

FYL-5463XXX1E

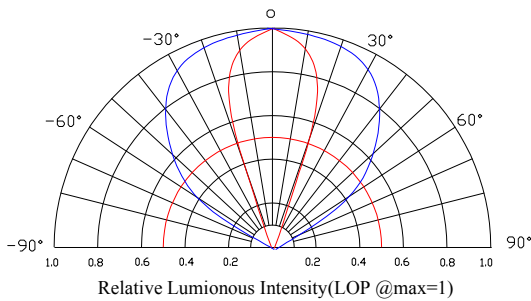
Features:

- General purpose leads
- RoHs compliant.

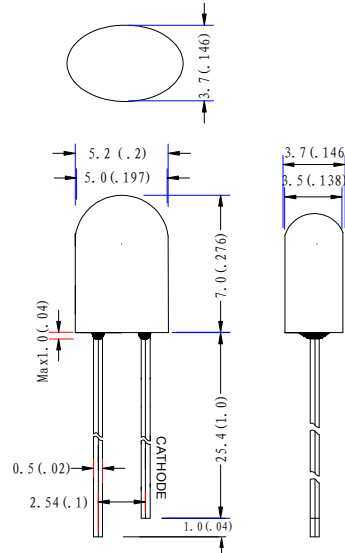
Descriptions:

- Dice material: GaP/GaAsP/InGaN/AlGaInP.
- Device Outline: $\Phi 5 \times 4$ mm ellipse Type.

Radiation pattern.



Package configuration



- ◆ All dimensions are millimeters (inches)
- ◆ Tolerance is $\pm 0.25\text{mm}(.010\text{'})$ unless otherwise noted.

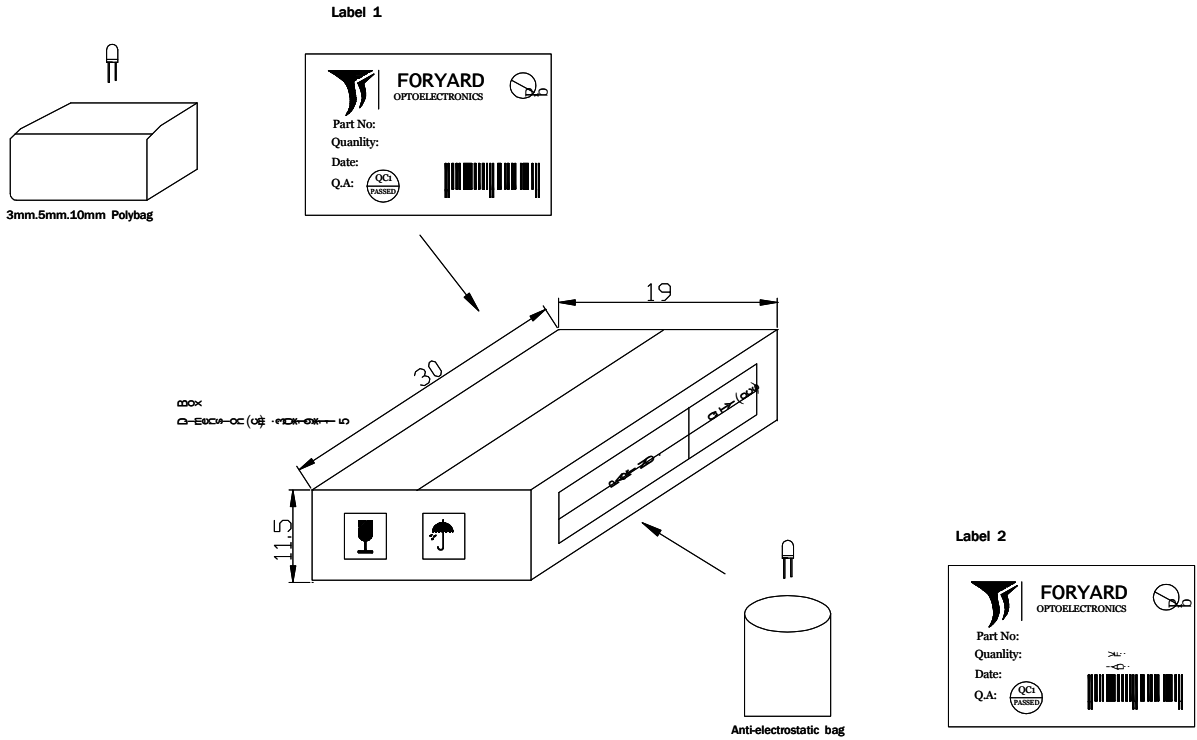
Absolute maximum ratings($T_a = 25^\circ\text{C}$)

Parameter	MAX.	Unit
Continuous Forward Current	20	mA
Derating Linear From 50°C	0.4	mA/ $^\circ\text{C}$
Reverse Voltage	5	V
Operating Temperature Range	-30°C to $+80^\circ\text{C}$	
Storage Temperature Range	-40°C to $+100^\circ\text{C}$	
Lead Soldering Temperature[4mm(.157") From Body]	260 $^\circ\text{C}$ for 5 Seconds	

Optical Characteristics at TA = 25° C,IF=20mA.

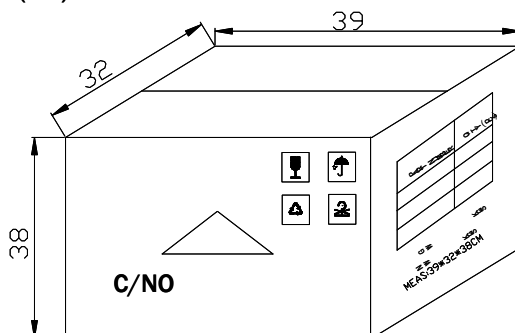
Part Number	Lens Color	Wave length (nm)	Intensity (mcd)	Angle ^{2 θ} 1/2
FYL-5463SURD1E	Red diffused	630	650	110/45
FYL-5463SURC1E	Water clear	630	1500	110/40
FYL-5463NURC1E	Water clear	630	1800	110/40
FYL-5463SUEC1E	Water clear	625	1300	110/40
FYL-5463SUAC1E	Water clear	610	1200	110/40
FYL-5463NUYC1E	Water clear	588	1800	110/40
FYL-5463PGD1E	Green diffused	520	4000	110/45
FYL-5463BGC1E	Water clear	505	6000	110/40
FYL-5463UBD1E	Blue diffused	470	1400	110/45
FYL-5463UBT1E	Blue transparent	470	1600	110/40
FYL-5464UWC1E-UWW	Water clear	X:0.43 Y:0.42 CCT:3500k	4200	110/40
FYL-5464UWC1E	Water clear	X:0.29 Y:0.30 CCT:9500k	4200	110/40

LAMP PACKING.



DEVICE	QTY/polybag(pcs)	Polybag/box A	Fig
5mm(T-1 3/4)	1000	8 bags	Label 1
3mm(T-1)	1000	10 bags	Label 1
10mm(T-1)	250	8 bags	Label 1
Blue/Green/White	500pcs	8 bags	Label 2

CARTON
 Dimension(cm):39*32*38



6 Boxes/Carton
 5mm:48,000pcs
 3mm:60,000pcs
 10mm:12,000pcs
 Blue/Pure Green/bluish Green
 /White:24,000pcs