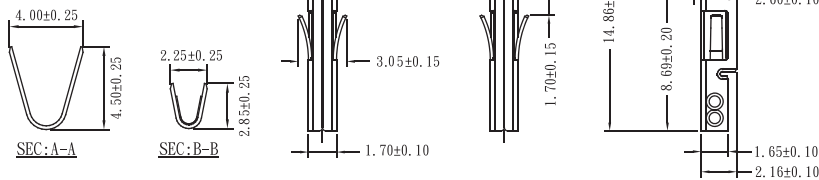


## 4.2mm Female Terminal / Male Housing / Crimp Male Housing

### Specifications

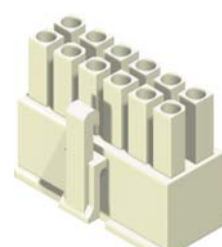
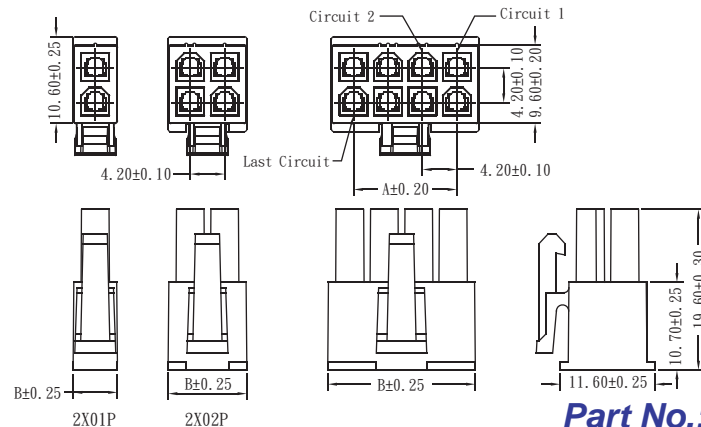
Current Rating: 9A AC,DC  
 Voltage Rating: 600V AC,DC  
 Temperature Range: 4200H: -25°C to +85°C  
 4200HA: -40°C to +105°C  
 Contact Resistance: 10mΩ Max  
 Insulation Resistance: 1000MΩ Min  
 Withstanding Voltage: 1500V AC/minute  
 Material: Nylon 66, UL94V-2



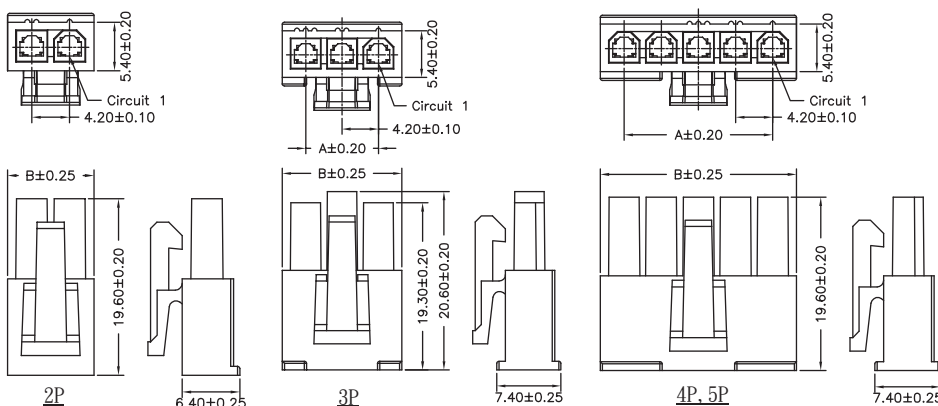
Part No.	Wire Range	Insulation O.D.	Material	Finish
4200-FTB-L	#16-#24	3.10mm(Max)	Brass	Tin Plated
4200-FTP-L			Phosphor Bronze	

Part No.:4200-FT-L

No. of Contacts	Dimensions	
	A	B
2x1	---	5.70
2x2	4.20	9.60
2x3	8.40	13.80
2x4	12.60	18.00
2x5	16.80	22.20
2x6	21.00	26.40
2x7	25.20	30.60
2x8	29.40	34.80
2x9	33.60	39.00
2x10	37.80	43.20
2x11	42.00	47.40
2x12	46.20	51.60



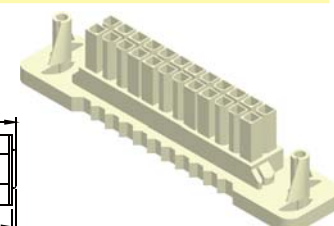
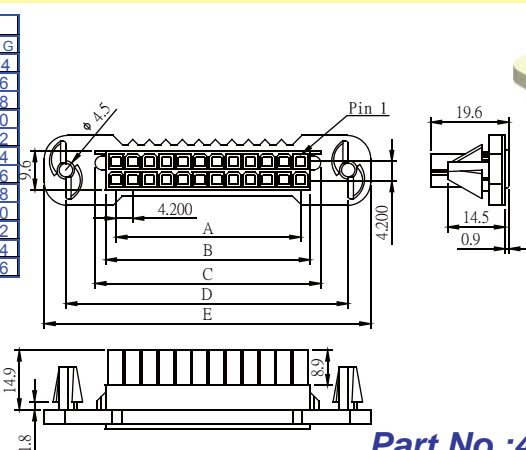
Part No.:4200H-M2XXW-L



No. of Contacts	A	B
02	4.20	9.60
03	8.40	13.80
04	12.60	18.00
05	16.80	22.20

Part No.:4200H-M1XXW-L

Dimensional Information (mm)							
Contacts	Dim. A	Dim. B	Dim. C	Dim. D	Dim. E	Dim. F	Dim. G
2x1	5.4	10.1	25.0	36.0	8.7	13.4	
2x2	4.2	9.6	14.3	29.2	40.2	12.9	17.6
2x3	8.4	13.8	18.5	33.4	44.4	17.1	21.8
2x4	12.6	18.0	22.7	37.6	48.6	21.3	26.0
2x5	16.8	22.2	26.9	41.8	52.8	25.5	30.2
2x6	21.0	26.4	31.1	46.0	57.0	29.7	34.4
2x7	25.2	30.6	35.3	50.2	61.2	33.9	38.6
2x8	29.4	34.8	39.5	54.4	65.4	38.1	42.8
2x9	33.6	39.0	43.7	58.6	69.6	42.3	47.0
2x10	37.8	43.2	47.9	62.8	73.8	46.5	51.2
2x11	42.0	47.4	52.1	67.0	78.0	50.7	55.4
2x12	46.2	51.6	56.3	71.2	82.2	54.9	59.6



Part No.:4200HA-M2XXW-L

