

ASK Super Heterodyne Low Cost Receiver

General Description:

The RX03 is Super Heterodyne receiver module for ASK 315 / 433.92MHz ISM band, which is SAW-based solution and can be used to receive undecoded / decode data from the range of Summitek Transmitter modules.

The module is very simple to operate and offer a low current consumption.

Data can be transmitted directly into a microprocessor or decoding device.

All receivers are compatible and only require connections to Power & Antenna.

Features:

- ⊙ ASK Demodulation
- ⊙ Frequency available: 315 or 433MHz
- ⊙ Super Heterodyne RF Receiver
- ⊙ Stable Operating Frequency
- ⊙ Low Current Consumption
- ⊙ Wide Operating Voltage:3~5VDC
- ⊙ High Sensitivity : -105dBm
- ⊙ Low cost



Application:

- ⊙ Wireless Security Systems
- ⊙ Garage Door Controller
- ⊙ Remote Gate Controls
- ⊙ Data Communications
- ⊙ Sensor Reporting

Order Information:

Part Number	Description
ST-RX03-A315	ASK Super Heterodyne Receiver, 315MHz
ST-RX03-A433	ASK Super Heterodyne Receiver, 433MHz

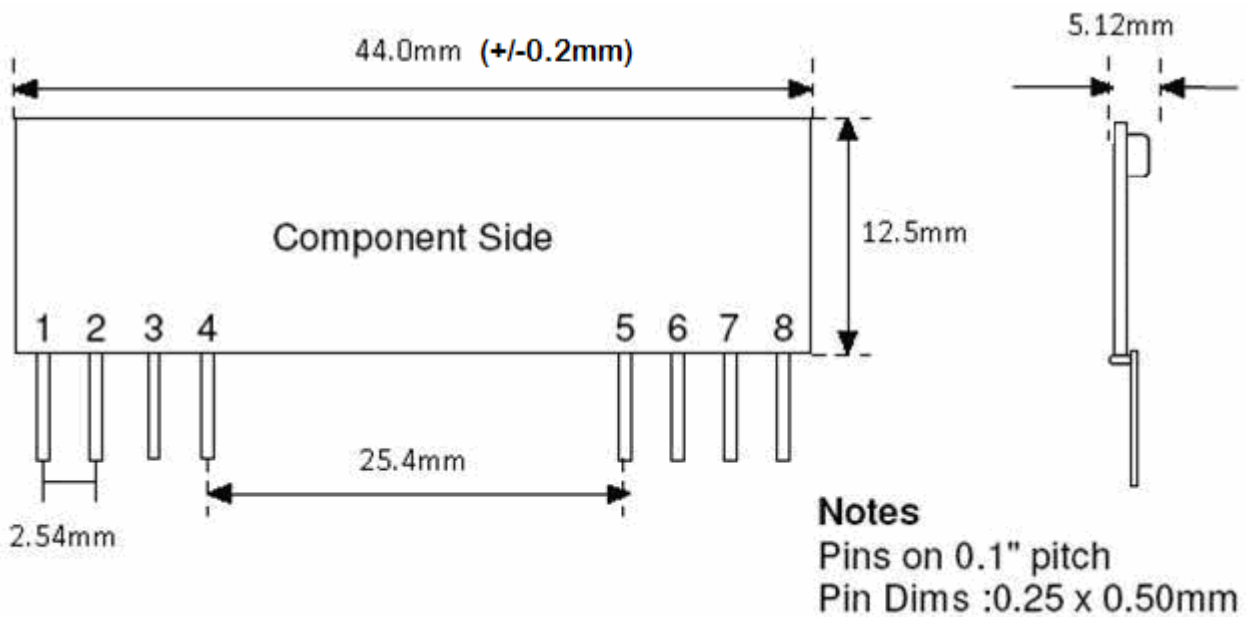
Other frequency can be customized by request.

Electrical Characteristics

Ambient temp=25 °C VCC=5V 1Kb/s AM99% Square-wave modulation

Characteristic	Min.	Typ.	Max.	Unit
Supply Voltage	2.5	5	5.5	Vdc
Supply Current	4.3	4.5	4.7	mA
RF Sensitivity		-105		dBm
Working Frequency		315/433.92		MHz
High Level Output	0.7Vcc			VDC
Low Level Output			0.3Vcc	VDC
Data Rate		1	5	Kbps
Bandwidth		800		KHz

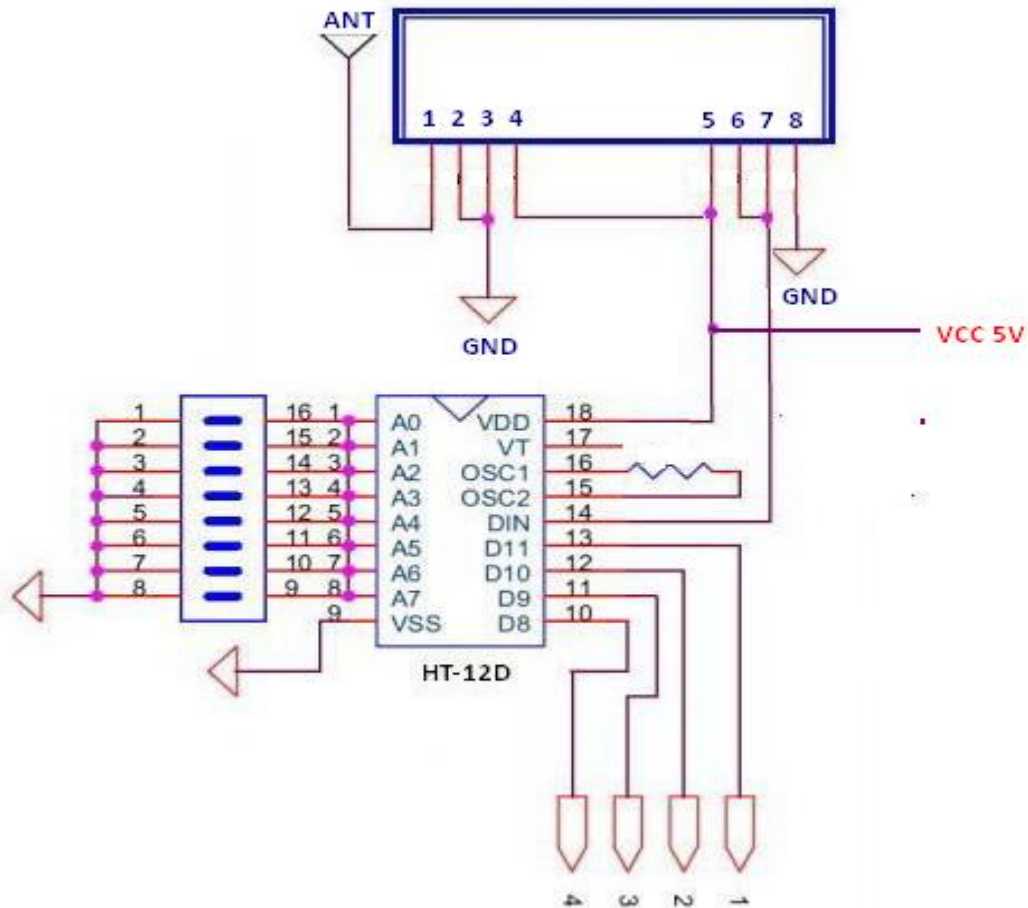
Mechanical Dimension:



Pin Descriptions:

1	ANT	5	VCC
2	GND	6	DATA
3	GND	7	DATA
4	VCC	8	GND

Typical Application:



* Antenna length about: 23cm for 315 MHz / 17cm for 434 MHz



SUMMITEK Technology Co.,Ltd.

1F,NO.16,LANE 32,SEC.1,WUNHUA ROAD,BANCIAO DIST.,NEW TAIPEI CITY,22055 TAIWAN

Tel :886-2-2969-6293

Fax:886-2-2969-7362

E-Mail:marketing@summitek.com.tw

http://www.summitek.com.tw