

CONNECTORS MANUFACTURER

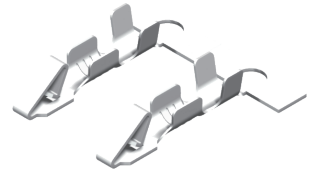
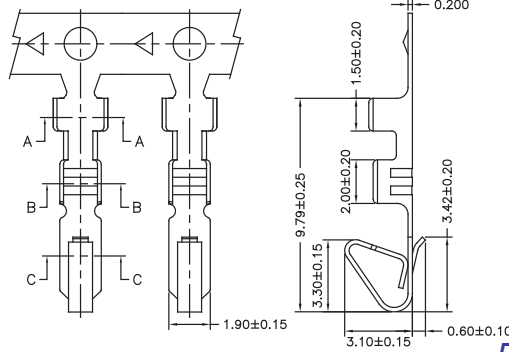
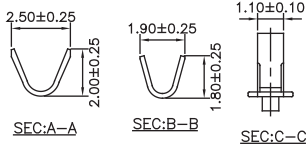


Old P/N.:2542 Series

2.54mm Terminal / Housing / Wafer Right Angle & Straight Type

Specifications

Current Rating: 4A AC,DC
 Voltage Rating: 250V AC,DC
 Temperature Range: -25°C to +85°C
 Contact Resistance: 10mΩ Max
 Insulation Resistance: 1000MΩ Min
 Withstanding Voltage: 1000V AC/minute
 Terminal: Brass / Tin Plated
 Material:Nylon 66,UL94V-2



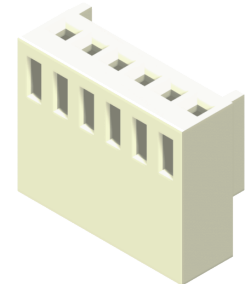
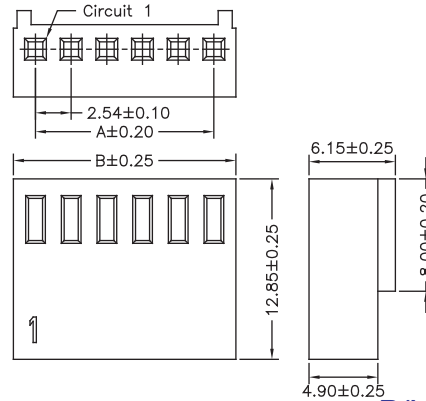
Part No.	Wire Range	Insulation O.D.	Material	Finish
5T2542N-BT0	#24-#30	1.57mm(Max)	Brass	Tin Plated
5T2542N-BG0				Gold Plated
5T2542N-PT0				Tin Plated

P/N.:5T2542N-XXR-01

P:Phosphor Bronze
 B:Brass

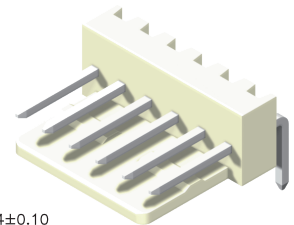
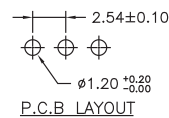
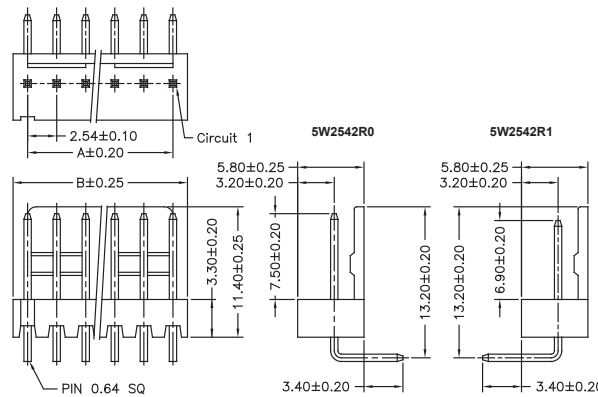
T0: Tin plated
 G0: Glod plated

No. of Contacts	Dimensions		No. of Contacts	Dimensions	
	A	B		A	B
2	2.54	5.68	12	27.94	31.08
3	5.08	8.22	13	30.48	33.62
4	7.62	10.76	14	33.02	36.16
5	10.16	13.30	15	35.56	38.70
6	12.70	15.84	16	38.10	41.24
7	15.24	18.38	17	40.64	43.78
8	17.78	20.92	18	43.18	46.32
9	20.32	23.46	19	45.72	48.86
10	22.86	26.00	20	48.26	51.40
11	25.40	28.54			



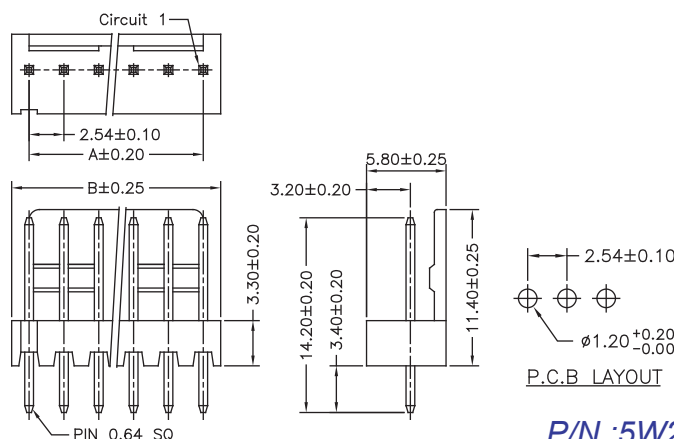
P/N.:5H2542N0-1XXWBL00-01

No. of Contacts	Dimensions	
	A	B
2	2.54	5.08
3	5.08	7.62
4	7.62	10.16
5	10.16	12.70
6	12.70	15.24
7	15.24	17.78
8	17.78	20.32
9	20.32	22.86
10	22.86	25.40
11	25.40	27.94
12	27.94	30.48
13	30.48	33.02
14	33.02	35.56
15	35.56	38.10
16	38.10	40.64
17	40.64	43.18
18	43.18	45.72
19	45.72	48.26
20	48.26	50.80

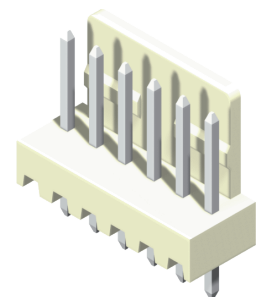


P/N.:5W2542R0-1XXT0WBL-01

5W2542R1-1XXT0WBL-01



P.C.B LAYOUT



P/N.:5W2542S0-1XXT0WBL-01

Housing Wafer Terminal



ROHS