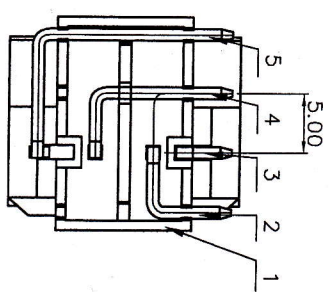
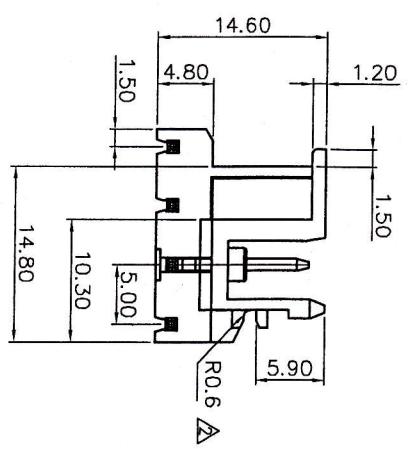
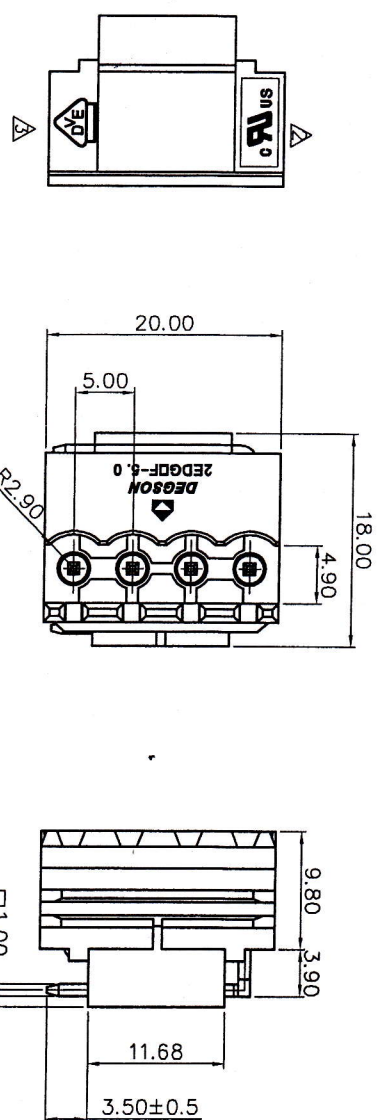


REVISION RECORD			
REV	ECN	DESCRIPTION	DRFT DATE
△	10-0177	增加U.L.刻字	Jordan Y 06/10/10*
△	11-0055	改善下压断裂, 直角改为圆角	Goldan 03/22/11*
△	14-0102	增加VDE刻字, 修改材料号	XM 05/20/14*



- NOTES:
1. DIMENSION SHALL BE INTERPRETED PER ASME Y14.5-2009.
 2. PITCH: 5.0MM, POLES: 04P
 3. RATED VOLTAGE/CURRENT: UL 300V/15A VDE 320V/20A
 4. OPERATION TEMPERATURES: -40°C~+105°C
 5. RATED IMPULSE VOLTAGE: 4.0KV
 6. INSULATION RESISTANCE: 5000MΩ/DC1000V
 7. UNDIMENSIONED TOLERANCES:

PITCH RANGE	NOMINAL DIMENSION RANGE	
	IN MM	IN MM
TO 6	OVER 10	OVER 30
TO 10	TO 24	TO 60
TO 15	TO 25	TO 100
TO 20	TO 30	TO 150
TO 25	TO 40	TO 200
TO 30	TO 50	TO 300
TO 40	TO 70	TO 500
TO 50	TO 100	TO 1000
TO 75	TO 150	TO 1500
TO 100	TO 200	TO 2000
TO 150	TO 300	TO 3000
TO 200	TO 500	TO 5000
TO 300	TO 1000	TO 10000
TO 500	TO 10000	TO 100000
TO 1000	TO 100000	TO 1000000



ITEM	NAME OF PART	NO. OF PART	QTY MATERIAL	NOTES
5	ZEDGLF-5.0 pin4	1	Copper	TIN PLATED
4	ZEDGLF-5.0 pin3	1	Copper	TIN PLATED
3	ZEDGLF-5.0 pin1	1	Copper	TIN PLATED
2	ZEDGLF-5.0 pin2	1	Copper	TIN PLATED
1	ZEDGRF-5.0-04P-Housing	1	PA66	UL94V-0

DETACHED LISTS

TOLERANCES EXCEPT AS NOTED

X ±	X ±
.XX ±	.XX ±
.XXX ±	.XXX ±

ANGLES ± 1°

THIRD ANGLE PROJECTION

APPR: *Jem 8/21/14*

CHKD: *Antel 5/1/14*

DRT: *Yongys 05/07/07*

PART NO.: **2EDGRF-5.0-04P-11-06A(H)**

FINISH:

MATERIAL:

NAME: **DEGSON** 宁波高正电子有限公司
DEGSON ELECTRONICS CO., LTD

TITLE: ASSEMBLY DRAWING

DRAWING NO.: ZEDGRF-5.0-E09

DO NOT SCALE DRAWING

SCALE: N/A

REV: T3

SHEET: 1/1

