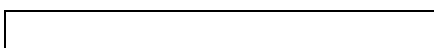


1. MECHANICAL:

1-01	Dimension	Dimension of fan shall be shown in the outline styling drawing attached.
1-02	Motor	Four-pole motor.
1-03	Frame	Plastic material UL 94V-0 (P.B.T).
1-04	Impeller	Plastic material UL 94V-0 (P.B.T).
1-05	Free drop shock	In minute package condition, the fan should withstand each one drop of three faces from 30cm distance height onto 10 mm thickness of wooden board.

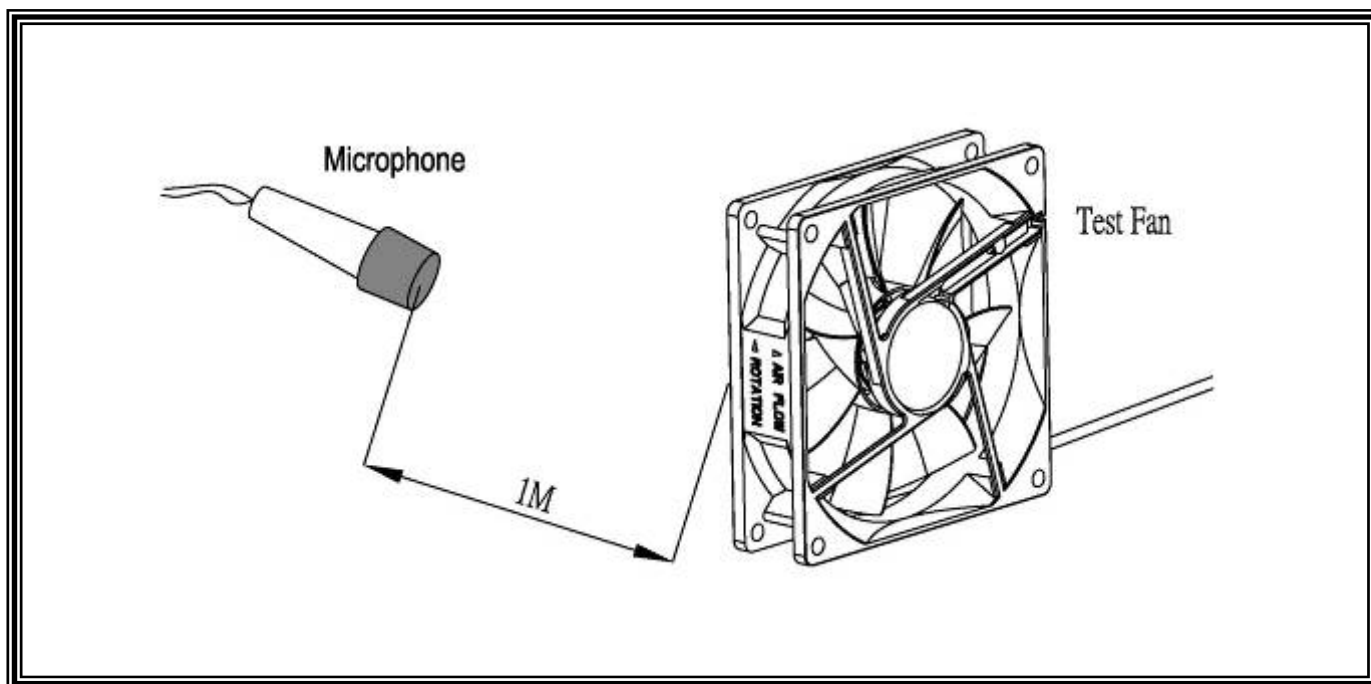
2.ELECTRICAL:

2-01	Rated current	Rated current shall be measured after 30 minutes continuous rotation at rated voltage.
2-02	Start voltage	The voltage that enable to start the fan by sudden switch on.
2-03	Rated Speed	Rated speed shall be measured after 30 minutes continuous rotation at rated voltage.
2-04	Input Power	Input power shall be measured after 30 minutes continuous rotation at rated voltage.
2-05	Lock Current	Locked current shall be measured Within one minute at rotor locked, after 30 minutes continuous rotation at rated voltage in clear air.
2-06	Insulation resistance	More than 10M ohm at 500 V.D.C between lead and housing.
2-07	Dielectric strength	Measured 5 mA(max) trip current at 700 V.A.C for 3 sec. between lead and housing.
2-08	Locked motor protection	Designed to meet UL, CUL and TUV.



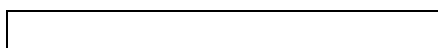
3.CHARACTERISTICS:

3-01	Air Flow & Static Pressure	The air flow data and static pressures should be determined in accordance with AMCA standard or DIM 24163 specification in a double- chamber testing with intake-side measurement.
3-02	Noise level	The measurement of noise level is carried out with reference to DIM 45635 in an echoic chamber with the microphone positioned 1 M from the air intake. Testing fan shall be hung in clean air.



4.ENVIRONMENTAL:

4-01	Operating temperature	-10°C to 70°C (ordinary humidity)
4-02	Storage Temperature	-40°C to 70°C (ordinary humidity)
4-03	Humidity	After 96 hrs, 95% RH 40±2°C per MIL-STD-202F method 103B, Humidity test , The measured data of insulation resistance & dielectric strength should meet the specification listed in attach.
4-04	Thermal Shock	After thermal shock test per MIL-STD-202F method 107D, Condition D, The measured data of insulation resistance & dielectric strength should the specification

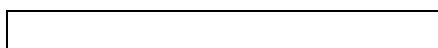


5.DATA-SHEET:

NO.	ITEM	SPECIFICATION	UNIT	CONDITION
5-1-01	Dimension	92*92*25	mm	-----
5-1-02	Bearing	Dual Ball	-----	-----
5-1-03	Rated Voltage	24.0	VDC	-----
5-1-04	Operating Voltage	12.0~ 27.6	VDC	-----
5-1-05	Start Voltage	12.0	VDC	On/off test
5-1-06	Speed	3500	R.P.M	±10%,At rated Voltage
5-1-07	Input Current	0.23	Amp	At rated Voltage
5-1-08	Input Power	4.2	Watt	At rated Voltage
5-1-09	Nominal Current	0.24	Amp	At rated Voltage
5-1-10	Air Flow	67.65	CFM	At 0 static Pressure of rated speed
5-1-11	Static Pressure	0.204	inchH ₂ O	At 0 air flow of rated speed
5-1-12	Noise	41.9	dBA	At rated speed
5-1-13	Life Expectancy(L10)	70,000	Hours	At 40°C
5-1-14	Motor protection	Electronic protected		
5-1-15	Polarity protection	It will not damage the fan while reverse input.		
5-1-16	Auto Restart	YES	-----	-----
5-1-17	Speed Signal output	NO	-----	-----
5-1-18	Alarm Signal output	NO	-----	-----
5-1-19	Rotation direction	From the label side	-----	Clockwise
5-1-20	Weight	85	Gram	Per each piece
5-1-21	Safety Certificate	CE	-----	-----

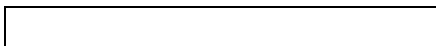
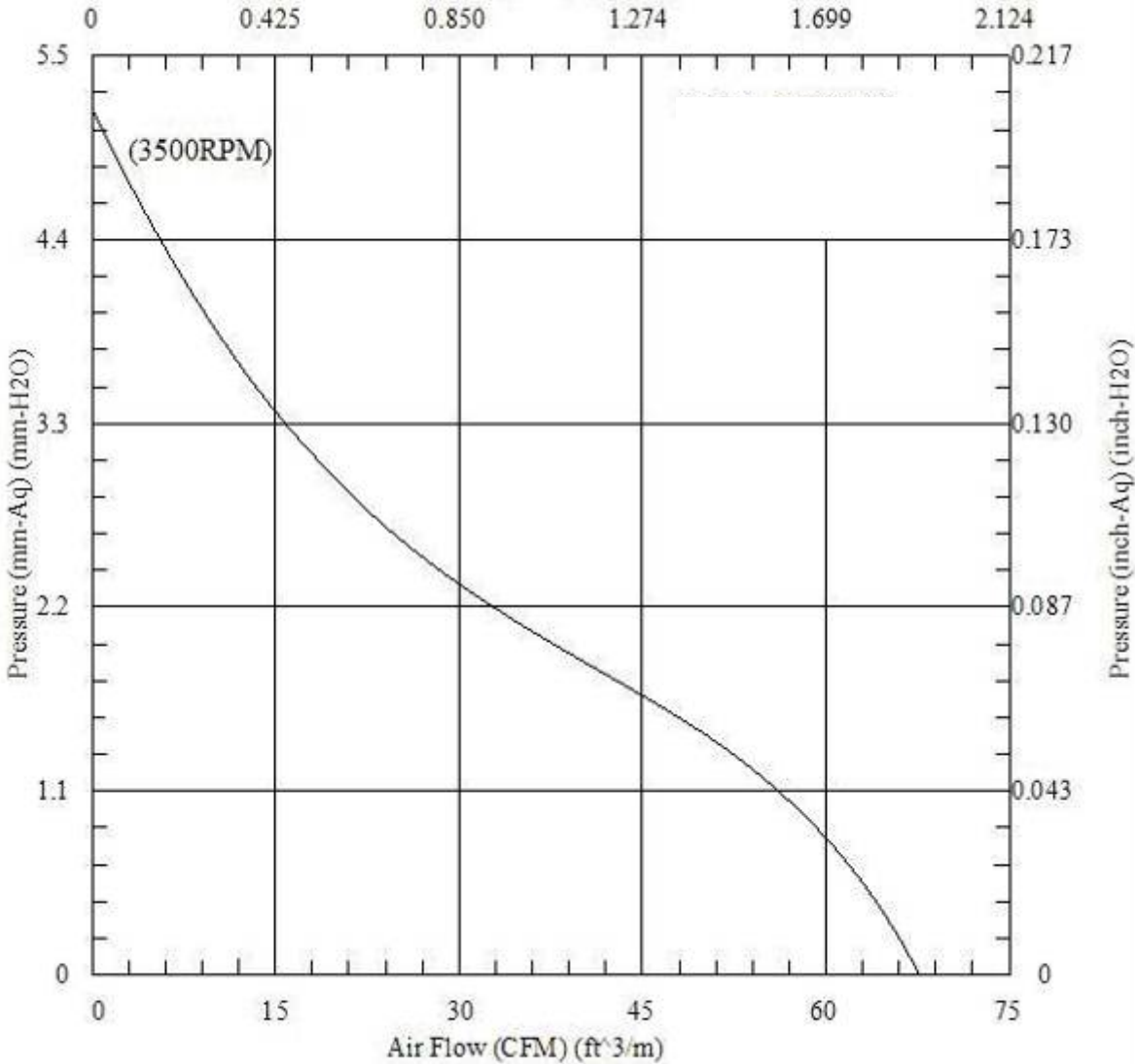
5-2. LEAD WIRE:

NO.	ITEM	SPECIFICATION			
5-2-01	AWG NO. & Authorize	24AWG , UL1007(The end of wire with tin as drawing)			
5-2-02	Color	=	+		
		Black	Red		
5-2-03	Line Length	255±10 mm			
5-2-04	Connector	Notes as: Not available			
5-2-05	Tube	NO			

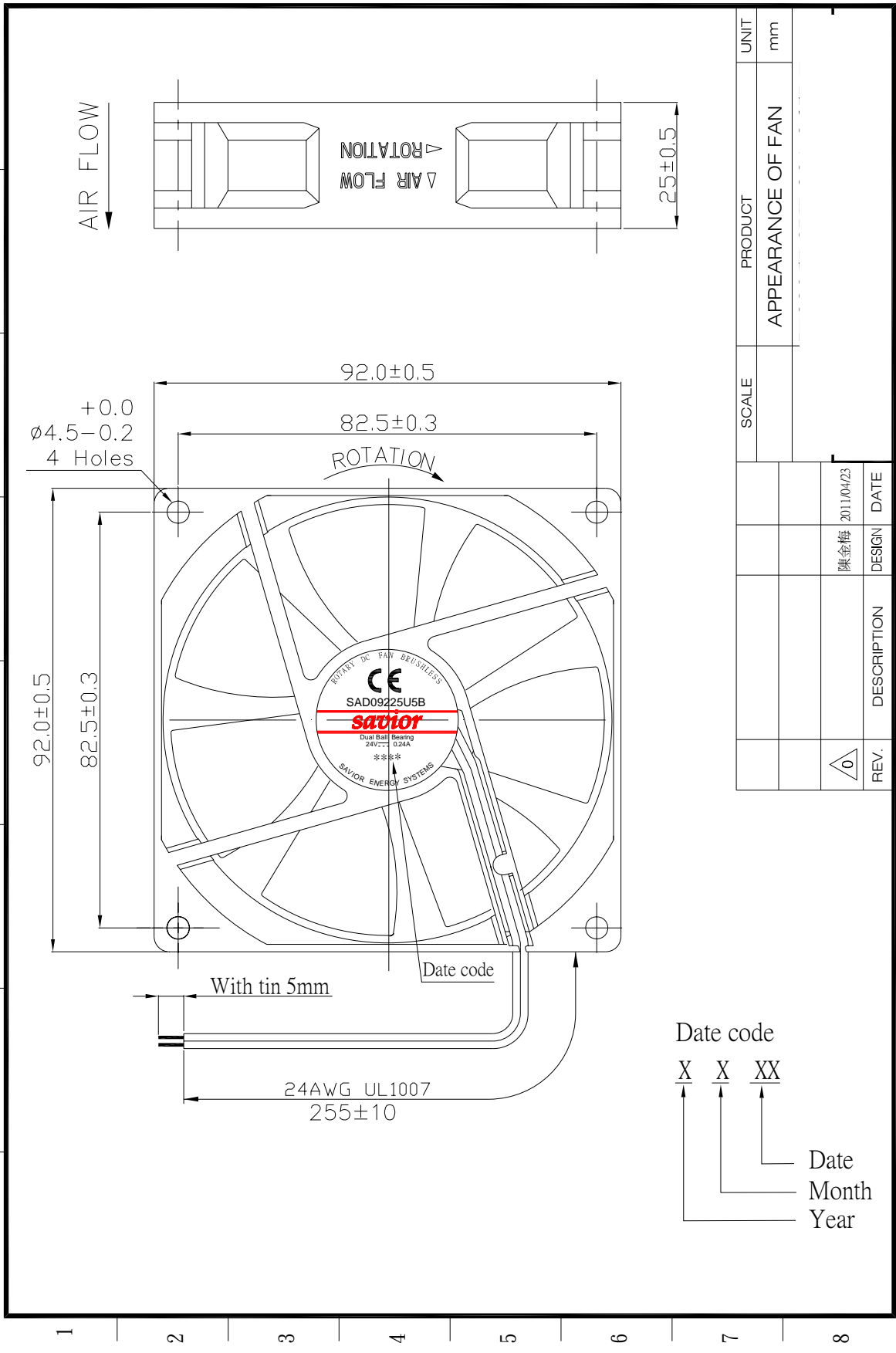


FAN PERFORMANCE CURVES

Air Flow (CMM) (M³/m)



A B C D E F G H



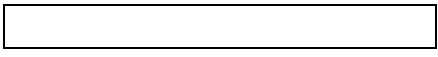
Date code

X X XX

↑ ↑ ↑

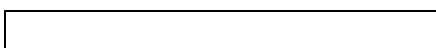
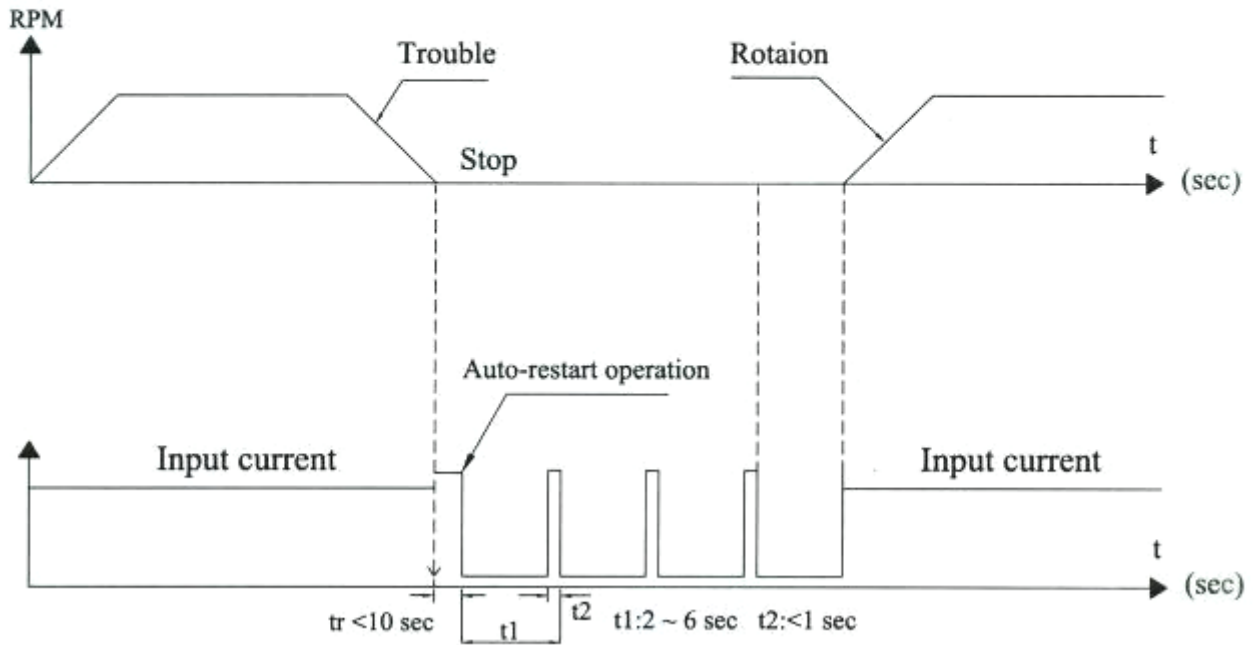
Date
Month
Year

SCALE	PRODUCT	UNIT
	APPEARANCE OF FAN	mm
REV.	DESCRIPTION	DATE
0		2011/04/23
	DESIGN	DATE
	陳金梅	



Auto-restart

Fan motor speed



CE

SPORTON LAB.

Certificate No.:

EC2D2008-05

CERTIFICATE

- **EQUIPMENT:** Fan with DC motor
MODEL NO. : SADx1x2x3x4x5, SADx1x2x3x4x5-1
APPLICANT : Savior Kontrol Otomasyon Sistemleri Elektronik
Sanayi ve Ticaret A.S.
Des Sanayi Sitesi. 104. Sok. A07 Blok, No:2
Y. Dudullu, Istanbul - TURKEY



I HEREBY

CERTIFY THAT:

THE MEASUREMENTS SHOWN IN THIS TEST REPORT WERE MADE IN ACCORDANCE WITH THE PROCEDURES GIVEN IN **EUROPEAN COUNCIL DIRECTIVE 2004/108/EC**. THE EQUIPMENT WAS **PASSED** THE TEST PERFORMED ACCORDING TO **European Standard EN 55022:2006 Class B, EN 61000-3-2:2006, EN 61000-3-3:1995/A1:2001/A2:2005 and EN 55024:1998/A1:2001/A2:2003 (IEC 61000-4-2:1995/A2:2000, IEC 61000-4-3:2006, IEC 61000-4-4:2004, IEC 61000-4-5:2005, IEC 61000-4-6:2006, IEC 61000-4-8:1993/A1:2000, IEC 61000-4-11:2004)**. THE TEST WAS CARRIED OUT ON **May 28, 2008 AT SPORTON INTERNATIONAL INC. LAB.**

A handwritten signature in blue ink, appearing to read 'Castries Huang', is written over a horizontal line.

Castries Huang

Supervisor

Certificate No: EC2D2008-05

ACCORDING TO European Standard EN 55022:2006 Class B,
EN 61000-3-2:2006, EN 61000-3-3:1995/A1:2001/A2:2005 and
EN 55024:1998/A1:2001/A2:2003 (IEC 61000-4-2:1995/A2:2000,
IEC 61000-4-3:2006, IEC 61000-4-4:2004, IEC 61000-4-5:2005,
IEC 61000-4-6:2006, IEC 61000-4-8:1993/A1:2000, IEC 61000-4-11:2004).

More detail information of Model No.:

SADx1x2x3x4x5 or SADx1x2x3x4x5-1

x1 (Diameter / Width (mm))

025 = 25x25mm
030 = 30x30mm
040 = 40x40mm
050 = 50x50mm
060 = 60x60mm
070 = 70x70mm
080 = 80x80mm
092 = 92x92mm
020 = 20x20mm
035 = 35x35mm
045 = 45x45 mm
120 = 120x120mm
172 = Ø172 or 172x150mm

x2 (Thicknes (mm))

06 = 6mm
07 = 7mm
09 = 9mm
10 = 10mm
12 = 12mm
15 = 15mm
20 = 20mm
25 = 25 or 25 4mm
32 = 32mm
38 = 38mm
51 = 51mm

x3 (Speed)

T or 7 means speed higher than U or 6 speed code.
U or 6 means speed higher than S or 5 speed code.
S or 5 means speed higher than H or 4 speed code.
H or 4 means Standard-higher speed code
M or 3 means Middle speed code
L or 2 means Low speed code
E or 1 means speed Lower than L speed code
V or 0 means speed Lower than E speed code

x4 (Voltage)

3 = 5V
4 = 12V
5 = 24V
6 = 48V

x5 (Bearing)

B = Dual Ball
S = Sleeve
C = Ball + Sleeve
H = HTLS