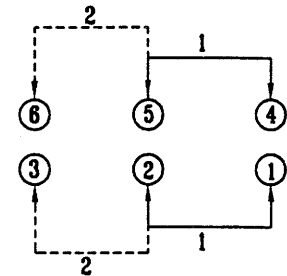
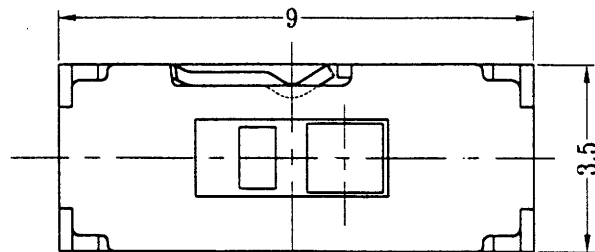
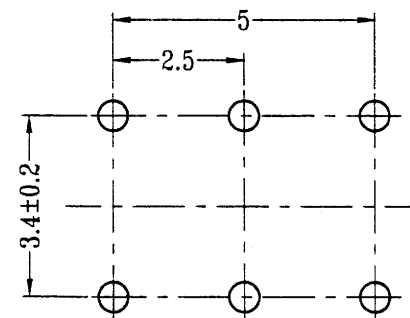
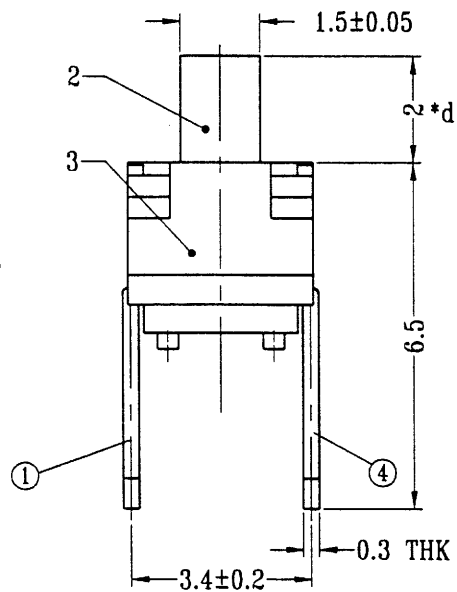
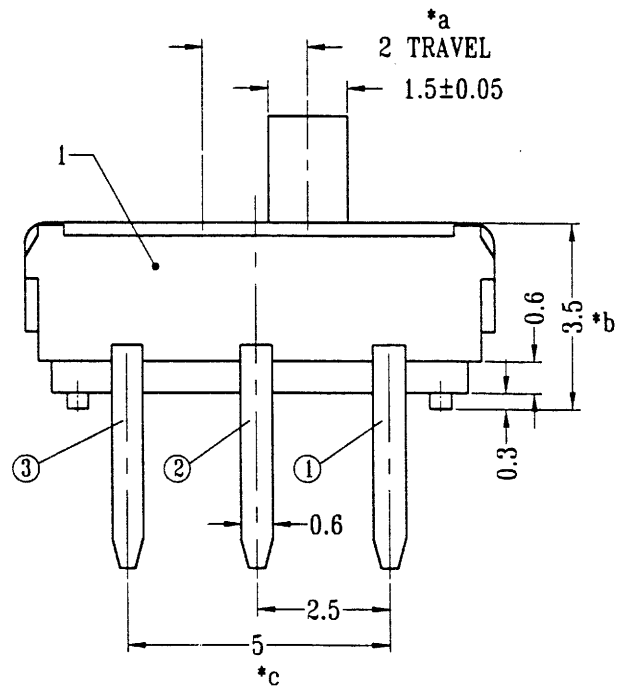


CAD FILE:



SCHEMATIC



P.C.B LAYOUT

注：“*”表示關鍵尺寸(4個)。

NO.	PART NAME	MATERIAL	Q'TY	FINISHING	TOLERANCE UNLESS SPECIFIED	ISSUE	DATE	DESCRIPTIONS	APPD.
8									
7									
6					WITHIN: 1.5±0.1mm	C	16-Feb-2004	膠座材料原為: NYLON+F.G	黃文傑
5					OVER: 1.5±0.2mm	ISSUE	DATE	DESCRIPTIONS	APPD.
4	CONTACT	0.08mm PBS C5210R-EH	2	Ag CLAD	TITLE: MINI SLIDE SWITCH			UNIT: MM	DRWG NO.: SF-DR-MS22D16-00
3	COVER	0.25mm SUS	1	WASHING	MODEL: MS-22D16			SCALE: 7:1	DWN. 韋中敏 16-Feb-2004
2	KNOB	NYLON+F.G	1	WHITE/BLACK	WEALTH METAL FACTORY LTD.			CHK'D 劉曉文 16/Feb/2004	
1	CASE	PA46/0.3mm BRASS STRIP	1	BLACK/Ag PLATED OVER Ni PLATED				APPD. 黃文傑 16Feb2004	