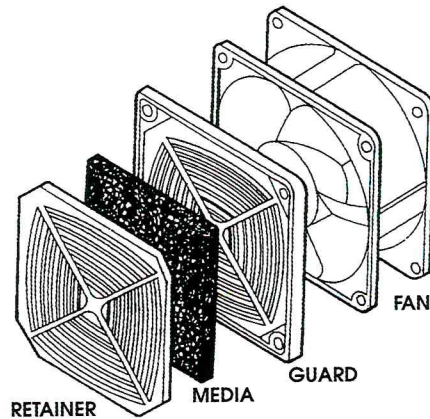
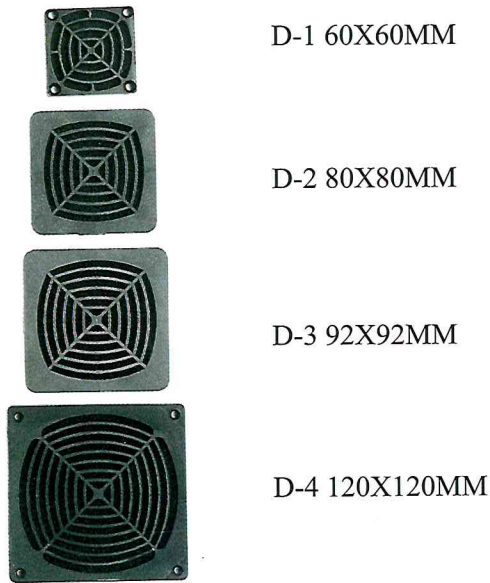
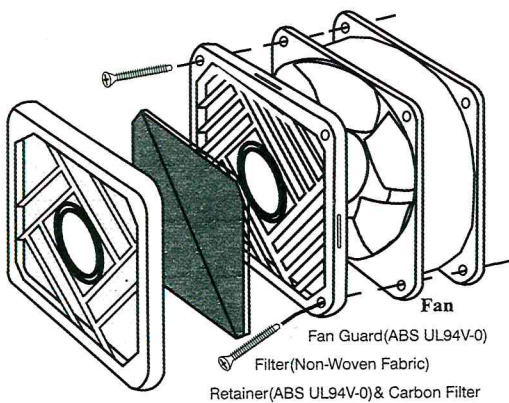


SAVIOR ACCESSORIES

PLASTIC FAN FILTER KITS

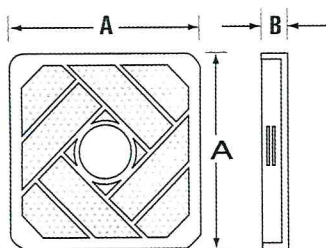


- GUARD: PLASTIC UL 94V-0
- RETAINER: PLASTIC UL 94V-0
- MEDIA: PU FOAM 30 OR 45PPI



■ DIMENSION: (UNIT IN m/m)

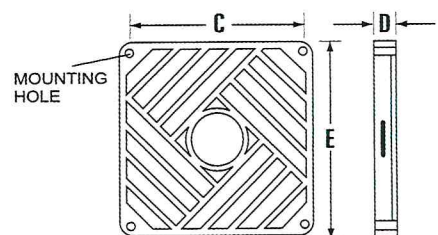
MODEL NO.	FAN SIZE	DIM. A	DIM. B	DIM. C	DIM. D	DIM. E	MOUNTING HOLE DIA.
E-1	60	65.0	9.5	50.0	5.0	61.0	3.8
E-2	80	85.3	12.3	71.5	6.0	81.0	3.8
E-3	92	95.8	12.3	82.5	6.0	92.8	3.8
E-4	120	125.7	12.3	104.8	6.0	121.4	5.1



Retainer+Carbon Filter



Filter (Density=Low, Medium, or High)



Fan Guard