



SPECIFICATIONS

Model No.

FYD2035C-01

Page

1/5

1. ELECTRICAL AND ACOUSTICAL SPECIFICATION

Item		Specifications
1-1	Dimension	35×20×T5.8
1-2	Rated Input Power	1.0W
1-3	Max Input Power	2.5W (white noise / 1 min)
1-4	Nominal Impedance	8±15% (AT 1kHz 1Vrms sine wave)
1-5	Resonance Frequency(f0)	650±20%Hz (Without baffle)
1-6	Sound Pressure Level	90±3 dBat 0.1W/0.1m With baffle0.8KHz、1KHz、1.2KHz、1.5KHz (AVE)
1-7	Frequency Range	FoHz ~ 20kHz (Application: full audible signals)
1-8	NON-LINEAL Distortion Factor	Less than max 5% (1kHz /1.0V, sine wave)
1-9	Polarity	When a positive DC Current is applied to the voice coil terminal marked +or red ,the diaphragm shall move forward
1-10	OperationTest	Must be normal at sine wave and program source2.0W.
1-11	Buzz,Rattle,etc.	Should not be audible at 4.0V sine wave between (f0 Hz ~ 20000Hz)
1-12	Storage Temp Range	-45℃ ~ +90℃
1-13	Appearance	Should not exist any obstacle to be harmful to normal operation;damages,cracks,rusts and distortions,etc.

Issue No	Description	Date	Issue	Check	Approval



SPECIFICATIONS

Model No.

FYD2035C-01

Page

2/5

2.ENVIRONMENTAL TEST

Item		Specifications
2-1	High temp. Test	Precondition at +25°C for 1 hour. Then expose to +85°C ,duration 96 hours duration of recovery 2 hours.
2-2	Low temp. Test	Precondition at +25°C for 1 hour. Then expose to -40°C ,duration 96 hours duration of recovery 2 hours.
2-3	Humidity test	70°C,85%RH,48 hours, Duration of recovery: 2hrs of conditions at 20°C.
2-4	Thermal cycle test.	Each temperature cycle shall consist of 2 hours at +25°C followed by 2 hours at +85°C, and followed by 2 hours at -20°C with a 20 to 40 minutes transition time between each 2 temperature extremes. The test duration is for 10 cycles.
2-5	Vibration	10~55~10Hz sin-wave sweep 15min. 5G(constant) X,Y, Z 3 direction. 2 hours each, total 6 hours.
2-6	Drop test	Standard packaging from 1.5m(on the concrete 1 corner, 3sides, 6 plain)
2-7	Load test	Rated Power white noise is applied for 96 hours
2-8	Max Power test	White noise (EIA filter) for 96 hours @2.0 W (4V) input power.
2-9	Terminal strength test	Capable of withstand 1kg load for 15seconds without resulting in any damage or rejection.

PASS CRITERION :

After these test , the change of S.P.L shall be within ± 3 dB .

Issue No	Description	Date	Issue	Check	Approval

SPECIFICATIONS

Model No.

FYD2035C-01

Page

3/5

3.MEASURING METHOD

3-1 . Test Method:

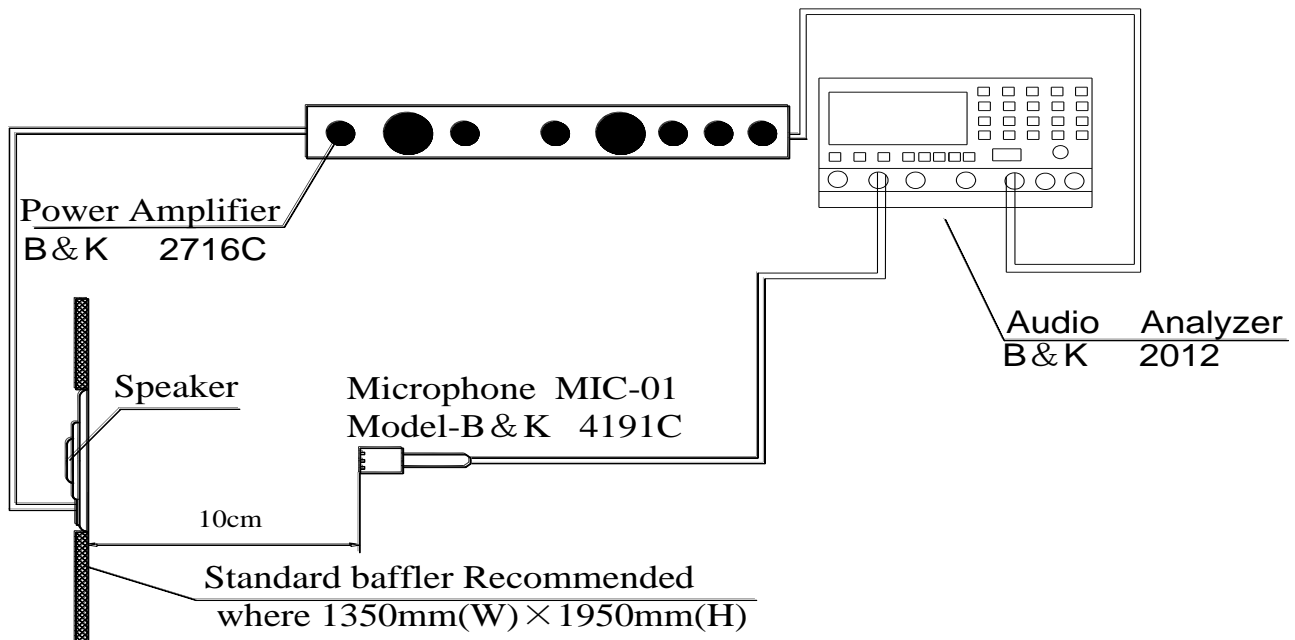
Sound pressure level reference : 0db=20ubar

Measuring distance: 0.1M/Axis Relative humidity : 0.1M/Axis

Apply power : 0.1W/0.89V(Sine wave)

Frequency sweep range : 100Hz-20KHz Sweep rate 1/12 Octave

Test condition : 23°C to 25°C/Relative humidity 55% Max



Issue No	Description	Date	Issue	Check	Approval



SPECIFICATIONS

Model No.

FYD2035C-01

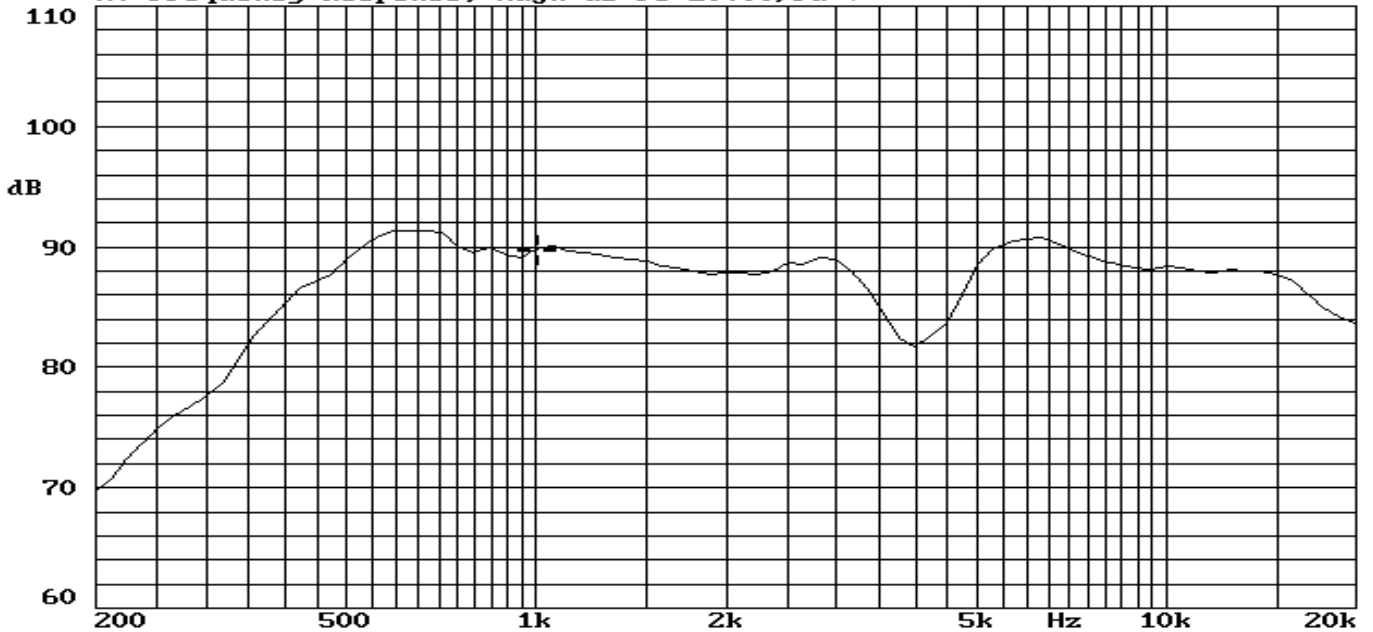
Page

4/5

4.FREQUENCY RESPONSE CURVE

X:1.0000kHz Y:89.75dB ZA:Live Curve

A: Frequency Response, Magn dB re 20.00µPa/U



25-OCT-2007 13:09:16

Mode: SSR



Issue No	Description	Date	Issue	Check	Approval

SPECIFICATIONS

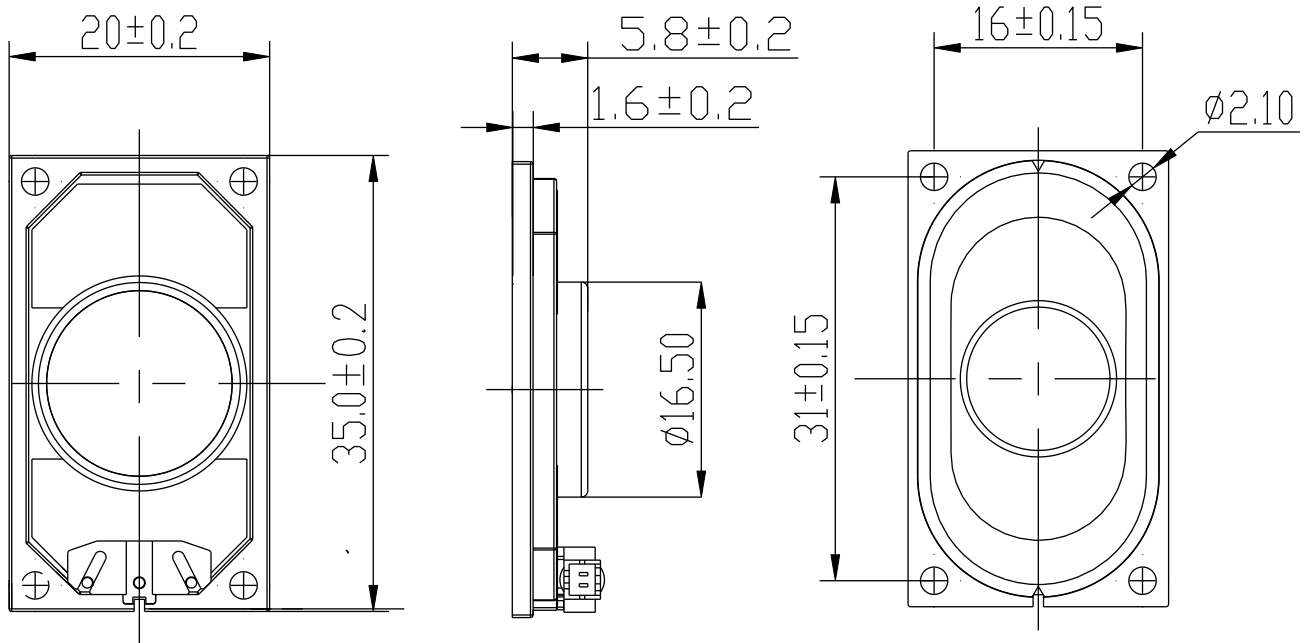
Model No.

FYD2035C-01

Page

5/5

5.DIMENSIONS



Issue No	Description	Date	Issue	Check	Approval

SPECIFICATIONS

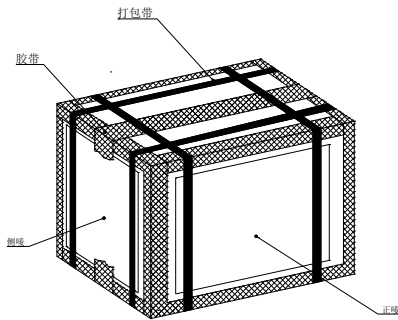
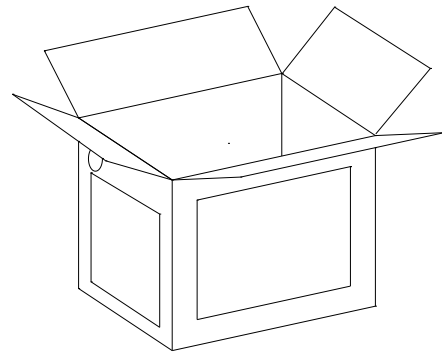
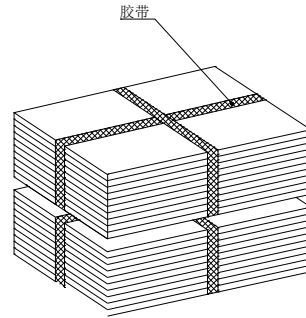
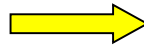
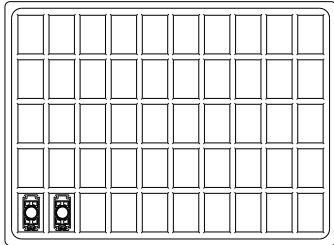
Model No.

FYD2035C-01

Page

6/6

6. PACKING



注:

- 1.每一吸塑盒装 50PCS.
- 2.每一外箱装 20 层 1000PCS
- 3.外箱尺寸 35×25.5×26.5 CM

Issue No	scription	Date	Issue	Check	Approval
----------	-----------	------	-------	-------	----------