



SDC105RHP SERIES

SMD Shielded Power Inductors



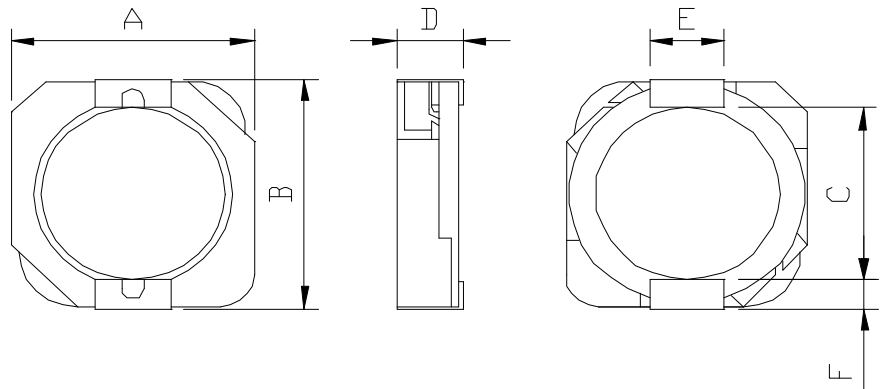
RoHS Compliant

PART NUMBERING SYSTEM

<u>SDC</u>	<u>105RHP</u>	—	<u>220M</u>	—	<u>LF</u>
TYPE	DIMENSIONS		INDUCTANCE		LEAD FREE

SHAPES AND DIMENSIONS

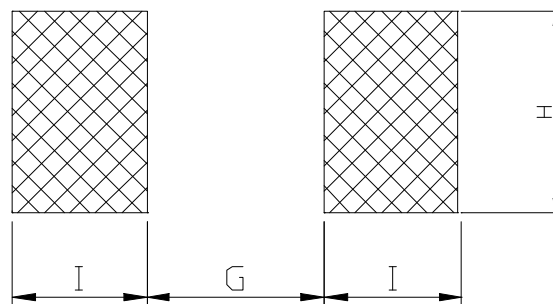
UNIT : mm



A=10.3 max. B=10.5 max. C=7.70 REF D=5.1 max. E=3.0 REF F=1.2 REF

RECOMMENDED PATTERNS

UNIT : mm



H= 3.2 G= 7.30 I = 1.60 J =1.60

FEATURES

- Compact and Low profile (5.1mm max. height) and 10.3mmx10.5mm max. square.
- Magnetically shielded and low DC resistance ..
- Choke coils for DC-DC converter inductor , LCD panels , DVD players Computer and portable power devices applications .



SDC105RHP SERIES

SMD Shielded Power Inductors



RoHS Compliant

ELECTRICAL CHARACTERISTICS :

PART NUMBER	INDUCTANCE (μ H)	DCR (m Ω) (Max.)	Isat (A) (Max.)	Irms (A) (Max.)	TEST FREQ. (f)
SDC105RHP-1R1N-LF	1.1 \pm 30%	7.6	16.0	9.20	100KHz
SDC105RHP-1R5N-LF	1.5 \pm 30%	9.2	12.0	8.20	100KHz
SDC105RHP-3R0N-LF	3.0 \pm 30%	14.5	9.8	6.50	100KHz
SDC105RHP-4R2N-LF	4.2 \pm 30%	16.7	8.7	6.00	100KHz
SDC105RHP-5R6N-LF	5.6 \pm 30%	21.9	7.8	5.20	100KHz
SDC105RHP-7R2N-LF	7.2 \pm 30%	24.2	6.6	4.80	100KHz
SDC105RHP-100M-LF	10 \pm 20%	33.8	5.7	3.70	100KHz
SDC105RHP-150M-LF	15 \pm 20%	42.5	4.8	3.40	100KHz
SDC105RHP-220M-LF	22 \pm 20%	61.5	4.0	2.80	100KHz
SDC105RHP-330M-LF	33 \pm 20%	81.9	3.2	2.40	100KHz
SDC105RHP-470M-LF	47 \pm 20%	115	2.7	2.00	100KHz
SDC105RHP-560M-LF	56 \pm 20%	126	2.5	1.90	100KHz
SDC105RHP-680M-LF	68 \pm 20%	158	2.2	1.80	100KHz
SDC105RHP-820M-LF	82 \pm 20%	198	2.0	1.50	100KHz
SDC105RHP-101M-LF	100 \pm 20%	223	1.8	1.40	100KHz
SDC105RHP-121M-LF	120 \pm 20%	278	1.6	1.30	100KHz
SDC105RHP-151M-LF	150 \pm 20%	391	1.5	1.10	100KHz
SDC105RHP-181M-LF	180 \pm 20%	482	1.3	0.95	100KHz
SDC105RHP-221M-LF	220 \pm 20%	567	1.2	0.80	100KHz
SDC105RHP-331M-LF	330 \pm 20%	809	1.0	0.75	100KHz

- Isat : DC current at which the inductance drops 35% (typ) from its value without current.
- Irms: The actual current when temperature of coil becomes $\Delta 40^{\circ}\text{C}$. (Ta=+25 $^{\circ}\text{C}$)
- Operating temperature range -40 $^{\circ}\text{C}$ to +125 $^{\circ}\text{C}$, Electrical specifications at 25 $^{\circ}\text{C}$.
- Packing : 13" reel, machine-ready ,embossed plastic tape (1,000 parts per full reel).



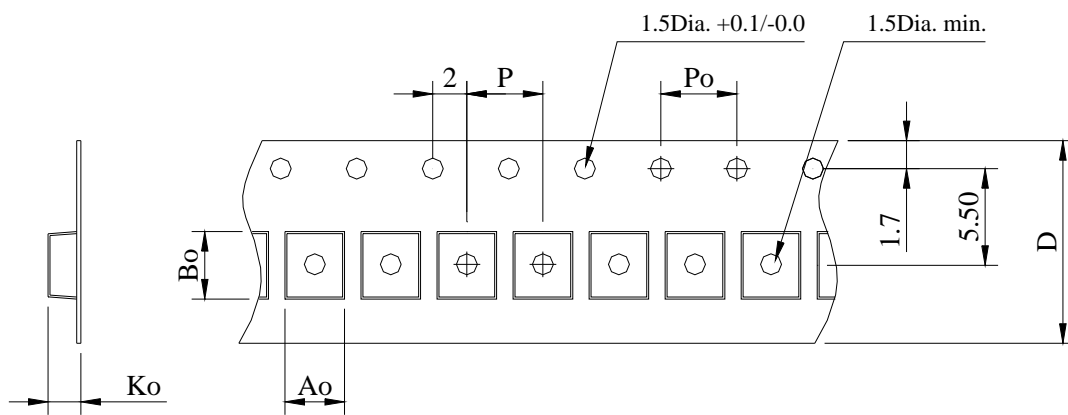
SDC105RHP SERIES

SMD Shielded Power Inductors



RoHS Compliant

PACKAGING SPECIFICATION



STAYLE	Q' TY (PCS)	DIMENSIONS (m/m)					
		A_o	B_o	K_o	P	P_o	$D \pm 0.3$
13"	500	10.4	10.4	5.1	16.0	4.00	24.0