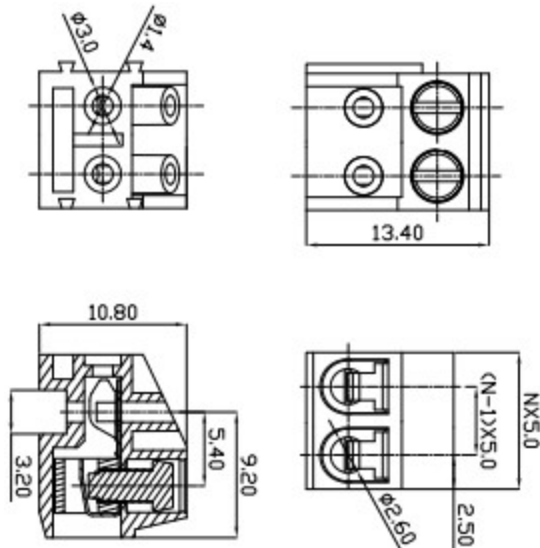






DG332K-5.0



APPROVAL		
Electrical		
Standard	UL	IEC
Rated voltage	300V	250V
Rated current	10A	12A
Wire range	28-16AWG	1.5mm ²
Withstanding voltage	AC2000V/1Min	
Mechanical		
Torque	0.4Nm(3.5Lb-In)	
Ambient temperature	-30°C ~ +120 °C	
Strip length	5-6mm	
Dimensions		
Pitch	5.0mm(.197")	
Poles	2P,3P-24P	
Material		
Housing	PBT,UL94V-0	
Screws	M2.5,steel, C ³⁺ Zn;planted	
Contact	Phosphor bronze	
Cage:	Brass Ni plated	

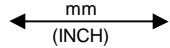

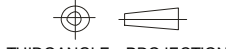
HOW TO ORDER :

DG332k-5.0 - **P** - **1** -
Customer Request

Series number **No.of pole** **Color**

1	Single pitch
2	Double pitch

1	Grey	4	Green	7	Trans Parent
2	Blue	5	Orange	8	Yellow
3	Black	6	Red	9	White

	 DEGSON ELECTRONICS CO., LTD.
 THROANGLE PROJECTION	NAME DG332K-5.0