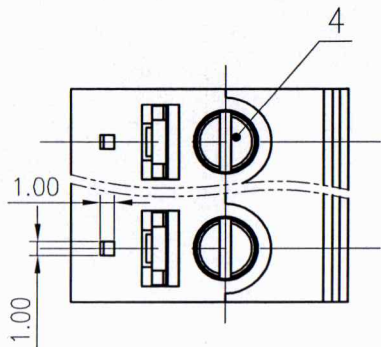
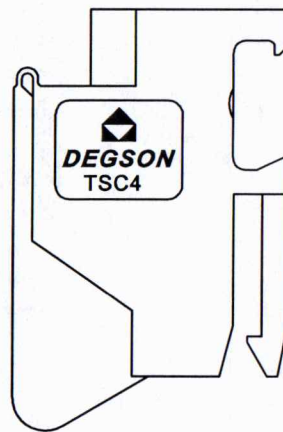
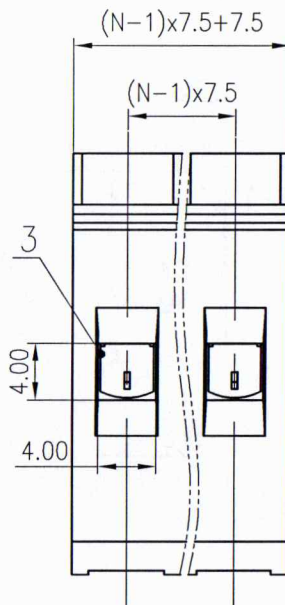
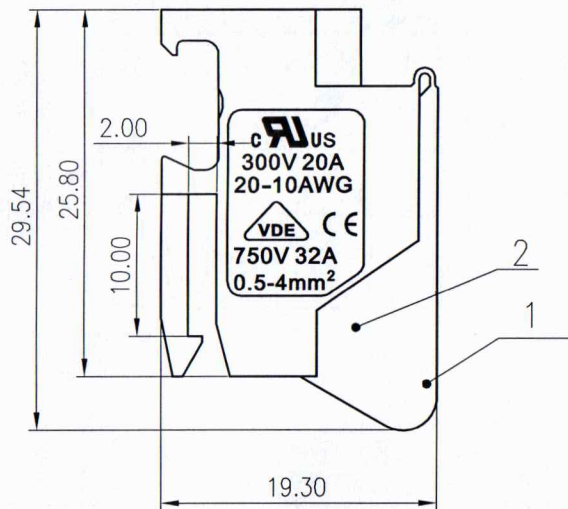


未注公差/General tolerances(mm)											0.1/10			
0	>3	>6	>10	>18	>30	>50	>80	>120	>180	>250				
~3	~6	~10	~18	~30	~50	~80	~120	~180	~250	~315	~400	~500	>500	±2'
±0.12	±0.18	±0.22	±0.26	±0.31	±0.37	±0.57	±0.80	±0.93	±1.05	±1.15	±1.60	±2.20	±2.50	



仅供参考图
 签字: 张红华
 日期: 11/06.20



4	Screw	Steel	M3.5/Zn Plated
3	Cage	Brass	M3.5/Ni Plated
2	Pin header	Copper	Sn Plated
1	Housing	PA66	UL94V-0

ITEM	NAME OF PART	MATERIAL	NOTES
UL 标准/UL Standard:		B	C
额定电压/电流/Rated Voltage(V)/Current(A)		300/20	300/20
IEC 标准/IEC Standard:			
过压类别/Overvoltage Category/污染等级/Pollution Degree		III/2	
额定电压/电流/Rated Voltage(V)/Current(A)		750/32	
工频耐压/Withstanding voltage		AC2000V/1Min	
螺丝扭矩/Torque Tightening(N·m/Lb.in)		M3.5, 0.8/7.08	
线径范围(硬线和软线)/Wire Range(rigid and flexible)(mm²/AWG)		0.5~4/20~10	
间距/Pitch(mm)/线数范围/Poles		7.5/N=01~02P	
剥线长度/Stripping length(mm)		10~12	
使用温度范围/Operating temperature(°C)		-40~+105	
符合RoHS环保要求/Conform to RoHS		Yes	
标准颜色编号/Standard color number: RAL		RAL 2000	

MATERIAL: /	SURFACE: /		
MAT NO.: /	宁波高松电子有限公司 NINGBO DEGSON ELECTRICAL CO., LTD		
STATUS: /			
APPD: /	NAME: TSC4-XXP-15-01A(H)		
CHKD: /	DRAWING NO.: TSC4-C02		
DRFT: CenMZ 2020.05.19	REV	TO	
⊕	SIZE: A4	SCALE: 2:1	SHEET 1/1

REV	ECN	DESCRIPTION	DRFT	DATE