

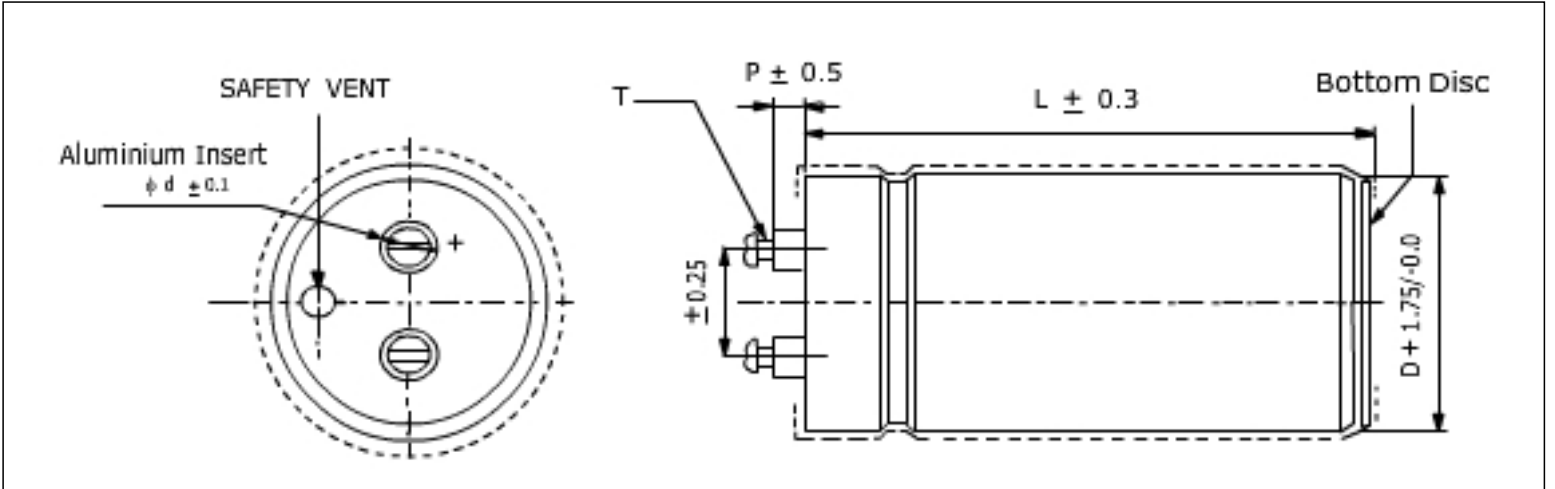
ALUMINUM ELECTROLYTIC CAPACITORS

PG-6SR 290 - 68000MFD - 63VDC - 76X105 - AEST(Final)

DATE :23-02-2010

Revision Status: 001

Revision Date : 23-02-2010



Note: ALL DIMENSIONS ARE IN MM

Dimensions

D	L	E	P	T	d	Terminal Style
76	105	31.6	7.8	M5 FULL THREAD	12	AEST

Electrical parameters

Nominal Capacitance at 100 Hz & 25°C	68000 MFD
Capacitance Tolerance	±20%
Rated Voltage DC	63 VDC
Surge Voltage	75 VDC
Max ESR (at 100 Hz & 25°C)	0.012 Ohm
Max Leakage Current (after 5 Min. of applying rated Voltage) At 25°C	12.852 mA
Max Ripple current at 100 Hz & 85°C	18.3 Amp.
Max Temperature Range	-40°C To +85°C

Multiplying Factor for Ripple Current at other Temperatures

+40 °C	+45°C	+50°C	+65°C
2.10	2.00	1.90	1.60

Ripple Current Capacity at other Frequency

Frequency Hz	100	250	500	1 KHz to 10 KHz	>10KHz
Multiplying Factor	1.0	1.05	1.20	1.32	1.35

Prepared By <i>R. Jayaraj</i>	Verified By <i>Chandras</i>	Approved By <i>S. M. D.</i>
----------------------------------	--------------------------------	--------------------------------