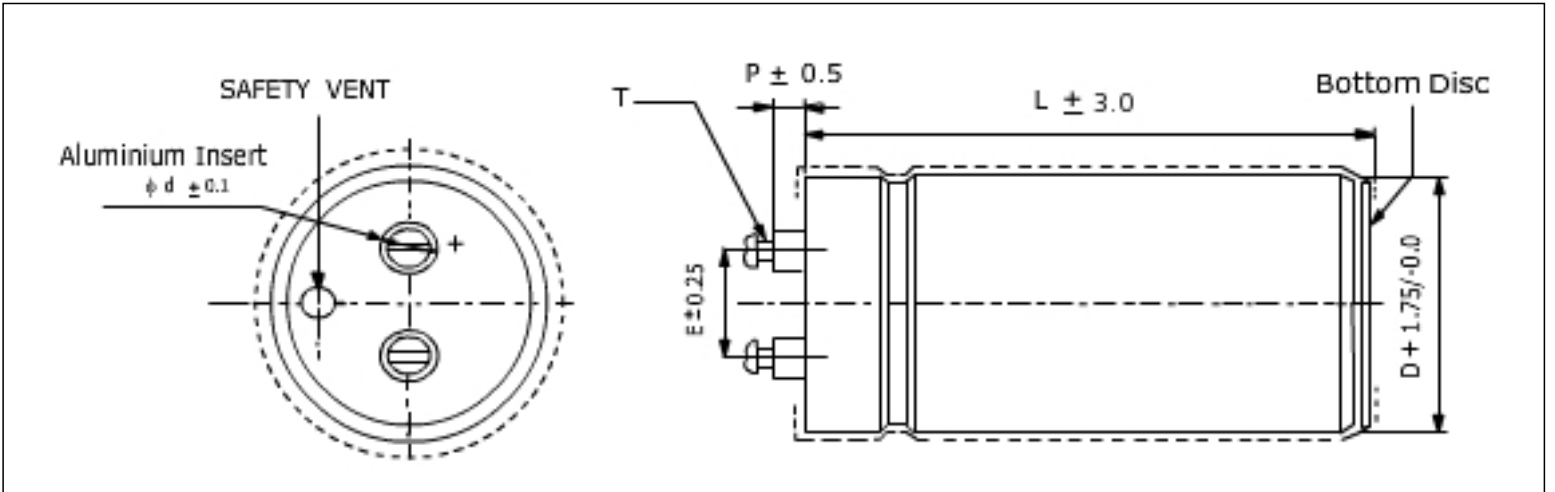


ALUMINUM ELECTROLYTIC CAPACITORS

PG-6SR 284 - 68000MFD - 50VDC - 63X105 - AEST(Provisional)

DATE :23-02-2010



Note: ALL DIMENSIONS ARE IN MM

Dimensions

D	L	E	P	T	d	Terminal Style
63	105	28.5	7.8	M5X0.8pX10	12	AEST

Electrical parameters

Nominal Capacitance at 100 Hz and 25°C	68000 MFD
Capacitance Tolerance	±20%
Rated Voltage DC	50 Vdc
Surge Voltage	60 Vdc
Max ESR (at 100 Hz and 25°C)	0.011 Ohm
Max Leakage Current (After 5 min of applying rated voltage)	10200 µA at 25°C
Max Ripple Current (at 100 Hz and 85°C)	17.5 Amp
Temperature Range	-40°C to +85°C

Multiplying Factor for Ripple Current at other Temperatures

+40°C	+45°C	+50°C	+65°C
2.10	2.00	1.90	1.60

Ripple Current Capacity at other Frequency

Frequency Hz	100	250	500	1K to 10K	>10K
Multiplying Factor	1.00	1.05	1.20	1.32	1.35

Prepared By <i>R. Jayaraj</i>	Verified By <i>Chandrasekar</i>	Approved By <i>S. Prasad</i>
----------------------------------	------------------------------------	---------------------------------