



### Feature

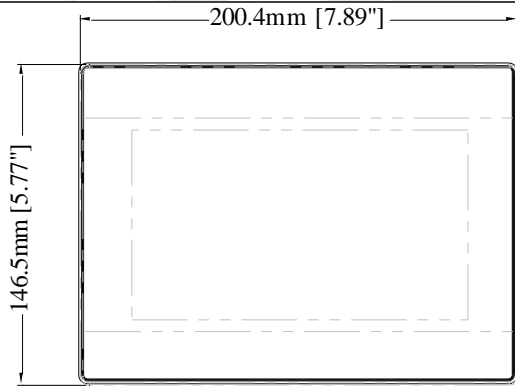
- 7" 800x480 TFT LCD, LED Backlight
- Fan-less Cooling System
- Built-in flash memory and RTC
- IP65 compliant front panel
- PCB coating process ensures high reliability to resist from corrosion in harsh environment
- Com2 RS485 supports MPI 187.5K
- Built-in Power Isolation

<b>Display</b>	Display	7" TFT LCD
	Resolution (WxH dots)	800 x 480
	Brightness (cd/m <sup>2</sup> )	350
	Contrast Ratio	500:1
	Backlight Type	LED
	Backlight Life Time	>30,000 hrs.
	Colors	65536 colors
<b>Touch Panel</b>	Type	4-wire Resistive Type
	Accuracy	Active Area Length(X)±2%, Width(Y)±2%
<b>Memory</b>	Flash	128 MB
	RAM	64 MB
<b>Processor</b>		32 bits RISC CPU 400MHz
<b>I/O Port</b>	USB Host	USB 1.1 x 1
	USB Client	USB 2.0 x 1
	Ethernet	1 RJ45 port (10/100 Base-T)
	COM Port	COM1 RS-232 COM2 RS-485 2W/4W
<b>RTC</b>		Built-in
<b>Power</b>	Power Isolation	Built-in
	Input Power	24±20%VDC
	Power Consumption	350mA @ 24VDC
	Voltage Resistance	500VAC (1 min.)
	Isolation Resistance	Exceed 50MΩ @ 500VDC
	Vibration Endurance	10 to 25Hz (X,Y,Z direction 2G 30 minutes)
<b>Specification</b>	Enclosure	Plastic
	Dimensions WxHxD	200.4 x 146.5 x 34mm
	Panel Cutout	192 x 138mm
	Weight	Approx.0.52 kg (1.15lbs.)
<b>Environment</b>	Protection Structure	NEMA4 / IP65
	Storage Temperature	-20°~60°C (-4° ~ 140°F)
	Operating Temperature	0° ~ 50°C (32° ~ 122°F)
	Relative Humidity	10% ~ 90% RH (non-condensing)
	PCB Coating	Yes
<b>Certificate</b>		CE marked
<b>Software</b>		EasyBuilder8000 V4.65.12 or later versions

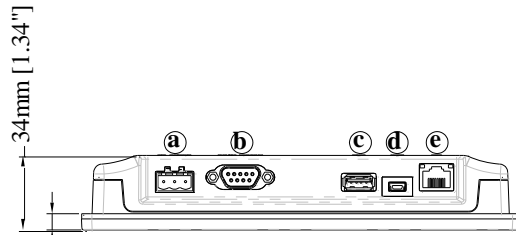
**Software Features**

Project Size	16MB
History Data Size (Data Sampling, Event Log, Recipe)	48MB
Download Project via USB	Yes
Download Project via Ethernet	Yes
Embed Pictures in Project	N/A
Embed PLC Tag Information in Project	Yes
Recipe Database View Database	N/A
Operation Log Operation View	N/A
Enhanced Security	N/A
Project Protection	N/A
VNC	N/A
eMail	N/A
SOE (Sequence of Events)	Yes
User-Defined Boot Screen	Yes
Circular Trend Display	N/A
Media Player	N/A

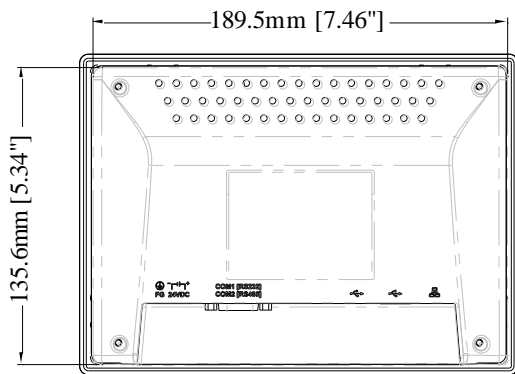
## Dimensions



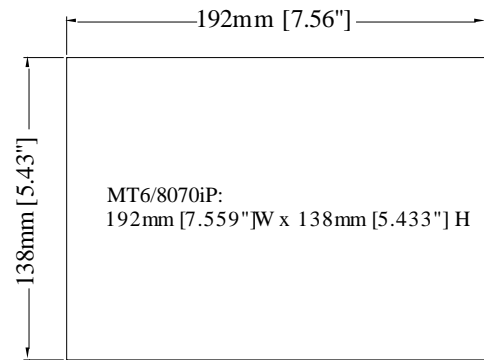
Front View



Bottom View



Rear View



Cutout Dimensions

**Pin Assignment:**

COM1 [RS232] / COM2 [RS485] 9 Pin, Male, D-sub

PIN#	Symbol	COM1 [RS232]	COM2 [RS485]	
			4W	2W
1	Rx-		Rx-	Data-
2	Rx+		Rx+	Data+
3	Tx-		Tx-	
4	Tx+		Tx+	
5	GND	GND		
6	TxD	TxD		
7	RTS	RTS		
8	CTS	CTS		
9	RxD	RxD		

<b>a</b>	Power Connector	<b>d</b>	USB Client
<b>b</b>	Com1 RS232, Com2 RS485 2W/4W	<b>e</b>	Ethernet
<b>c</b>	USB Host		

### Ordering Information

□ **MT8070iP2:**

7" 800x480 TFT LCD HMI, Built-in 128MB flash memory / 64MB DDR2 RAM