

**FEATURES**

- ※ Snap in type with ground pin
- ※ Guide bosses available
- ※ Cap options

**APPLICATION**

- ※ Audio, OA equipment
- ※ Instrumentation
- ※ Industrial

**SPECIFICATION**

Contact Rating	50mA, 12V DC
Contact Resistance	100mΩ max.
Insulation Resistance	100MΩ min. 500V DC
Dielectric Strength	250V AC/1 minute
Operating Force	130±50gf, Black(K) 160±50gf, Brown(N) 260±50gf, Red(R) 320±80gf, Salmon(S) 520±130gf, Yellow(Y)
Travel	0.35mm
Operating Life	Phosphor Bronze Dome 100,000 cycles for 520/320/260gf 200,000 cycles for 160gf Stainless Steel Dome 300,000 cycles for 520/320gf 500,000 cycles for 260gf 1,000,000 cycles for 160gf 10,000,000 cycles for 130gf
Operating Temp.	-25°C ~ +70°C
Storage Temp.	-30°C ~ +80°C

**HOW TO ORDER**

**D T S**   - **2**   -  -  -  -

=Without Ground Pin  
 G=With Ground Pin

=Without Post  
 P=With Post

Dimension H:  
 1=4.30mm  
 3=7.40mm  
 4=7.30(SQ.)x3.80mm  
 5=8.50mm

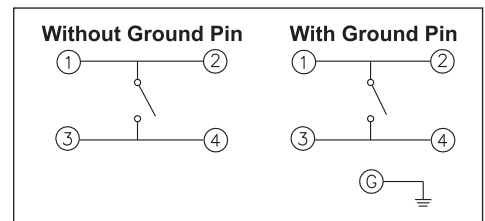
Package:  
=Bulk pack  
 B=Tube (DTS-2 Only)

V=RoHS & Lead Free Solderable  
 Q=Halogen Free

=Phosphor Bronze Dome  
 S=Stainless Steel Dome(Only for K, N, R)

Operating Force:  
 K=Black, 130g  
 N=Brown, 160gf  
 R=Red, 260gf  
 S=Salmon, 320gf  
 Y=Yellow, 520gf

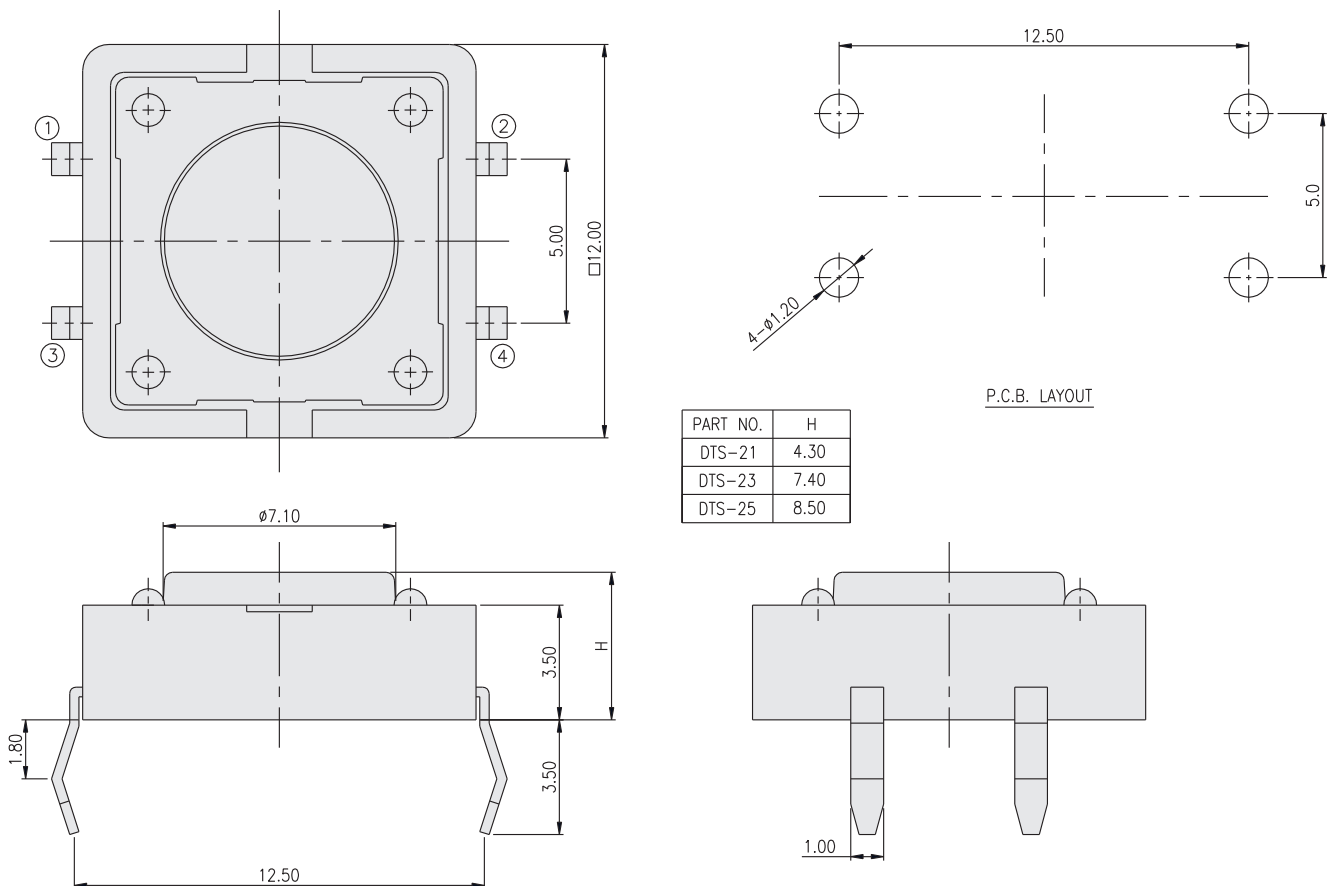
**CIRCUIT**



**PACKAGE**

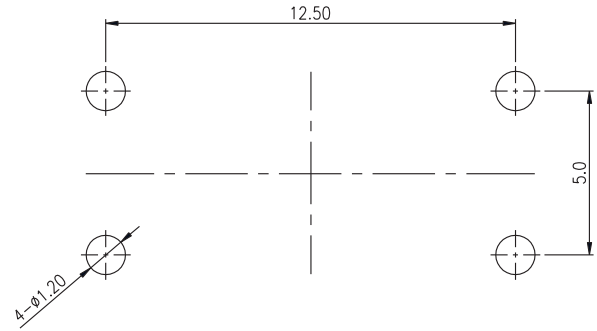
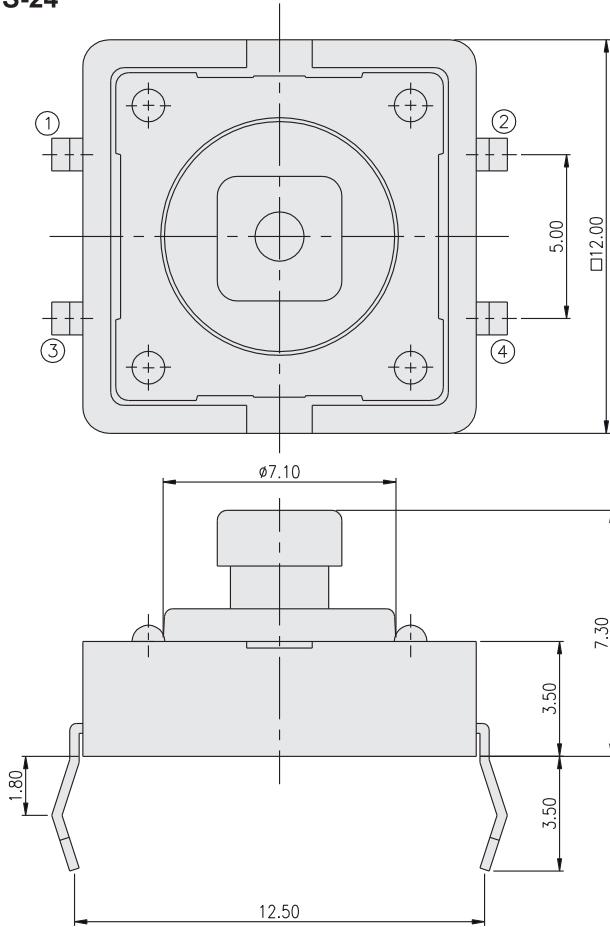
<Bag>  
 500 pcs  
 <Tube>  
 DTS-2: 40 pcs

**DTS-2**

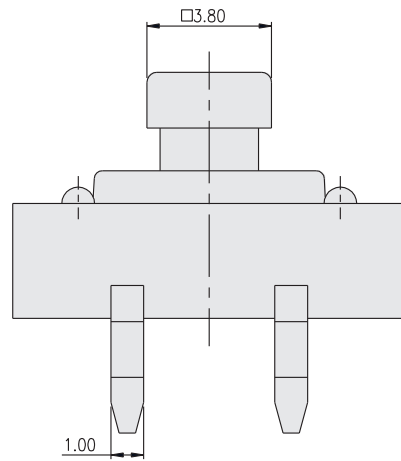


TACT SWITCH

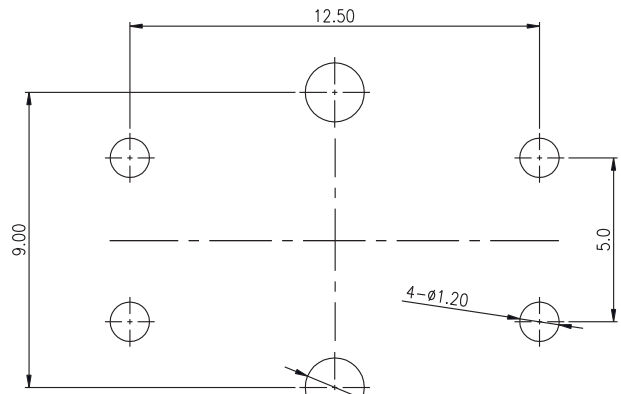
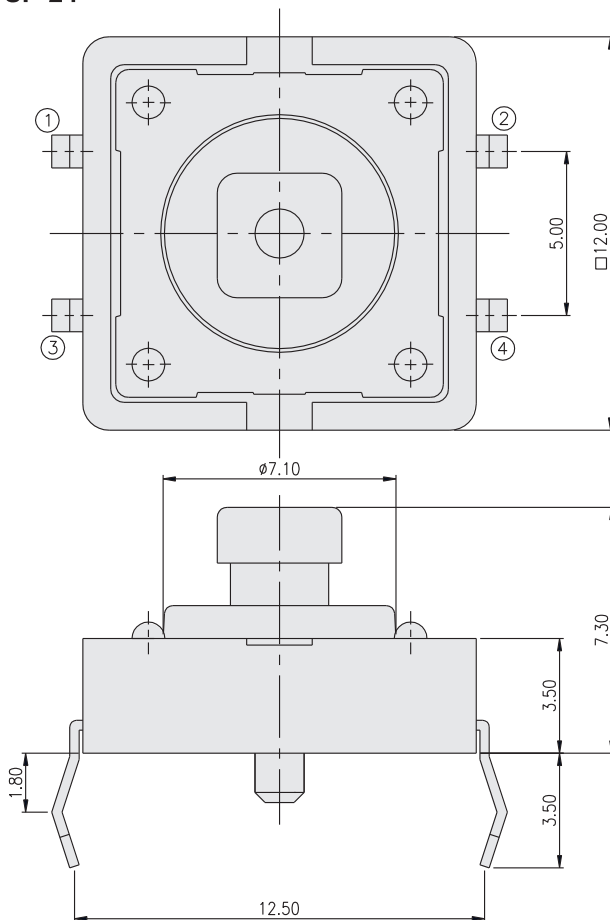
**DTS-24**



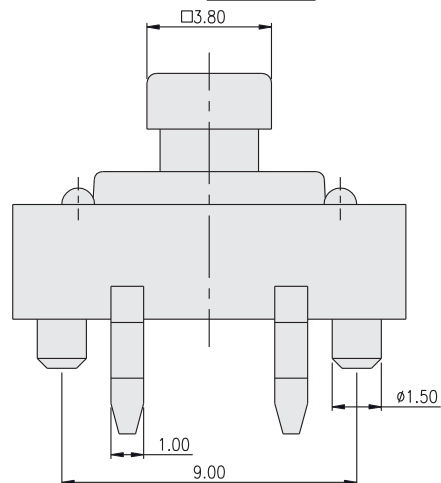
P.C.B. LAYOUT



**DTSP-24**



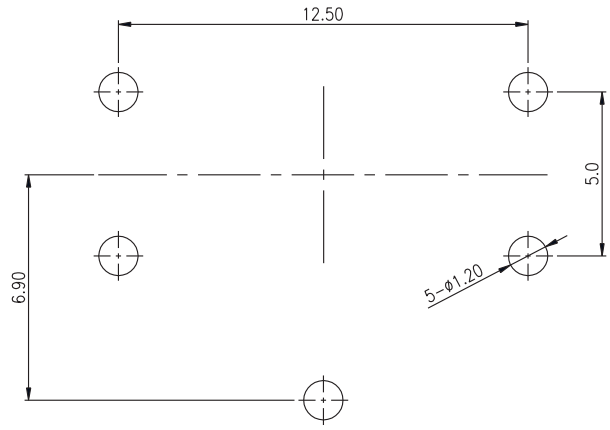
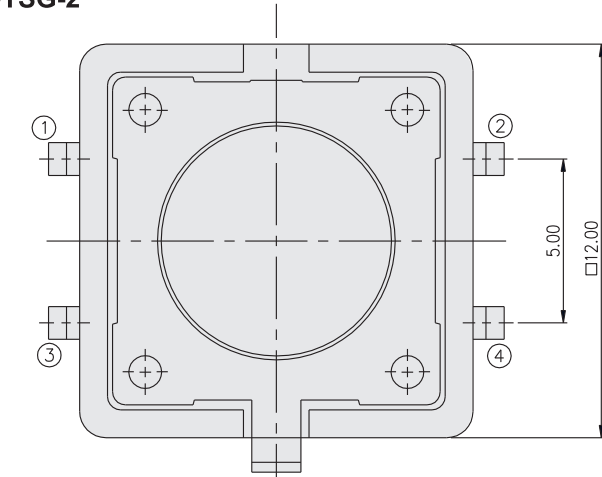
P.C.B. LAYOUT



TACT SWITCH

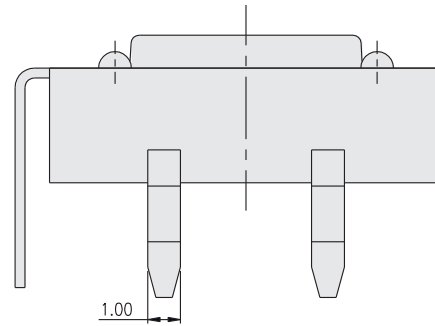
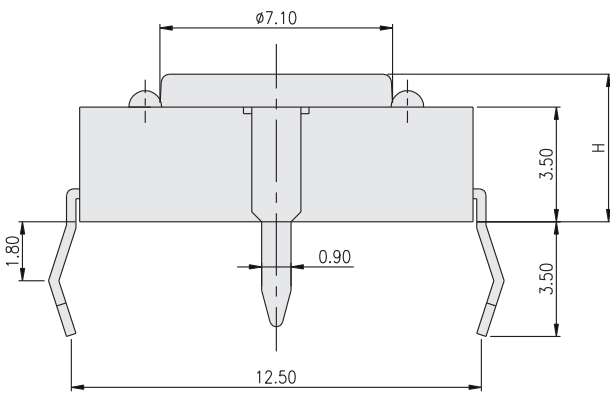


**DTSG-2**



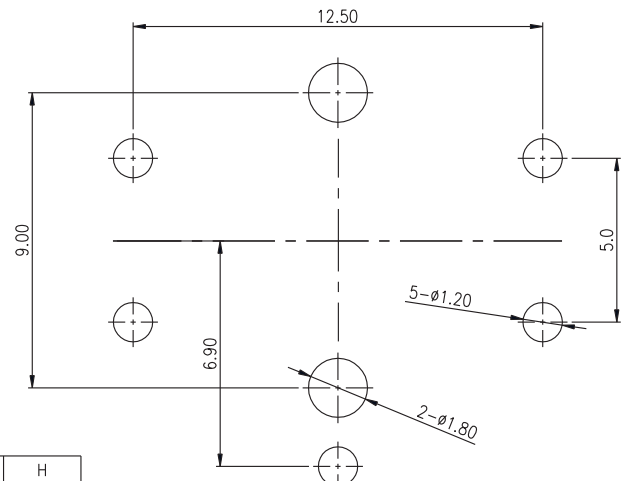
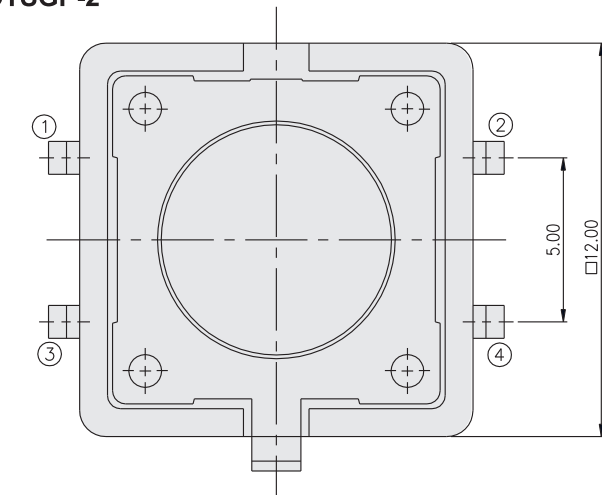
PART NO.	H
DTSG-21	4.30
DTSG-23	7.40
DTSG-25	8.50

P.C.B. LAYOUT



TACT SWITCH

**DTSGP-2**



PART NO.	H
DTSGP-21	4.30
DTSGP-23	7.40
DTSGP-25	8.50

P.C.B. LAYOUT

