

# DATA SHEET

## ZMM55-B2V4 SERIES

### SURFACE MOUNT ZENER DIODES

**VOLTAGE** 2.4 to 47 Volts

**POWER** 500 mWatts

**MINI-MELF/LL-34**

Unit : inch (mm)

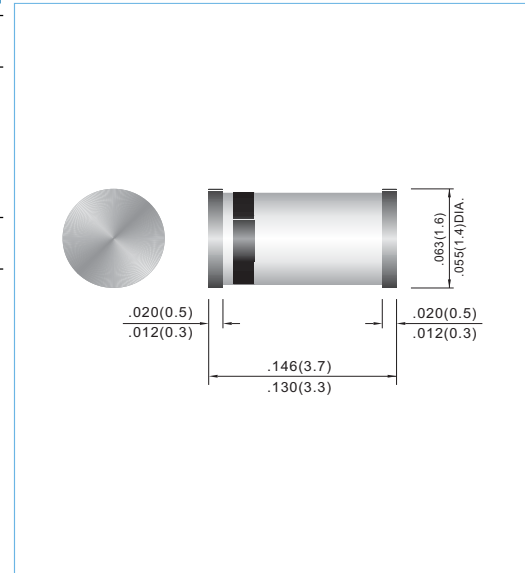
#### FEATURES

- Planar Die construction
- 500mW Power Dissipation
- Ideally Suited for Automated Assembly Processes

#### MECHANICAL DATA

- Case: Molded Glass MINI-MELF
- Terminals: Solderable per MIL-STD-202, Method 208
- Polarity: See Diagram Below
- Approx. Weight: 0.008 grams
- Mounting Position: Any
- Packing information

T/R - 2.5K per 7" plastic Reel



### MAXIMUM RATINGS AND ELECTRICAL CHARACTERISTICS

Parameter	Symbol	Value	Units
Power Dissipation at Tamb = 25 °C	P <sub>TOT</sub>	500	mW
Junction Temperature	T <sub>J</sub>	175	°C
Storage Temperature Range	T <sub>S</sub>	-55 to +175	°C

Valid provided that leads at a distance of 8mm from case are kept at ambient temperature.

Parameter	Symbol	Min.	Typ.	Max.	Units
Thermal Resistance Junction to Ambient Air	R <sub>thA</sub>	—	—	0.3	K/mW
Forward Voltage at I <sub>F</sub> = 100mA	V <sub>F</sub>	—	—	1	V

Valid provided that leads at a distance of 8mm from case are kept at ambient temperature.

Part Number	Nominal Zener Voltage			Max. Zener Impedance				Max Reverse Leakage Current		Marking code
	Vz @ IzT			ZzT @ IzT		ZzK @ IzK		IR @ VR		
	Nom. V	Min. V	Max. V	$\Omega$	mA	$\Omega$	mA	$\mu$ A	V	
ZMM55-B2V4	2.40	2.35	2.45	85	5	600	1.0	50	1.0	B2V4
ZMM55-B2V7	2.70	2.65	2.75	85	5	600	1.0	10	1.0	B2V7
ZMM55-B3V0	3.00	2.94	3.06	85	5	600	1.0	4	1.0	B3V0
ZMM55-B3V3	3.30	3.23	3.37	85	5	600	1.0	2	1.0	B3V3
ZMM55-B3V6	3.60	3.53	3.67	85	5	600	1.0	2	1.0	B3V6
ZMM55-B3V9	3.90	3.82	3.98	85	5	600	1.0	2	1.0	B3V9
ZMM55-B4V3	4.30	4.21	4.39	75	5	600	1.0	1	1.0	B4V3
ZMM55-B4V7	4.70	4.61	4.79	60	5	600	1.0	0.5	1.0	B4V7
ZMM55-B5V1	5.10	5.00	5.20	35	5	550	1.0	0.1	1.0	B5V1
ZMM55-B5V6	5.60	5.49	5.71	25	5	450	1.0	0.1	1.0	B5V6
ZMM55-B6V2	6.20	6.08	6.32	10	5	200	1.0	0.1	2.0	B6V2
ZMM55-B6V8	6.80	6.66	6.94	8	5	150	1.0	0.1	3.0	B6V8
ZMM55-B7V5	7.50	7.35	7.65	7	5	50	1.0	0.1	5.0	B7V5
ZMM55-B8V2	8.20	8.04	8.36	7	5	50	1.0	0.1	6.0	B8V2
ZMM55-B9V1	9.10	8.92	9.28	10	5	50	1.0	0.1	7.0	B9V1
ZMM55-B10	10.00	9.80	10.20	15	5	70	1.0	0.1	7.5	B10V
ZMM55-B11	11.00	10.78	11.22	20	5	70	1.0	0.1	8.5	B11V
ZMM55-B12	12.00	11.76	12.24	20	5	90	1.0	0.1	9.0	B12V
ZMM55-B13	13.00	12.74	13.26	26	5	110	1.0	0.1	10	B13V
ZMM55-B15	15.00	14.70	15.30	30	5	110	1.0	0.1	11	B15V
ZMM55-B16	16.00	15.68	16.32	40	5	170	1.0	0.1	12	B16V
ZMM55-B18	18.00	17.64	18.36	50	5	170	1.0	0.1	14	B18V
ZMM55-B20	20.00	19.60	20.40	55	5	220	1.0	0.1	15	B20V
ZMM55-B22	22.00	21.56	22.44	55	5	220	1.0	0.1	17	B22V
ZMM55-B24	24.00	23.52	24.48	80	5	220	1.0	0.1	18	B24V
ZMM55-B27	27.00	26.46	27.54	80	5	220	1.0	0.1	20	B27V
ZMM55-B30	30.00	29.40	30.60	80	5	220	1.0	0.1	22	B30V
ZMM55-B33	33.00	32.34	33.66	80	5	220	1.0	0.1	24	B33V
ZMM55-B36	36.00	35.28	36.72	80	5	220	1.0	0.1	27	B36V
ZMM55-B39	39.00	38.22	39.78	90	2.5	500	1.0	0.1	30	B39V
ZMM55-B43	43.00	42.14	43.86	90	2.5	600	1.0	0.1	33	B43V
ZMM55-B47	47.00	46.06	47.94	110	2.5	700	1.0	0.1	36	B47V

Notes.

- STANDARD VOLTAGE TOLERANCE IS + 5% AND :
- SUFFIX " A " FOR + 1%
- SUFFIX " B " FOR + 2%
- SUFFIX " C " FOR + 5%
- SUFFIX " D " FOR + 20%

## RATING AND CHARACTERISTIC CURVES

