



**健隆投資有限公司**  
**STRONG BASE INVESTMENT LTD.**

Unit 17, 11/F., Hewlett Centre, 52-54 Hoi Yuen Road, Kwun Tong, Kowloon, Hong Kong.  
Tel: (852) 2793 3293 Fax: (852) 2793 3096



**Approval Sheet**  
**(確認書)**

|                          |           |
|--------------------------|-----------|
| <b>編號</b><br>Ref. No.    | 130118-01 |
| <b>日期</b><br>Issued Date | 2013-1-18 |

**公司名稱** : \_\_\_\_\_  
Company Name

**產品編號** : E1-2056CUR3  
Part No.

**產品種類** : 数码显示板  
Category

**產品描述** : 0.56 Inch、双位、共阴、超高亮红色、灰面白字  
Description

**客戶產品編號** : \_\_\_\_\_  
Customer No.

**備注** : \_\_\_\_\_  
Remarks

| STRONG BASE |          |         |          |
|-------------|----------|---------|----------|
| ISSUER      | APPROVER | CHECKER | ENGINEER |
|             | 曾雪昭      | 何春宁     | 伍晓君      |

| Authorized Signature<br>客戶簽字 |  |  |  |  |
|------------------------------|--|--|--|--|
| 部門<br>Department             |  |  |  |  |
| 簽字<br>Signature              |  |  |  |  |
|                              |  |  |  |  |

工廠名稱: 宇之亮電子(深圳)有限公司  
工廠地址: 廣東省深圳市龍崗區橫崗鎮荷坳村金源工業區  
Company Name: Pretty Light (Shen Zhen) Limited  
Factory Address: jin-Yuan, Industrial Zone He-Ao Cun, Heng-Gang  
Zhen Long-Gang Area, Shen-Zhen City,  
TEL: (755) 8976 7353 FAX: (755) 89767754



健隆投資有限公司

**STRONG BASE INVESTMENT LTD.**

Unit 17, 11/F., Hewlett Centre, 52-54 Hoi Yuen Road, Kwun Tong, Kowloon, Hong Kong.

Tel: (852) 2793 3293 Fax: (852) 2793 3096



**PART No: E1-2056CUR3**

**Client:**

**Single Chip Light Electricity Characteristic Data**

**※Absolute Maximum Ratings at Ta=25°C**

| Parameter   | Rating    | Unit |
|---|-----------|------|
| Power Dissipation Per Chip  | 50        | mW   |
| Perk Forward Current Per Chip<br>(Frequency 10KHz,1/10Duty Cycle) | 60        | mA   |
| Reverse Voltage Per Chip  | 5         | V    |
| Operating Temperature Range                                       | -20~+80   | °C   |
| Storage Temperature Range   | -20~+85   | °C   |
| Storage Humidity  | 45% ~ 85% |      |

**※Electrical and Optical Characteristics at Ta=25°C**

| Parameter                   | Symbol      | Condition | Color     | Min | Typ | Max | Unit |
|-----------------------------|-------------|-----------|-----------|-----|-----|-----|------|
| Forward Voltage Per Chip    | VF          | IF=20mA   | Red       | 1.7 | 2.0 | 2.5 | v    |
| Reverse Current             | IR          | VR=5V     | -         | -   | -   | 50  | uA   |
| Luminous Intensity Per Chip | IV          | IF=20mA   | Red       | 30  | 45  | 60  | mcd  |
| Dominant Wave Length        | $\lambda d$ | IF=20mA   | Red       | 625 | 630 | 640 | nm   |
| Normal Forward Current      | IF          |           | All Color | 5   | 10  | 20  | mA   |

Note : Soldering Bath : not more than 4 seconds @260°C ◦ The bottom ends of plastic reflector should be at least 2mm above the solder surface ◦

Soldering Iron : not more than 3 seconds @300°C under 30W ◦



健隆投資有限公司

STRONG BASE INVESTMENT LTD.

Unit 17, 11/F., Hewlett Centre, 52-54 Hoi Yuen Road, Kwun Tong, Kowloon, Hong Kong.

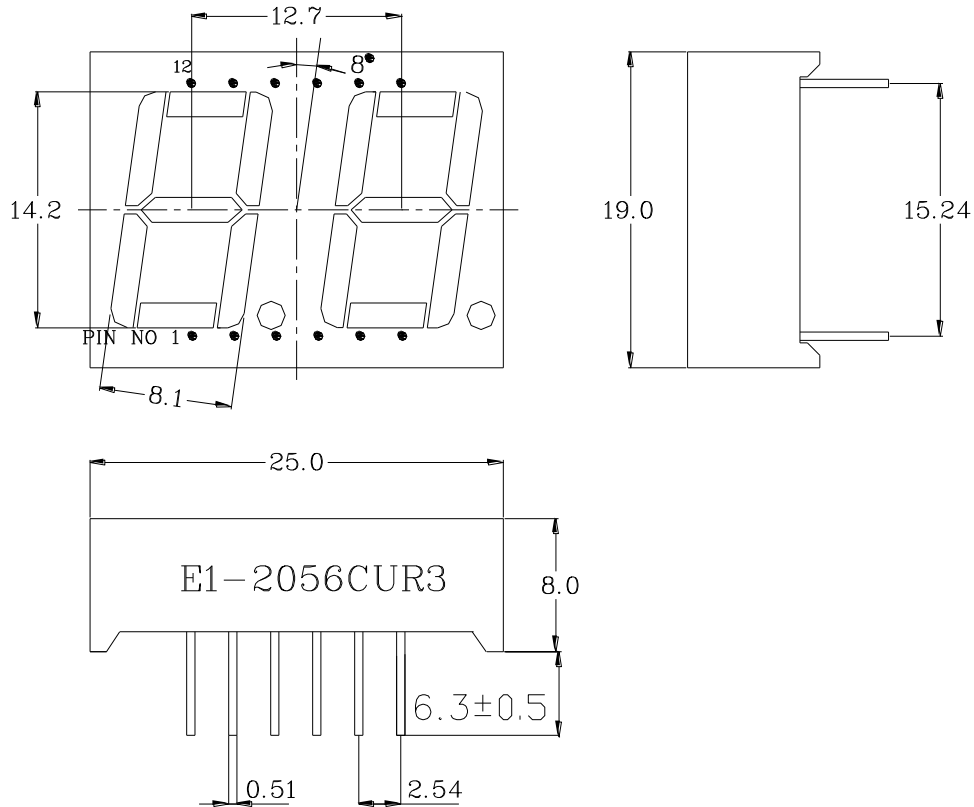
Tel: (852) 2793 3293 Fax: (852) 2793 3096



PART No.: E1-2056CUR3

Client:

PACKAGE DIMENSION (Unit: mm Tolerance: ±0.5)



## INTERNAL CIRCUIT DIAGRAM

Pin Function

