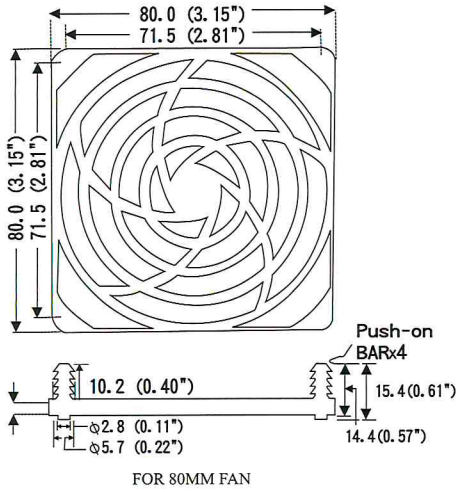
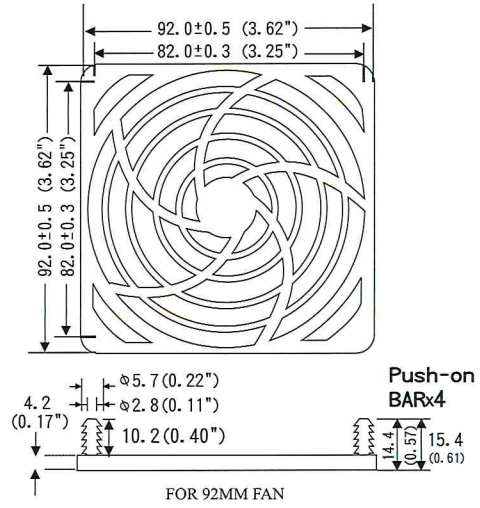


# PLASTIC FINGER GUARD

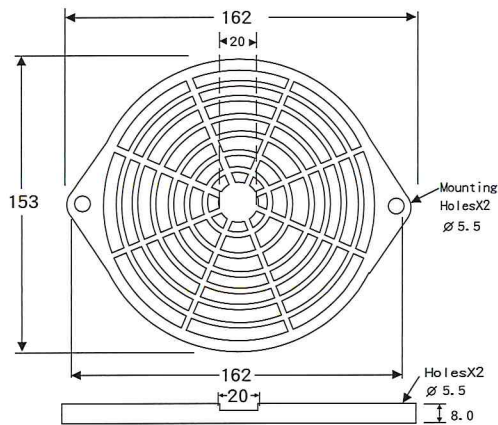
C-2



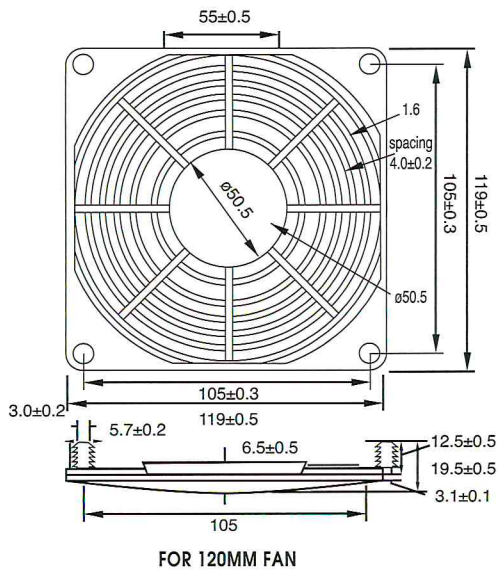
C-3



C-5



C-4



C-4A

