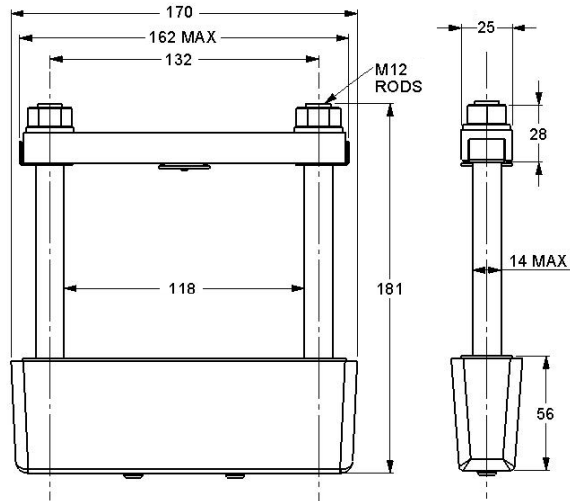
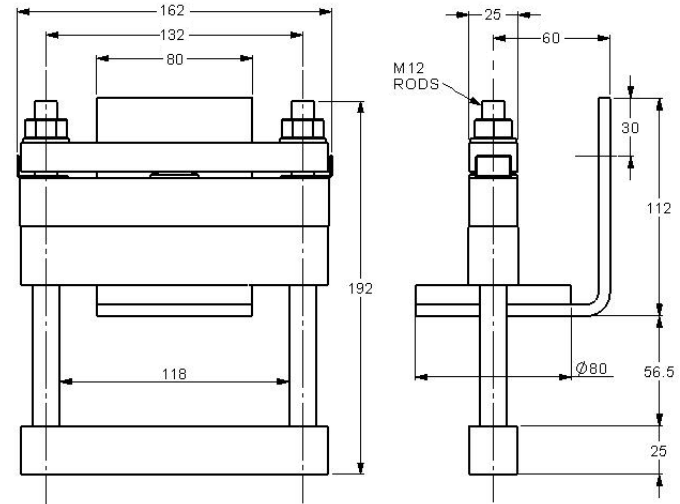


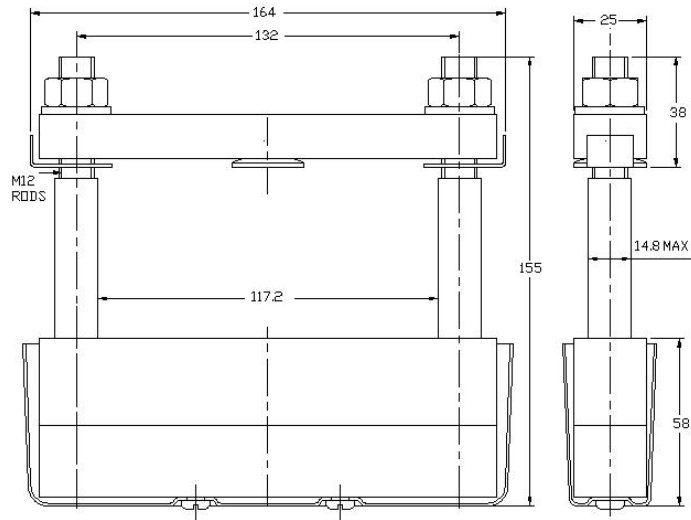
Clamps (Dimensions in mm and inches) (1mm= 0.0394 inch)



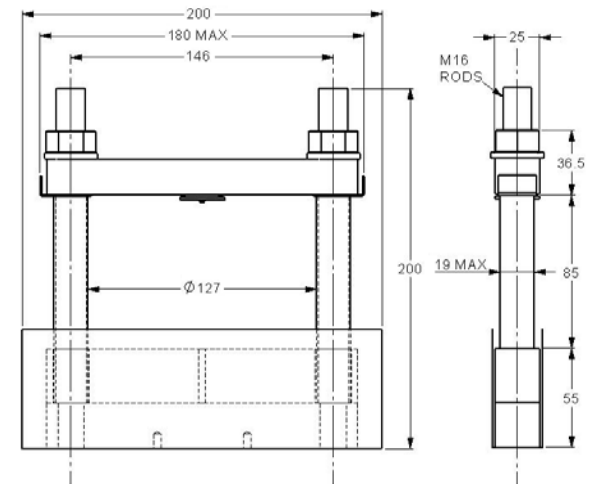
WC37 CMK3500D116M



WC38 CMK4000S116M



WC39 CMK4000D116M



WC40 CMK5000D128M