



健隆投資有限公司
STRONG BASE INVESTMENT LTD.

Unit 17, 11/F., Hewlett Centre, 52-54 Hoi Yuen Road, Kwun Tong, Kowloon, Hong Kong.
Tel: (852) 2793 3293 Fax: (852) 2793 3096



Approval Sheet
(確認書)

編號 Ref. No.	/
日期 Issued Date	2015-10-28

公司名稱 : _____
Company Name

產品編號 : 3R4UD-8
Part No.

產品種類 : LED-LAMP
Category

產品描述 : 3 MM/ ULTRA BRIGHT ORANGE RED ,RED DIFFUSED
Description

客戶產品編號 : _____
Customer No.

備注 : _____
Remarks

STRONG BASE			
ISSUER	APPROVER	CHECKER	ENGINEER
	朱美丽	叶楠	高雪

Authorized Signature 客戶簽字				
部門 Department				
簽字 Signature				

工廠名稱:字之亮電子(深圳)有限公司
工廠地址:廣東省深圳市龍崗區橫崗鎮荷坳村金源工業區
Company Name: Pretty Light (Shen Zhen) Limited
Factory Address:jin-Yuan,Industrial Zone He-Ao Cun,Heng-Gang
Zhen Long-Gang Area,Shen-Zhen City,
TEL: (755) 8976 6931 2862 5421 FAX: (755) 28684819 2862 5922

PART NO. : 3R4UD-8

DATE : 3 February 2016

3 MM/ ULTRA BRIGHT ORANGE RED ,RED DIFFUSED

SPECIFICATION

ABSOLUTE MAXIMUM RATING (Ta=25°C)

Item	Symbol	Rating	Unit
Power Dissipation	$P_{D(AVG)}$	80	mW
Forward Current	I_F	20	mA
Peak Forward Current (1/10 Duty Cycle, 0.1 ms Pulse Width)	I_{FP}	100	mA
Reverse Voltage	V_R	5	V
Operating Temperature	T_{opr}	-40~+85	°C
Storage Temperature	T_{stg}	-40~+85	°C

ELECTRICAL/OPTICAL CHARACTERISTICS RATING (Ta=25°C)

Item	Symbol	Test Conditions	Rating			Unit
			Min.	Typ.	Max.	
Forward Voltage	V_F	$I_F=20mA$	1.8	2.1	2.4	V
Reverse Current	I_R	$V_R=5V$	---	---	20	μA
Luminous Intensity	I_V	$I_F=20mA$	---	400	---	mcd
Dominant Wave Length	λ_d	$I_F=20mA$	---	625	---	nm
Viewing Angle $2\theta_{1/2}$	$2\theta_{1/2}$	$I_F=20mA$	35°			deg.

Notes:-

1) $\theta_{1/2}$ is the off-axis angle where the luminous intensity is half the optical centerline value.

Soldering Conditions : Soldering Temp. $\leq 260^\circ C$

Soldering Time ≤ 5 Sec.



Caution : ESD protection measures shall be considered and taken in the initial design stage, because static electricity and surge could damage the LED.

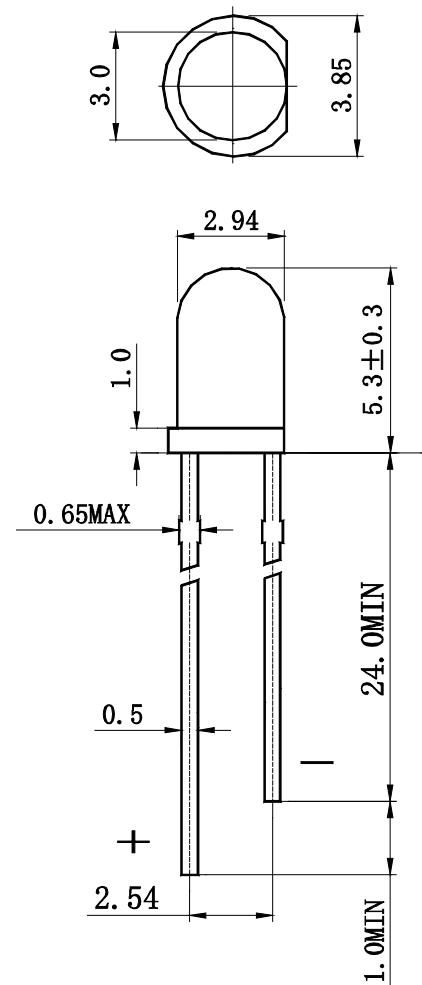
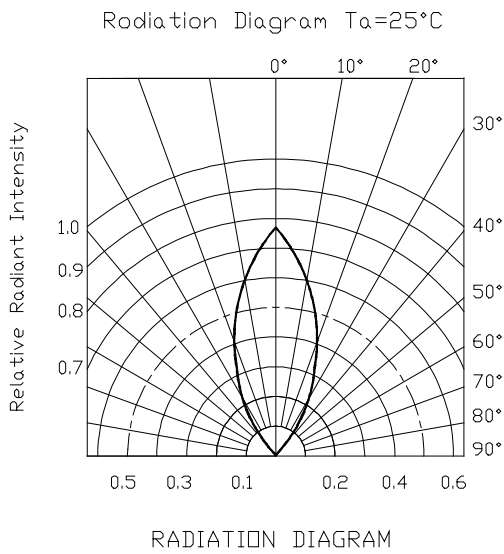
A wrist band or an anti-electrostatic glove should be used when handling Electrostatic Sensitive Devices.

PART NO. : 3R4UD-8

DATE : 3 February 2016

3 MM/ ULTRA BRIGHT ORANGE RED ,RED DIFFUSED

PACKAGE DIMENSION



Tolerance: ± 0.25(0.01)
Unit: mm(inch)

Item	Materials
Resin(Mold)	Epoxy Resin
Lead Frame	Copper Alloy

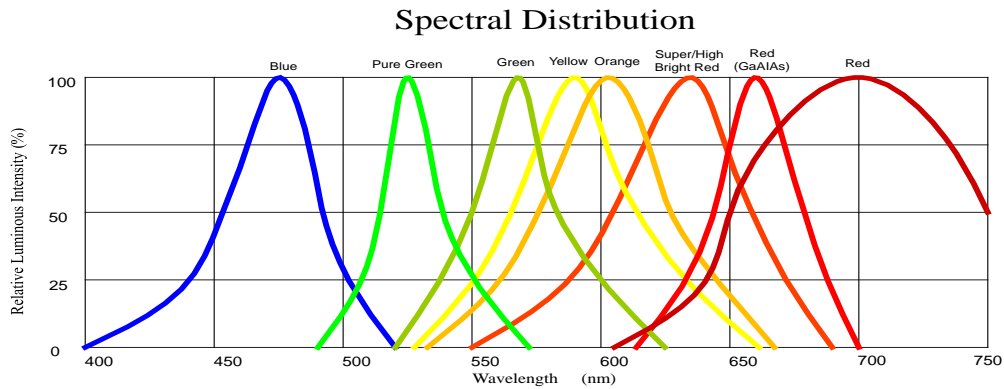
Part Number	Emitting Color	Lens Type
3R4UD-8	ORANGE RED	RED DIFFUSED

PART NO. : 3R4UD-8

DATE : 3 February 2016

3 MM/ ULTRA BRIGHT ORANGE RED ,RED DIFFUSED

Typical Electrical/Optical Characteristics Curves



(25°C) Ambient Temperature Unless Otherwise Noted

Fig1. Forward current vs Forward Voltage

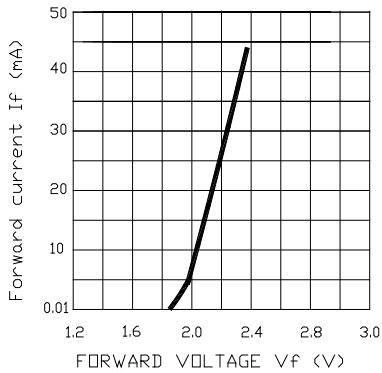


Fig.2 Relative Luminous Intensity Vs Forward current

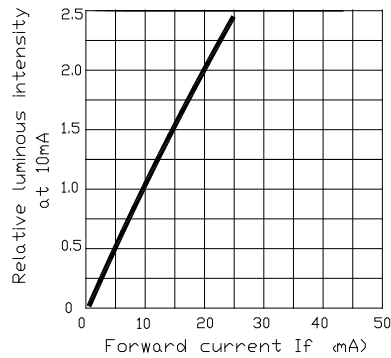


Fig3: Forward Current Derating Curve

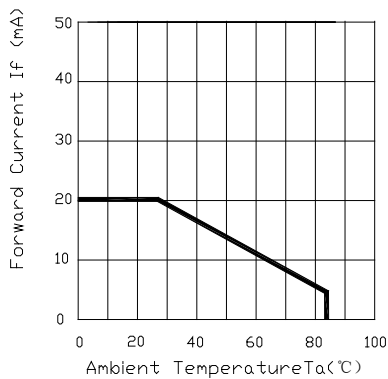


Fig4: Relative Luminous Intensity vs Ambient Temperature

