

This product is completed the lead-free and RoHS.



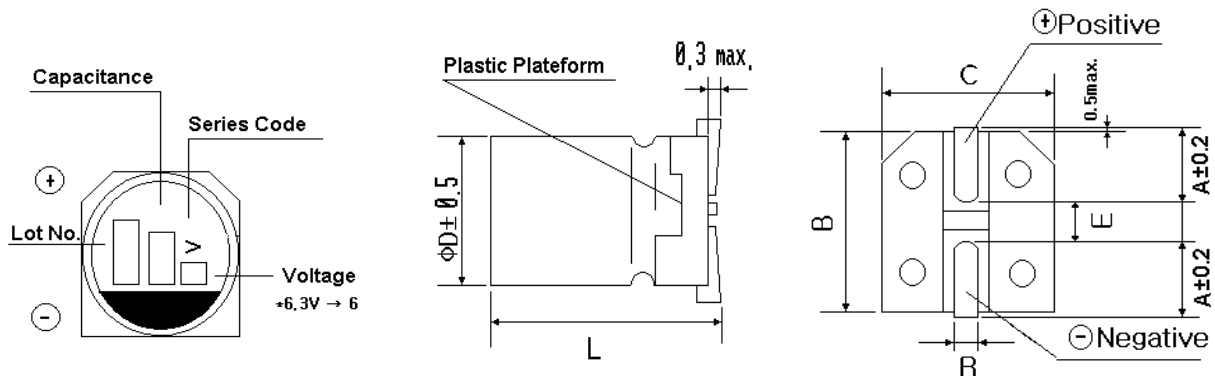
# DATA SHEET



**SAMWHA ELECTRIC CO., LTD.**

## Aluminum Electrolytic Capacitors

Date : 2015. 12. 16.  
 Ident-No : SC-ARC3789  
 Part No : SC 1E 107 M 6L07K VR



$\Phi D$	$L \pm 0.4$	$B \pm 0.2$	$C \pm 0.2$	$E \pm 0.2$	$A \pm 0.2$	R
6.3	7.7	6.6	6.6	2.2	2.4	0.5~0.8

Dimensions of  $\Phi D$  &  $L$

Capacitance at 120Hz, 20 °C	100 $\mu F$
Tolerance at 120Hz, 20 °C	-20% ~ +20%
Rated Voltage	25 V
Surge Voltage	32 V
Ripple current at 120Hz, 85 °C	113 mA rms
Leakage current aft 2 minute	25.0 $\mu A$
Dissipation factor (tan $\delta$ ) at 120Hz, 20 °C	0.16
E.S.R at 120Hz, 20 °C	2.12 $\Omega$
Temperature range	-40 ~ +85 °C
Load life at 85 °C	2000 hours
Shelf life at 85 °C	1000 hours

Approved

G. H. Um

Technical team manager