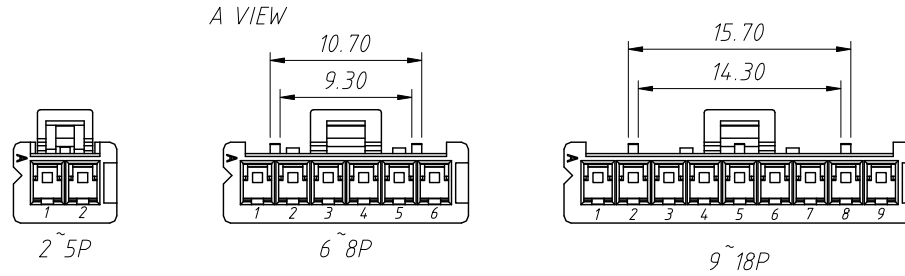
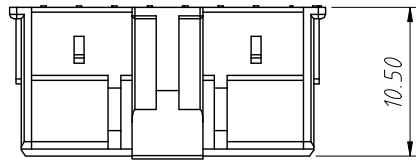
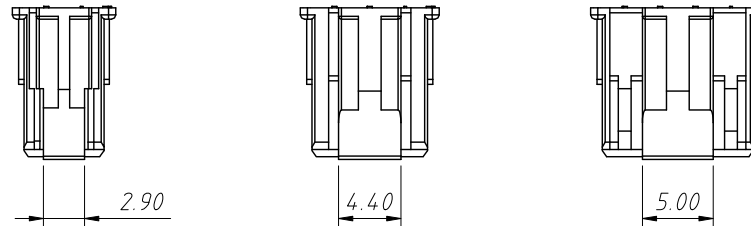
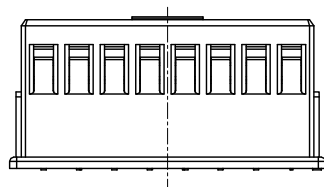
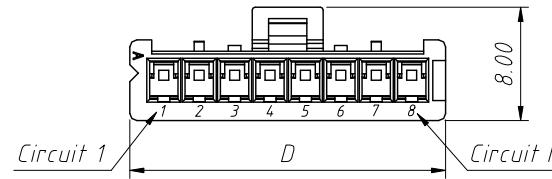
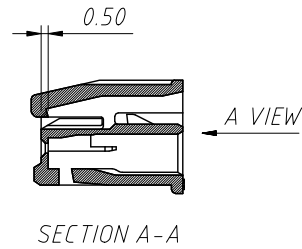
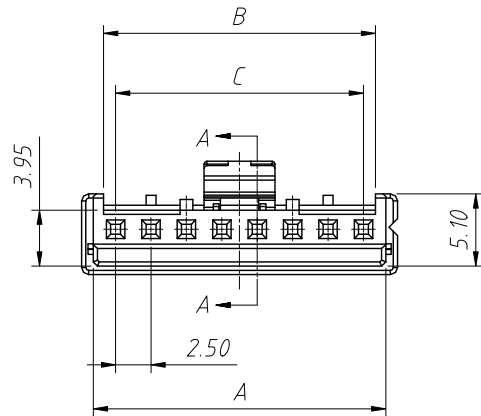


1 RoHS Compliance



Material:
Housing: PA66, UL94V-0
Color: Blank-Natural color

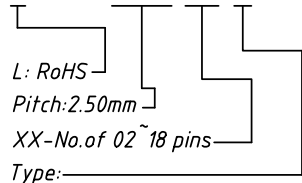
Electrical Characteristics:
Rated Current: 3.0AMP
Voltage rating: 250V AC, DC
Temperature range: -25°C ~ +85°C
Insulator Resistance: 1000MΩ Min
Withstanding Voltage: 1000V AC/minute
Contact Resistance: 20mΩ Max
After environmental testing: 40mΩ Max



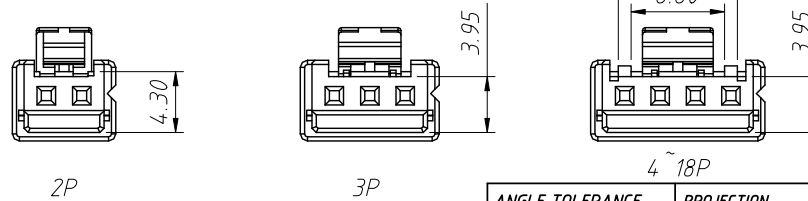
Pin	Dimensions(mm)			
	A	B	C	D
02	5.65	4.20	2.50	7.30
03	8.15	5.80	5.00	9.80
04	10.65	9.60	7.50	12.30
05	13.15	11.70	10.00	14.80
06	15.65	14.20	12.50	17.30
07	18.15	16.70	15.00	19.80
08	20.65	19.20	17.50	22.30
09	23.15	21.70	20.00	24.80
10	25.65	24.20	22.50	27.30
11	28.15	26.70	25.00	29.80
12	30.65	29.20	27.50	32.30
13	33.15	31.70	30.00	34.80
14	35.65	34.20	32.50	37.30
15	38.15	36.70	35.00	39.80
18	46.65	44.20	42.50	47.30

Order Information:

L-KLS1-2.50J-XX-H



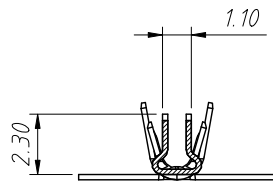
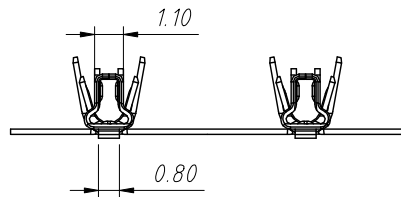
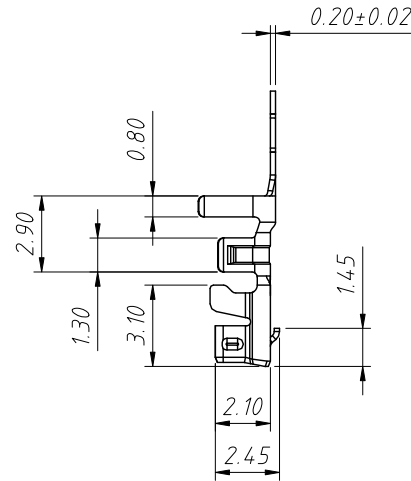
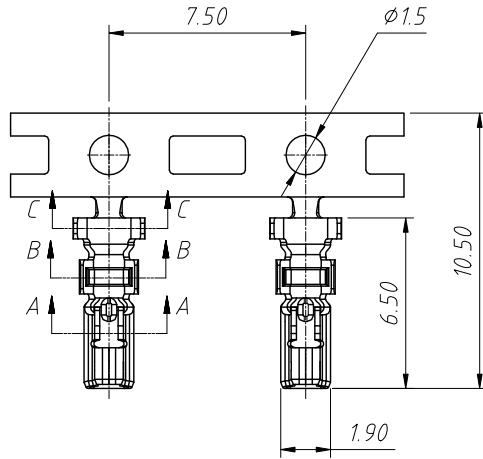
Type:
H-Housing T1/T2-Terminal
S1/S2/S3/S4-Straight pin
R1/R2-Right angle pin



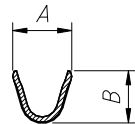
ANGLE TOLERANCE	PROJECTION	Description:
±3°		2.50mm Pitch XARP Type Wire To Board Connector
GENERAL TOLERANCE	UNITS	mm
x.x ±0.30	SHEET SIZE	A4
x.xx ±0.20	Draw:	Daniel 2020-11-11
x.xxx ±0.10	Check:	Daniel 2020-11-11

KLS NingBo KLS ELECTRONIC CO.,LTD.

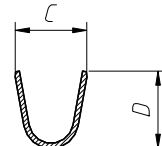
1 RoHS Compliance



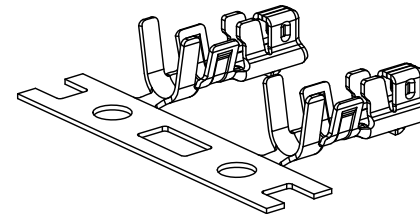
Section A-A



Section B-B



Section C-C

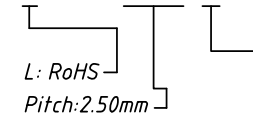


Material:
Terminal: Phosphor bronze
Finish: Tin Plated
Wire Range: AWG#20-26

Electrical Characteristics:
Rated Current: 3.0AMP
Voltage rating: 250V AC, DC
Temperature range: -25°C ~ +85°C
Insulator Resistance: 1000MΩ Min
Withstanding Voltage: 1000V AC/minute
Contact Resistance: 20mΩ Max
After environmental testing: 40mΩ Max

Order Information:

L-KLS1-2.50J-T1



L: RoHS

Pitch: 2.50mm

Type:

H-Housing T1/T2-Terminal

S1/S2/S3/S4-Straight pin

R1/R2-Right angle pin

Ordering Information (T1-Low Lever; T2-High Lever)

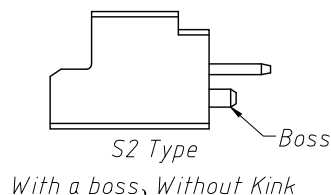
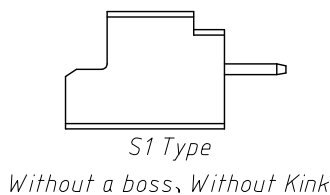
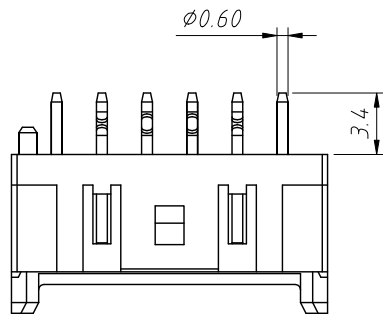
Part No.	Wire range	Dim. A	Dim. B	Dim. C	Dim. D
L-KLS1-2.50J-T1	#24 ~ #26	1.90	1.50	2.75	2.90
L-KLS1-2.50J-T2	#20 ~ #22	1.96	1.85	2.75	2.90

ANGLE TOLERANCE	PROJECTION	Description:
±3°		2.50mm Pitch XARP Type Wire To Board Connector
GENERAL TOLERANCE	UNITS	mm
x.x ±0.30	SHEET SIZE	A4
x.xx ±0.20	Draw:	Daniel 2020-11-11
x.xxx ±0.10	Check:	Daniel 2020-11-11



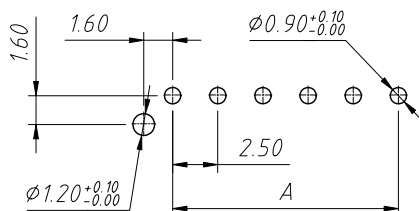
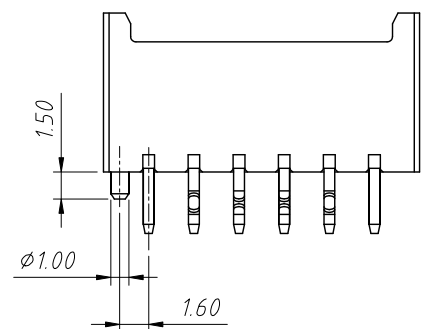
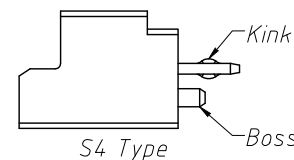
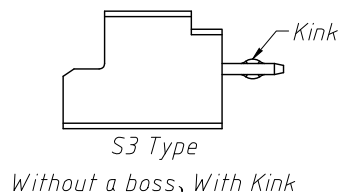
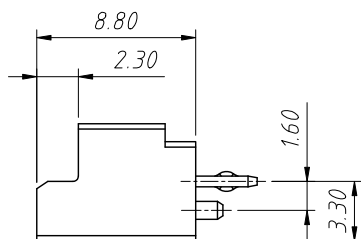
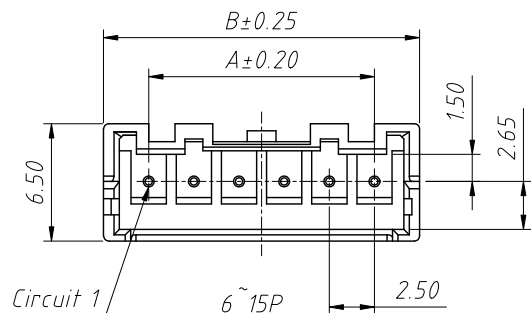
NingBo KLS ELECTRONIC CO.,LTD.

RoHS Compliance



Material:
Housing: PA66/PA9T, UL94V-0
Color: Blank-Natural color
Plating: Tin Plating

Electrical Characteristics:
Rated Current: 3.0AMP
Voltage rating: 250V AC, DC
Temperature range: -25°C ~ +85°C
Insulator Resistance: 1000MΩ Min
Withstanding Voltage: 1000V AC/minute
Contact Resistance: 10mΩ Max
After environmental testing: 20mΩ Max



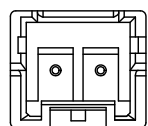
Recommended P.C.B Layout
(Tolerance ±0.05)

Order Information:

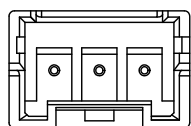
L-KLS1-2.50J-XX-S1

L: RoHS
Pitch: 2.50mm
XX-No. of 02~15 pins
Type:
H-Housing T1/T2-Terminal
S1/S2/S3/S4-Straight pin
R1/R2-Right angle pin

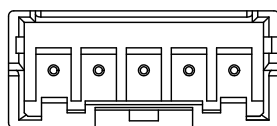
Pin	Dimensions(mm)	
	A	B
02	2.50	7.50
03	5.00	10.00
04	7.50	12.50
05	10.00	15.00
06	12.50	17.50
07	15.00	20.00
08	17.50	22.50
09	20.00	25.00
10	22.50	27.50
11	25.00	30.00
12	27.50	32.50
13	30.00	35.00
14	32.50	37.50
15	35.00	40.00



2P



3P



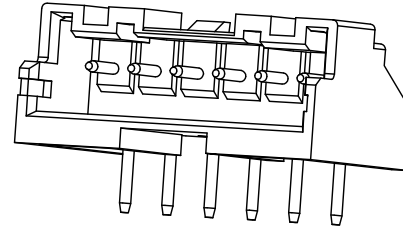
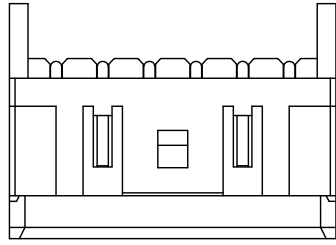
4~5P

ANGLE TOLERANCE	PROJECTION	Description:
±3°		2.50mm Pitch XARP Type Wire To Board Connector
GENERAL TOLERANCE	UNITS	mm
x.x ±0.30	SHEET SIZE	A4
x.xx ±0.20	Draw:	Daniel 2020-11-11
x.xxx ±0.10	Check:	Daniel 2020-11-11



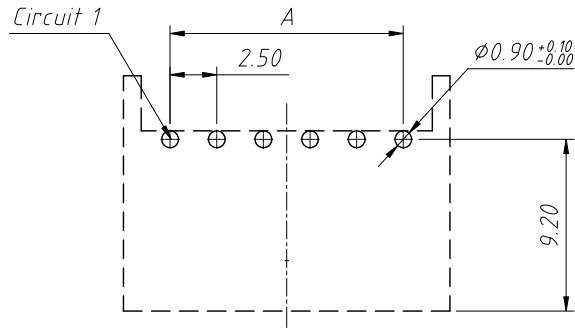
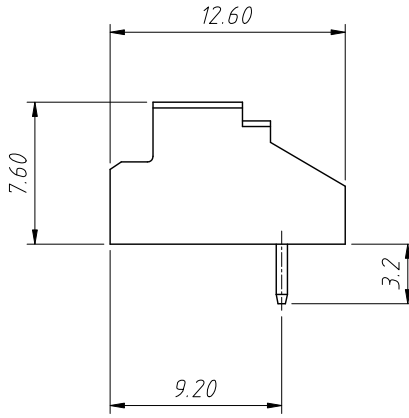
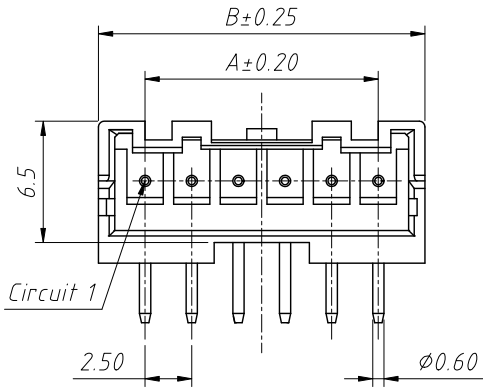
NingBo KLS ELECTRONIC CO.,L.TD.

1 RoHS Compliance



Material:
 Housing: PA66/PA9T, UL 94 V-0
 Color: Blank-Natural color
 Plating: Tin Plating

Electrical Characteristics:
 Rated Current: 3.0AMP
 Voltage rating: 250V AC, DC
 Temperature range: -25°C ~ +85°C
 Insulator Resistance: 1000MΩ Min
 Withstanding Voltage: 1000V AC/minute
 Contact Resistance: 10mΩ Max
 After environmental testing: 20mΩ Max



Recommended P.C.B Layout (T=1.60mm)
 (PCB BOARD TOLERANCE ±0.05)

Order Information:

L-KLS1-2.50J-XX-R1

L: RoHS

Pitch: 2.50mm

XX-No. of 02 ~ 15 pins

Type:

H-Housing T1/T2-Terminal

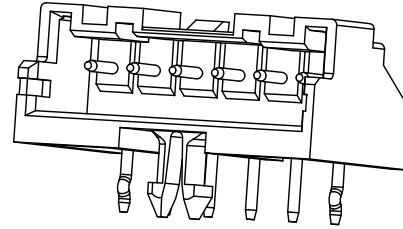
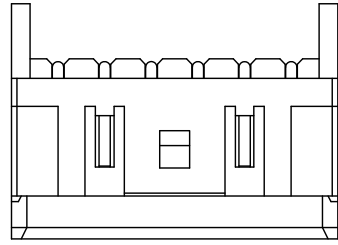
S1/S2/S3/S4-Straight pin

R1/R2-Right angle pin

Pin	Dimensions(mm)	
	A	B
02	2.50	7.50
03	5.00	10.00
04	7.50	12.50
05	10.00	15.00
06	12.50	17.50
07	15.00	20.00
08	17.50	22.50
09	20.00	25.00
10	22.50	27.50
11	25.00	30.00
12	27.50	32.50
13	30.00	35.00
14	32.50	37.50
15	35.00	40.00

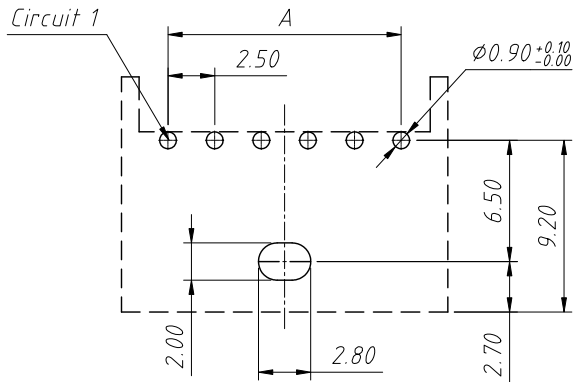
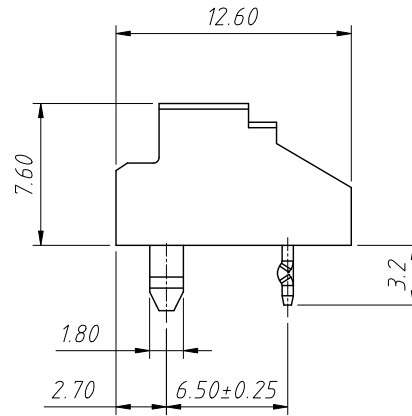
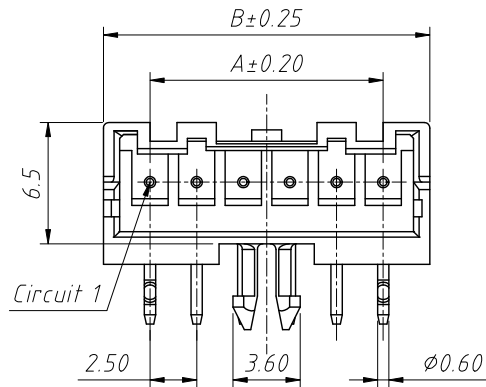
ANGLE TOLERANCE	PROJECTION	Description:	2.50mm Pitch XARP Type Wire To Board Connector
±3°			
GENERAL TOLERANCE	UNITS	mm	KLS P/N: L-KLS1-2.50J-XX-R1
x.x ±0.30	SHEET SIZE	A4	NingBo KLS ELECTRONIC CO.,L.TD.
x.xx ±0.20	Draw:	Daniel 2020-11-11	
x.xxx ±0.10	Check:	Daniel 2020-11-11	

1 RoHS Compliance



Material:
Housing:PA66/PA9T,UL94V-0
Color: Blank-Natural color
Plating: Tin Plating

Electrical Characteristics:
Rated Current:3.0AMP
Voltage rating:250V AC,DC
Temperature range:-25°C ~ + 85°C
Insulator Resistance:1000MΩ Min
Withstanding Voltage:1000V AC/minute
Contact Resistance:10mΩ Max
After environmental testing:20mΩ Max



Recommended P.C.B Layout (T=1.60mm)
(PCB BOARD TOLERANCE±0.05)

Order Information:

L-KLS1-2.50J-XX-R2

L: RoHS
Pitch:2.50mm
XX-No. of 02 ~ 15 pins
Type:
H-Housing T1/T2-Terminal
S1/S2/S3/S4-Straight pin
R1/R2-Right angle pin

Pin	Dimensions(mm)	
	A	B
02	2.50	7.50
03	5.00	10.00
04	7.50	12.50
05	10.00	15.00
06	12.50	17.50
07	15.00	20.00
08	17.50	22.50
09	20.00	25.00
10	22.50	27.50
11	25.00	30.00
12	27.50	32.50
13	30.00	35.00
14	32.50	37.50
15	35.00	40.00

ANGLE TOLERANCE		PROJECTION		Description:	
±3°				2.50mm Pitch XARP Type Wire To Board Connector	
GENERAL TOLERANCE		UNITS	mm	KLS P/N:	
x.x	±0.30	SHEET SIZE	A4	L-KLS1-2.50J-XX-R2	
x.xx	±0.20	Draw:	Daniel	2020-11-11	
x.xxx	±0.10	Check:	Daniel	2020-11-11	

NingBo KLS ELECTRONIC CO.,LTD.