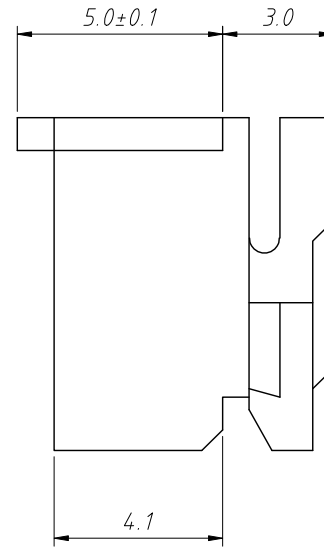
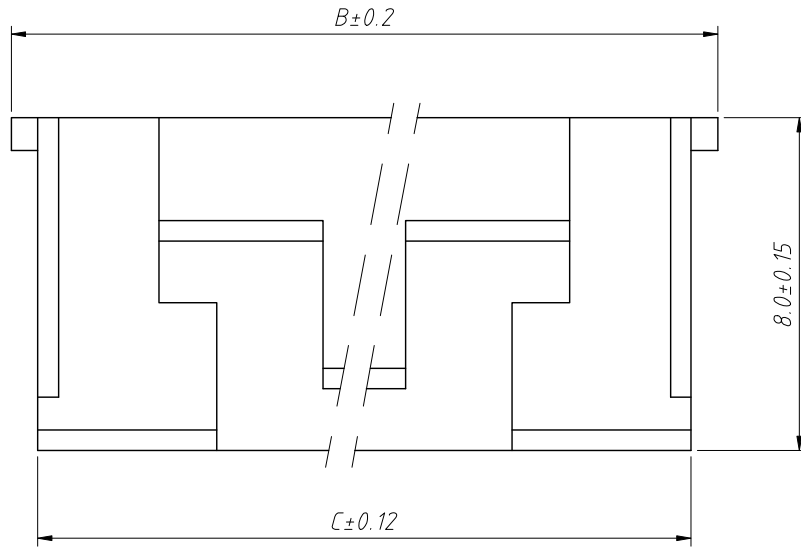


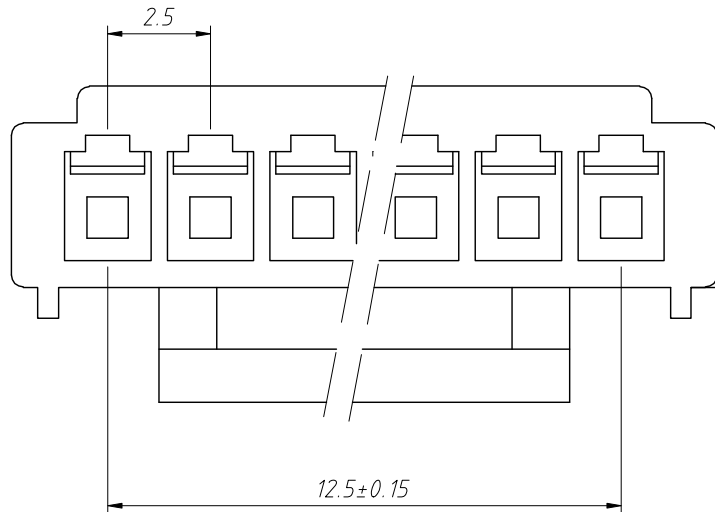
1 RoHS Compliance



Material:
Housing: PA66, UL 94V-0
Color: Blank-Natural color

Electrical Characteristics:
Rated Current: 3.0AMP
Voltage rating: 250V AC, DC
Temperature range: -25°C ~ +85°C
Insulator Resistance: 1000MΩ Min
Withstanding Voltage: 1000V AC/minute
Contact Resistance: 10mΩ Max
After environmental testing: 20mΩ Max

Pin	Dimensions(mm)		
	A	B	C
02	2.50	7.30	5.80
03	5.00	9.80	8.30
04	7.50	12.30	10.80
05	10.00	14.80	13.30
06	12.50	17.30	15.80
07	15.00	19.80	18.30
08	17.50	22.30	20.80
09	20.00	24.80	23.30
10	22.50	27.30	25.80
11	25.00	29.80	28.30
12	27.50	32.30	30.80
13	30.00	34.80	33.30
14	32.50	37.30	35.80
15	35.00	39.80	38.30
16	37.50	42.30	40.80

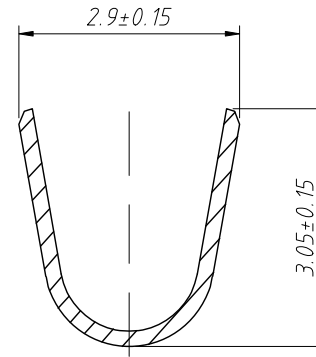
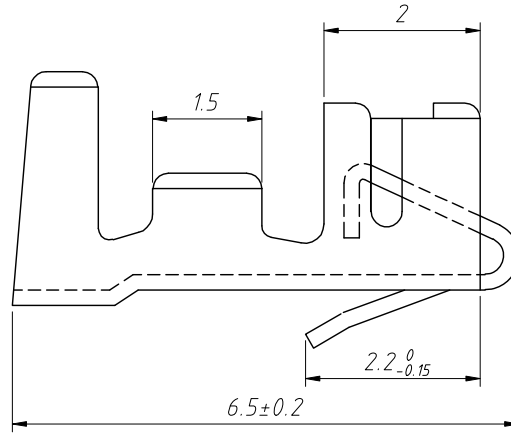
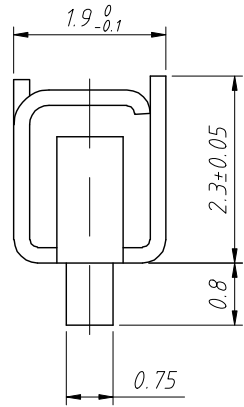


Order Information:
L-KLS1-2.50K-XX-H

L: RoHS
Pitch: 2.50mm
XX-No. of 02 ~ 16 pins
Type:
H-Housing T-Terminal
S-Straight pin R-Right angle pin

ANGLE TOLERANCE	PROJECTION	Description:	2.50mm Pitch XHS Type Wire To Board Connector	
±3°				
GENERAL TOLERANCE	UNITS	mm	KLS P/N: L-KLS1-2.50K-XX-H	
x.x ±0.30	SHEET SIZE	A4	NingBo KLS ELECTRONIC CO.,L TD.	
x.xx ±0.20	Draw:	Daniel		2020-11-11
x.xxx ±0.10	Check:	Daniel		2020-11-11

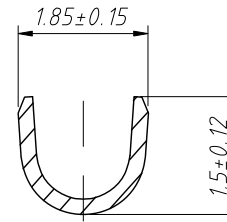
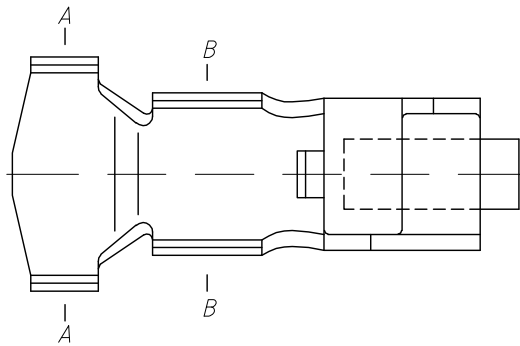
RoHS Compliance



Section A-A

Material:
Terminal: Phosphor bronze
Finish: Tin Plated
Wire Range: AWG#22-28
Insulation O.D.: 1.90mm(Max)

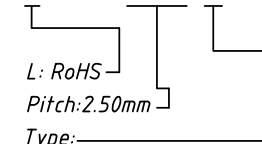
Electrical Characteristics:
Rated Current: 3.0AMP
Voltage rating: 250V AC, DC
Temperature range: -25°C ~ +85°C
Insulator Resistance: 1000MΩ Min
Withstanding Voltage: 1000V AC/minute
Contact Resistance: 10mΩ Max
After environmental testing: 20mΩ Max



Section B-B

Order Information:

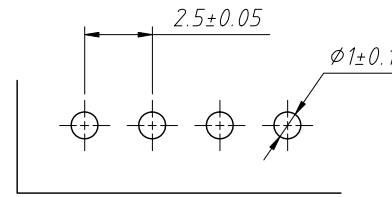
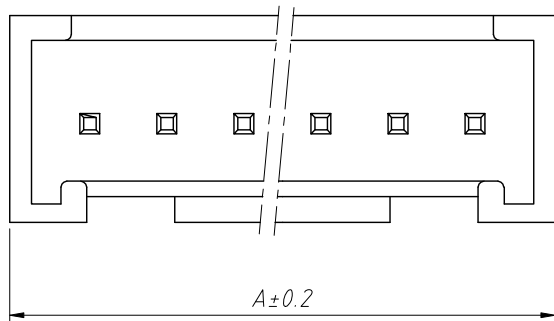
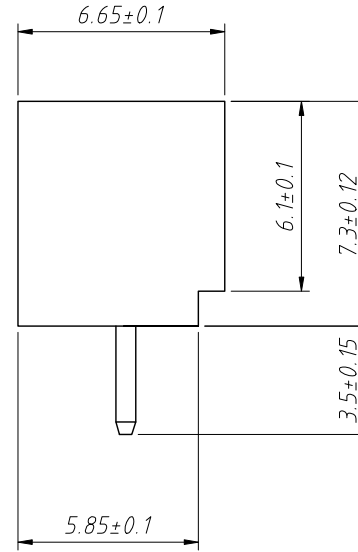
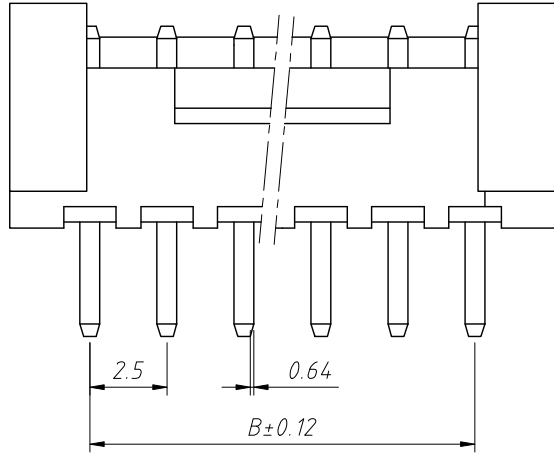
L-KLS1-2.50K-T



H-Housing T-Terminal
S-Straight pin R-Right angle pin

ANGLE TOLERANCE	PROJECTION	Description:	2.50mm Pitch XHS Type Wire To Board Connector
±3°			
GENERAL TOLERANCE	UNITS	mm	KLS P/N: L-KLS1-2.50K-T
x.x ±0.30	SHEET SIZE	A4	NingBo KLS ELECTRONIC CO.,L.TD.
x.xx ±0.20	Draw:	Daniel 2020-11-11	
x.xxx ±0.10	Check:	Daniel 2020-11-11	

1 RoHS Compliance



Recommended PCB Layout

Material:
 Housing: PA66, UL 94V-0
 Color: Blank-Natural color
 Contact : Brass
 Finish : Tin Plated

Electrical Characteristics:
 Rated Current: 3.0AMP
 Voltage rating: 250V AC, DC
 Temperature range: -25°C ~ + 85°C
 Insulator Resistance: 1000MΩ Min
 Withstanding Voltage: 1000V AC/minute
 Contact Resistance: 10mΩ Max
 After environmental testing: 20mΩ Max

Pin	Dimensions(mm)	
	A	B
02	2.50	7.50
03	5.00	10.00
04	7.50	12.50
05	10.00	15.00
06	12.50	17.50
07	15.00	20.00
08	17.50	22.50
09	20.00	25.00
10	22.50	27.50
11	25.00	30.00
12	27.50	32.50
13	30.00	35.00
14	32.50	37.50
15	35.00	40.00
16	37.50	42.50
17	40.00	45.00
18	42.50	47.50
19	45.00	50.00
20	47.50	52.50

Order Information:

L-KLS1-2.50K-XX-S

L: RoHS

Pitch: 2.50mm

XX-No. of 02 ~ 20 pins

Type:

H-Housing

T-Terminal

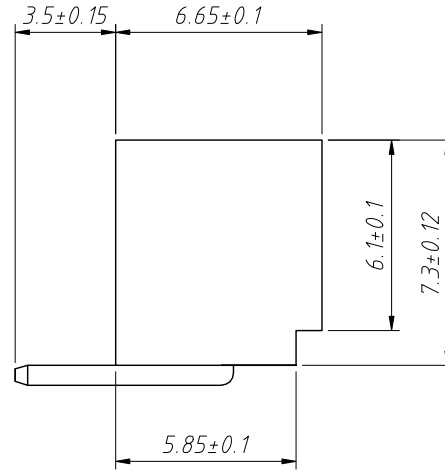
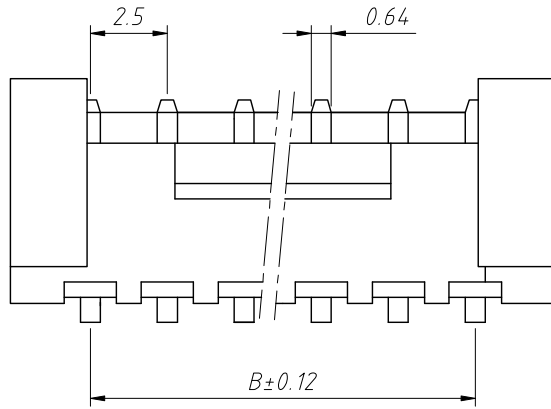
S-Straight pin R-Right angle pin

ANGLE TOLERANCE	PROJECTION	Description:	2.50mm Pitch XHS Type
±3°			Wire To Board Connector
GENERAL TOLERANCE	UNITS	mm	KLS P/N:
x.x ±0.30	SHEET SIZE	A4	L-KLS1-2.50K-XX-S
x.xx ±0.20	Draw:	Daniel	2020-11-11
x.xxx ±0.10	Check:	Daniel	2020-11-11



NingBo KLS ELECTRONIC CO.,L TD.

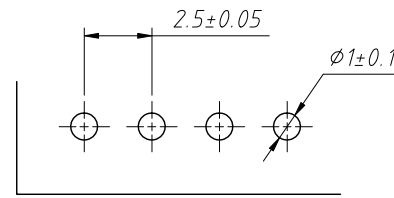
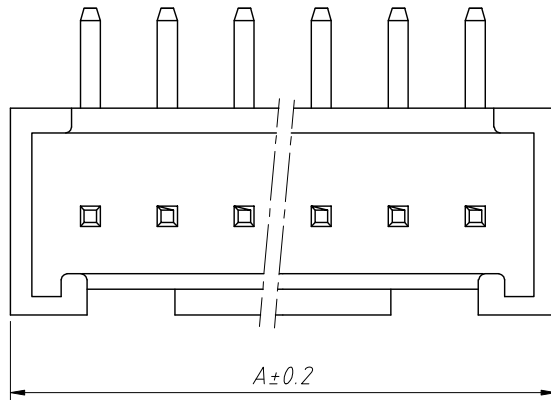
RoHS Compliance



Material:
 Housing: PA66, UL 94V-0
 Color: Blank-Natural color
 Contact: Brass
 Finish: Tin Plated

Electrical Characteristics:
 Rated Current: 3.0AMP
 Voltage rating: 250V AC, DC
 Temperature range: -25°C ~ + 85°C
 Insulator Resistance: 1000MΩ Min
 Withstanding Voltage: 1000V AC/minute
 Contact Resistance: 10mΩ Max
 After environmental testing: 20mΩ Max

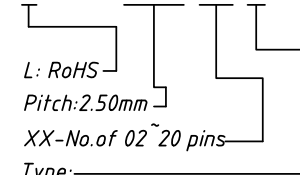
Pin	Dimensions(mm)	
	A	B
02	2.50	7.50
03	5.00	10.00
04	7.50	12.50
05	10.00	15.00
06	12.50	17.50
07	15.00	20.00
08	17.50	22.50
09	20.00	25.00
10	22.50	27.50
11	25.00	30.00
12	27.50	32.50
13	30.00	35.00
14	32.50	37.50
15	35.00	40.00
16	37.50	42.50
17	40.00	45.00
18	42.50	47.50
19	45.00	50.00
20	47.50	52.50



Recommended PCB Layout

Order Information:

L-KLS1-2.50K-XX-R



Type:
 H-Housing T-Terminal
 S-Straight pin R-Right angle pin

ANGLE TOLERANCE	PROJECTION	Description:	2.50mm Pitch XHS Type
±3°			Wire To Board Connector
GENERAL TOLERANCE	UNITS	mm	KLS P/N:
x.x ±0.30	SHEET SIZE	A4	L-KLS1-2.50K-XX-R
x.xx ±0.20	Draw:	Daniel	2020-11-11
x.xxx ±0.10	Check:	Daniel	2020-11-11



NingBo KLS ELECTRONIC CO.,L TD.