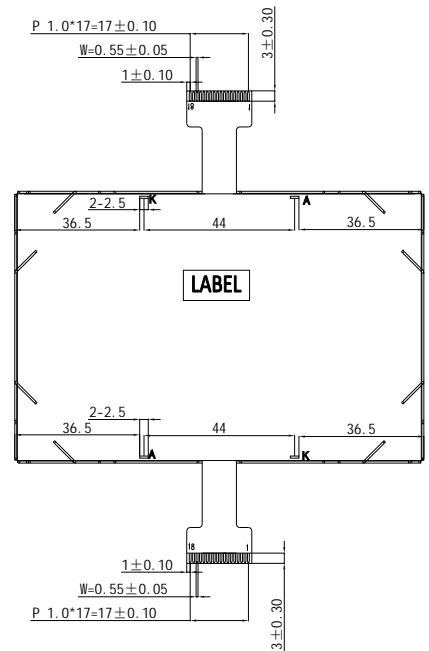
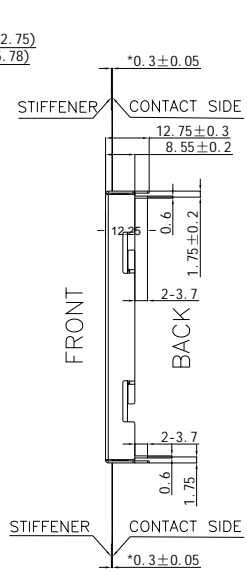
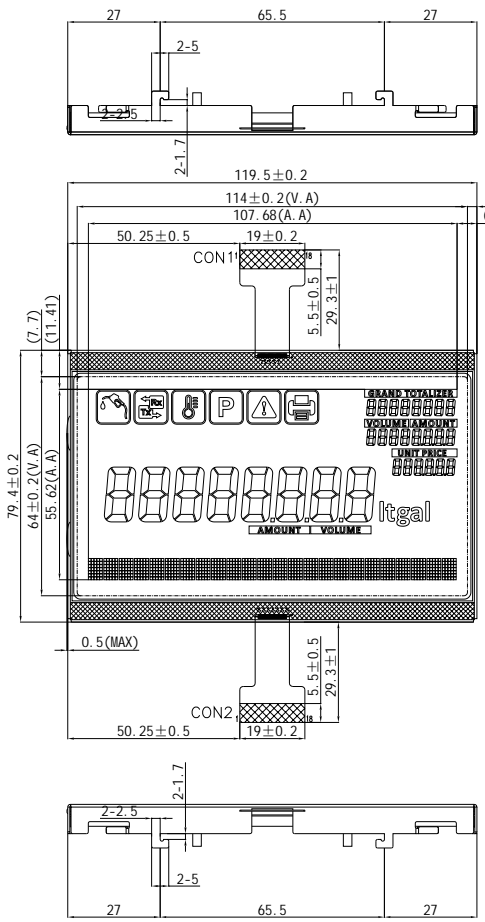
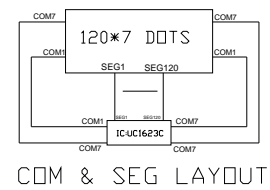


REV.	CHANGE CONTENT	BY	DATE
A	FIRST	Mr.wang	24.11.02

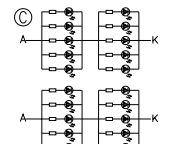


CON1 ST7037		CON2 UC1623C	
PIN	SYMBOL	PIN	SYMBOL
1	/RST	1	NC
2	/CS	2	NC
3	A0	3	VB0P
4	SI	4	VB1P
5	SCK	5	VB1N
6	VDD	6	VB0N
7	VSS	7	VLCDOUT
8	V0OUT	8	VLCDIN
9	V0IN	9	VDD
10	CAP3P	10	VSS
11	CAP1N	11	CD
12	CAP1P	12	CS0
13	CAP2P	13	RST
14	CAP2N	14	SCL
15	CAPX	15	SDAI
16	VLCDOUT	16	SDA0
17	VLCDIN	17	NC
18	NC	18	NC



HS NOTE:	
显示类型 Display type	STN(Y/G)
显示模式 Display mode	TRANSFLECTIVE/POSITIVE
视察方向 Viewing direction	12' clock
驱动方式 Driving method	1/7 DUTY, 1/5 BIAS(UC1623C)/STATIC(ST7037)
连接方式 Connector	FPC
供电电压 Operating Voltage	VDD=3.3V, V0P=7.1V(UC1623C)/V0P=3.0V(ST7037)
驱动IC Driver IC	UC1623C, ST7037
工作温度 Operation temperature	-30°C to 80°C
存储温度 Storage temperature	-40°C to 80°C
未标注公差 Unmarked tolerance	±0.3mm

### CIRCUIT DIAGRAM



Backlight LED Circuit

Backlight: 2\*10 CHIP-Y/G LED

© VF=5.0V(constant voltage),  
IF=2\*150mA(TYP double channel)

**LHD** HTDISPLAY Co., Ltd.

DESIGN	王新兴	2024.11.02
CHECKED	JYQ	2024.11.02
APPROVED	H K	2024.11.02

DRAWING No. : HS00F21G-VB	
DRAWING TITLE: LCD+BL+TK	
FILE NO. : 1	
REV. : A	SCALE: 1:1
PROJECTION:	UNIT: mm
	SHEET: 1/2

