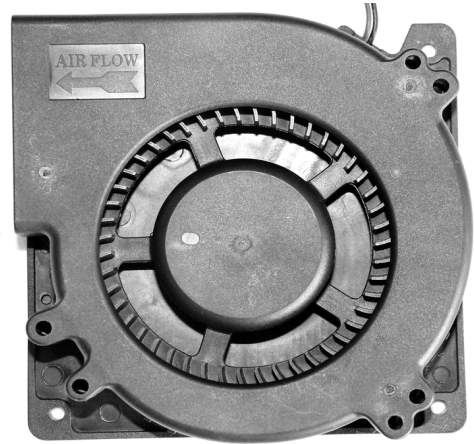




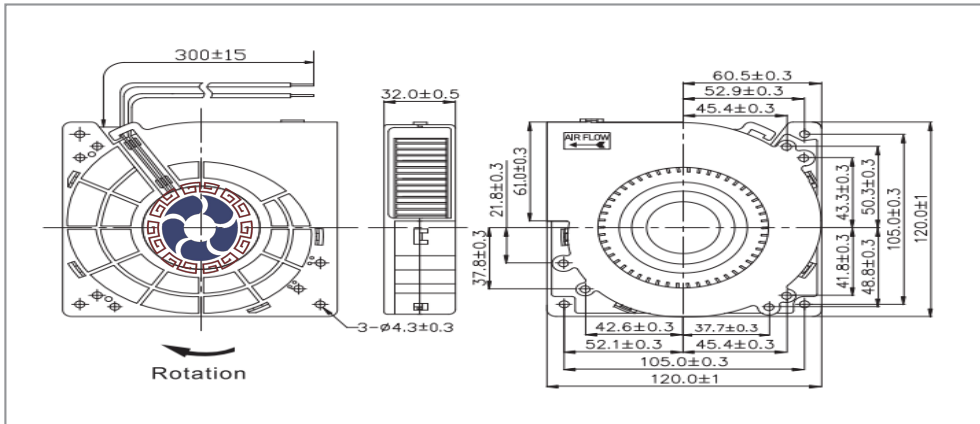
SUZHOU PF MOTOR & FAN TECHNOLOGY CO.,LTD

DC BLOWER

120x120x32mm



UNITS:mm



Model 型号	Size 尺寸	Rating Voltage (VDC) 电压	Power Current (AMP) 电流	Power Consumption (WATTS) 功率	Speed (RPM) 转速	Air Flow (CFM) 风量	Noise (dBA) 噪音	Bearing 轴承	Weight (g) 重量
PF12032D12HSL	120X120X32	12	0.40	4.80	2500	29.0	46	SLEEVE	240
PF12032D12HBL	120X120X32	12	0.40	4.80	2500	29.0	46	BALL	240
PF12032D24HSL	120X120X32	24	0.40	9.60	2800	32.0	51	SLEEVE	240
PF12032D24HBL	120X120X32	24	0.40	9.60	2800	32.0	51	BALL	240