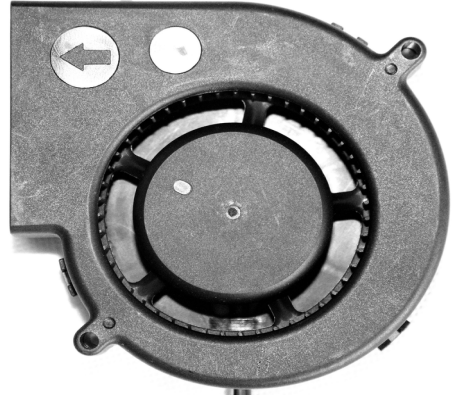




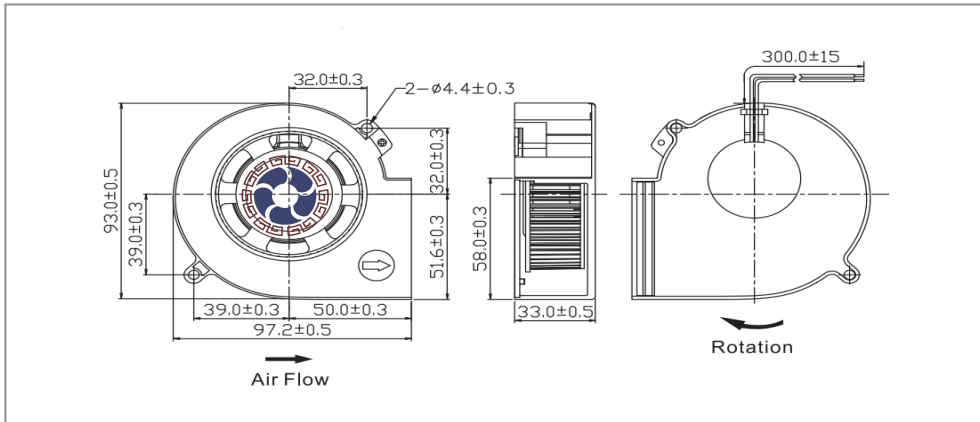
SUZHOU PF MOTOR & FAN TECHNOLOGY CO.,LTD

# DC BLOWER

**97x97x33mm**



UNITS:mm



Model 型号	Size 尺寸	Rating Voltage (VDC) 电压	Power Current (AMP) 电流	Power Consumption (WATTS) 功率	Speed (RPM) 转速	Air Flow (CFM) 风量	Noise (dBA) 噪音	Bearing 轴承	Weight (g) 重量
PF9733D12HSL	97X97X33	12	0.40	4.80	3000	19.7	48	SLEEVE	200
PF9733D12HBL	97X97X33	12	0.40	4.80	3000	19.7	48	BALL	200
PF9733D24HSL	97X97X33	24	0.25	6.00	3000	19.7	48	SLEEVE	200
PF9733D24HBL	97X97X33	24	0.25	6.00	3000	19.7	48	BALL	200