



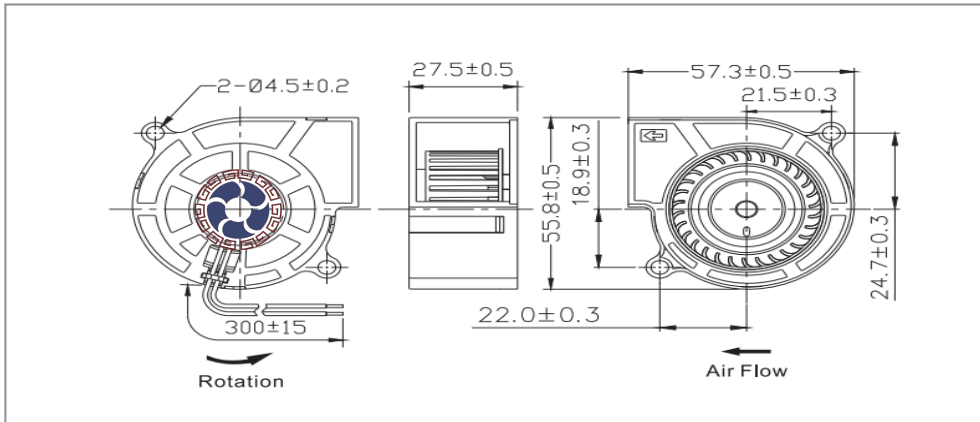
SUZHOU PF MOTOR & FAN TECHNOLOGY CO.,LTD

# DC BLOWER

60x60x28mm



UNITS:mm



Model 型号	Size 尺寸	Rating Voltage (VDC) 电压	Power Current (AMP) 电流	Power Consumption (WATTS) 功率	Speed (RPM) 转速	Air Flow (CFM) 风量	Noise (dBA) 噪音	Bearing 轴承	Weight (g) 重量
PF6028D12HSL	60X60X28	12	0.20	2.40	4000	5.50	33	SLEEVE	44
PF6028D12HBL	60X60X28	12	0.20	2.40	4000	5.50	33	BALL	44
PF6028D24HSL	60X60X28	24	0.08	1.92	4000	5.50	33	SLEEVE	44
PF6028D24HBL	60X60X28	24	0.08	1.92	4000	5.50	33	BALL	44