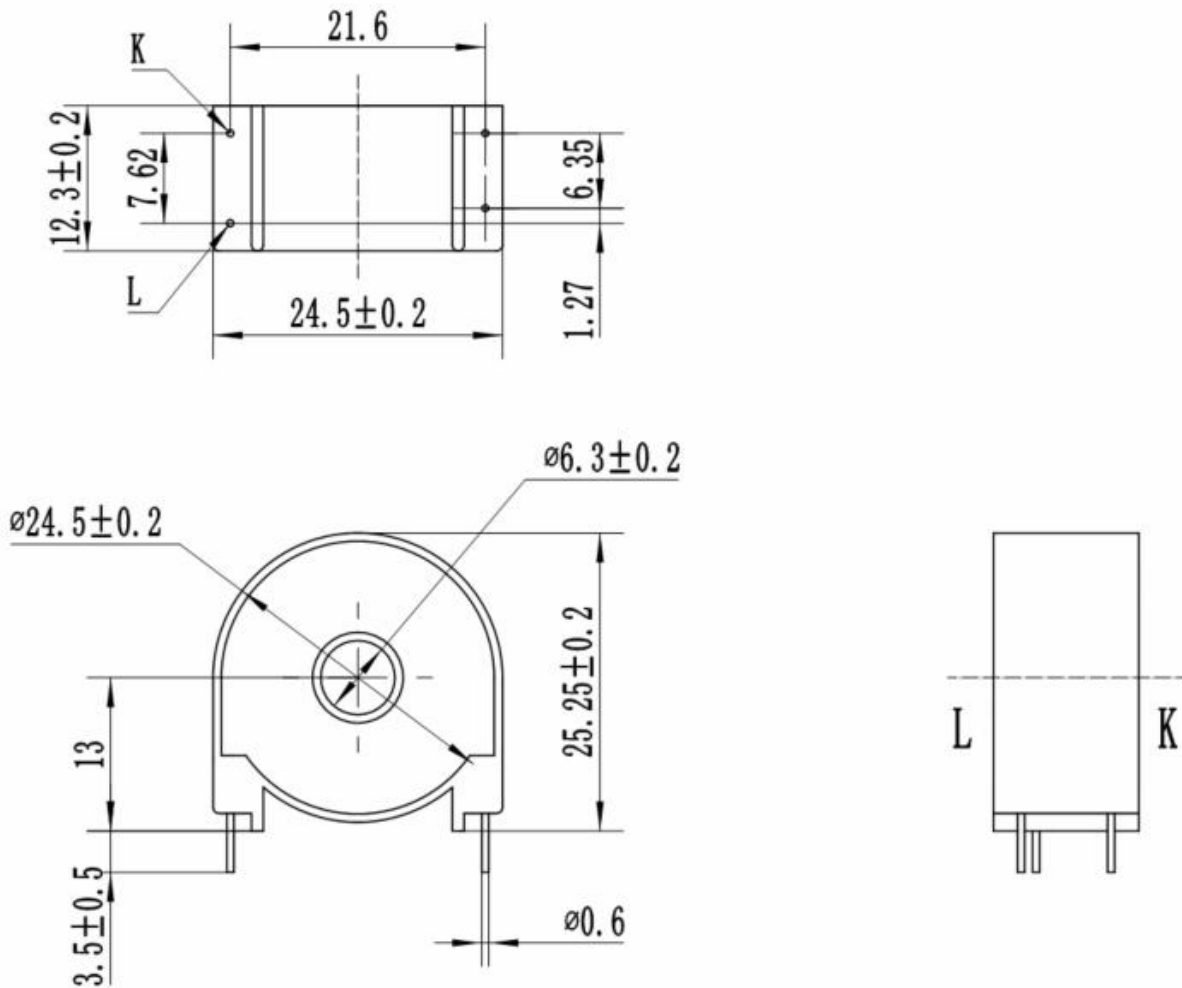


# ZMCT182 Current Transformer

Small size, high accuracy, good consistency, for current and power measurement

## Structural parameters:



**The main technical parameters:**

Model	ZMCT182
input current	0~50A (10Ω)
Rated output current	2.5mA at 5A
turns ratio	2000:1
phase angle error	≤20' (input 5A, sampling resistor 10Ω)
Accuracy class	1.0
Permissible error	-1%≤f≤+1% (input 5A, sampling resistor 10Ω)
isolation voltage	4500V
application	current and power measurement
Encapsulation	Epoxy
installation	PCB mounting
operating temperature	-40℃~+85℃

Direction for use:

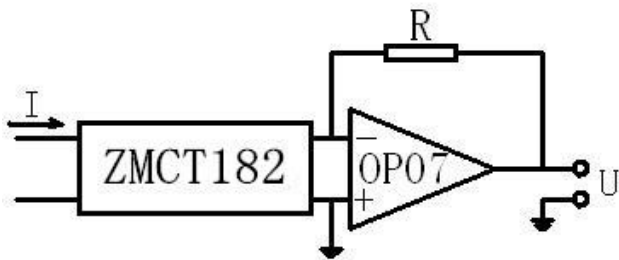
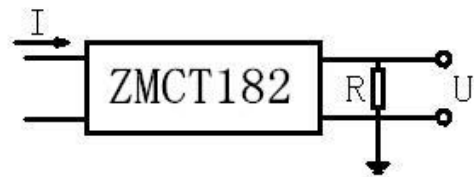


Figure I



$$U = \frac{I}{2000} \cdot R$$

I: input current  
 R: sampling resistor  
 U: sampling voltage

Figure II

1. ZMCT182 used for measurement. Typical usage is shown in Figure 1 and Figure 2. R is a sampling resistor.
2. Empty pin can not be grounded.