



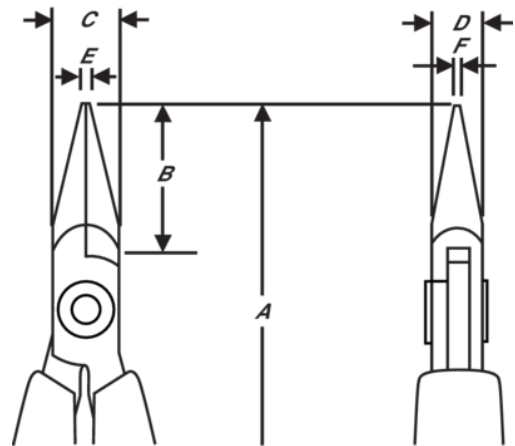
7894

Precision Needle Nose Holding Pliers with smooth Jaws & ESD Safe Handle







PRODUCT DETAILS

- Supreme series short needle nose pliers
- ESD safe mono-material handles with return spring
- High performance alloyed steel
- Polished finish
- Numerically controlled machine grinding guarantees accuracy & increases the tools reliability & consistency
- Tough hardened 42-46 HRC
- Screw joint that minimizes friction & maximizes jaw alignment
- 32 mm of smooth jaws with radiused edges



PRODUCT ATTRIBUTES

Product: **7894**

	Needle Nose		L	A	132 mm
A	5.20 in	B	32 mm	B	1.26 in
C	9 mm	C	0.35 in	D	6 mm
D	0.24 inch	E	1.5 mm	E	0.059 in
F	1.5 mm	F	0.059 in		Smooth
	56 g	Ω	Dissipative		