



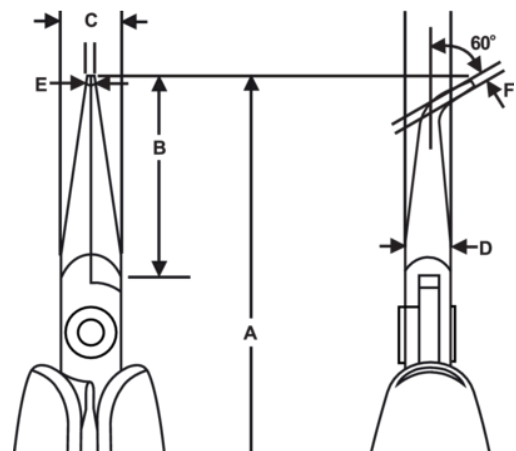
7892

## 60° Bent Tip Snipe Nose Pliers with Synthetic Handle







### PRODUCT DETAILS

- Material: High performance alloy steel
- Polished and induction hardened to 58–60 HRC
- Precision screw joint that minimizes friction and maximizes jaw alignment
- ESD safe handles in synthetic material with leaf springs
- Natural finish



PRODUCT ATTRIBUTES

Product: **7892**

	Bent Nose		M	<b>A</b>	129 mm
<b>A</b>	5.08 in	<b>B</b>	29 mm	<b>B</b>	1.14 in
<b>C</b>	9 mm	<b>C</b>	0.35 in	<b>D</b>	6 mm
<b>D</b>	0.24 inch	<b>E</b>	1.2 mm	<b>E</b>	0.05 in
<b>F</b>	0.8 mm	<b>F</b>	0.03 in		Smooth
	73 g	<b>Ω</b>	Dissipative		