



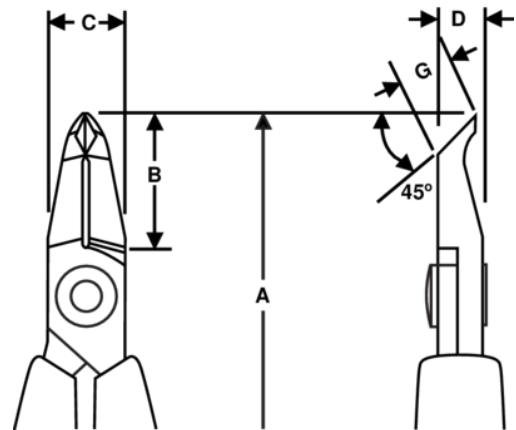
7285

Precision 45° Oblique Cutters 0.2 mm-1 mm








PRODUCT DETAILS

- Material: High performance alloy steel
- Polished and precision induction hardened to 58–60 HRC
- Precision screw joint that minimizes friction and maximizes alignment of cutting edges
- ESD safe handles in synthetic material with leaf springs
- Cutting capacity is listed for solid cooper wire



PRODUCT ATTRIBUTES

Product: **7285**

	Angle 45°		S		Flush
	0.2-1.0 mm	A	120 mm	A	4.72 in
B	20 mm	B	0.79 in	C	9 mm
C	0.35 in	D	6 mm	D	0.24 inch
F	6 mm	F	0.26 in		56 g
Ω	Dissipative				