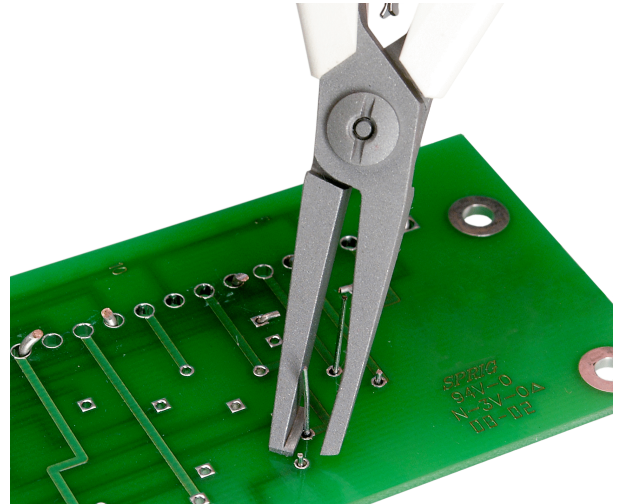




**RX112A-0.3 - RX112A-2.0**  
**ERGO™ Specials, Straight**  
**Standoff .040" Shear Cutter**






**PRODUCT DETAILS**

- Uncut lead capacity: 0.75"
- 1.9 mm
- Anti-shock lead trimmer for use on 20 AWG (0.813 mm) or smaller copper wire
- To order a standoff other than 0.040", state the length (for example, for 0.030" standoff, order part no. 112A-030)
- Tool length: 4.5 in.
- 114.3 mm
- Illustration shows Supreme series handle
- ESD Safe
- Standoff is 0.040" (1 mm) unless otherwise specified



**PRODUCT ATTRIBUTES**

Product			
<b>RX112A-0.3</b>	114.3 mm	4.5 in	58 g
<b>RX112A-1.0</b>	114.3 mm	4.5 in	58 g
<b>RX112A-1.5</b>	114.3 mm	4.5 in	58 g
<b>RX112A-2.0</b>	114.3 mm	4.5 in	58 g