

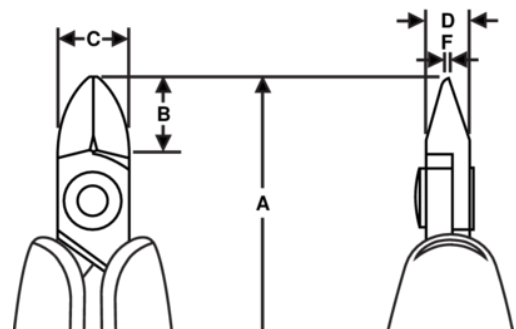


**RX8130-RX8162**  
**ERGO™ Precision Diagonal**  
**Cutters with Oval Head**



**PRODUCT DETAILS**

- Ideal for cutting leads, jewelry wire, and general assembly applications
- Two-component ESD safe Ergo™ handles: Thermoplastic surface on tough polypropylene provides superior grip
- Material: High performance alloy steel
- Precision induction hardened cutting edges 63–65 HRC
- Micro-Touch™: The shape of the handles makes it possible to control and rotate the pliers between thumb and index finger for precision work
- Precision screw joint minimizes friction and maximizes alignment of cutting edges
- Biospring® reduces tension throughout the working cycle of the tool and can be adjusted in three different positions
- Cutting capacity is listed for solid copper wire
- Burnished finish



# PRODUCT ATTRIBUTES

**Product: RX-8130**

	Oval		XS	<b>A</b>	133.5 mm
<b>A</b>	5.25 in	<b>B</b>	8.5 mm	<b>B</b>	0.33 in
<b>C</b>	8 mm	<b>C</b>	0.31 in	<b>D</b>	5 mm
<b>D</b>	0.2 inch	<b>F</b>	0.8 mm	<b>F</b>	0.03 in
	0.2-1.0 mm		0.00 - 0.04 in		Micro-Bevel®
<b>g</b>	68 g		Dissipative		

**Product: RX-8131**

	Oval		XS	<b>A</b>	133.5 mm
<b>A</b>	5.25 in	<b>B</b>	8.5 mm	<b>B</b>	0.33 in
<b>C</b>	8 mm	<b>C</b>	0.31 in	<b>D</b>	5 mm
<b>D</b>	0.2 inch	<b>F</b>	0.8 mm	<b>F</b>	0.03 in
	0.1-1.0 mm		0.00 - 0.04 in		Flush
<b>g</b>	68 g		Dissipative		

**Product: RX-8132**

	Oval		XS	<b>A</b>	133.5 mm
<b>A</b>	5.25 in	<b>B</b>	8.5 mm	<b>B</b>	0.33 in
<b>C</b>	8 mm	<b>C</b>	0.31 in	<b>D</b>	5 mm
<b>D</b>	0.2 inch	<b>F</b>	0.8 mm	<b>F</b>	0.03 in
	0.1-0.8 mm		0.00-0.03 in		Ultra-Flush®
<b>g</b>	68 g		Dissipative		

**Product: RX-8140**

	Oval		S	<b>A</b>	135.5 mm
<b>A</b>	5.33 in	<b>B</b>	10.5 mm	<b>B</b>	0.41 in
<b>C</b>	10 mm	<b>C</b>	0.39 in	<b>D</b>	6 mm
<b>D</b>	0.24 inch	<b>F</b>	0.8 mm	<b>F</b>	0.03 in
	0.2-1.25 mm		0.00-0.05 in		Micro-Bevel®
<b>g</b>	70 g		Dissipative		

**Product: RX-8141**

	Oval		S	<b>A</b>	135.5 mm
<b>A</b>	5.33 in	<b>B</b>	10.5 mm	<b>B</b>	0.41 in
<b>C</b>	10 mm	<b>C</b>	0.39 in	<b>D</b>	6 mm
<b>D</b>	0.24 inch	<b>F</b>	0.8 mm	<b>F</b>	0.03 in
	0.1-1.25 mm		0.00-0.05 in		Flush
<b>g</b>	70 g		Dissipative		

**Product: RX8142**

	Oval		S	<b>A</b>	135.5 mm
<b>A</b>	5.33 in	<b>B</b>	10.5 mm	<b>B</b>	0.41 in
<b>C</b>	10 mm	<b>C</b>	0.39 in	<b>D</b>	6 mm
<b>D</b>	0.24 inch	<b>F</b>	0.8 mm	<b>F</b>	0.03 in
	0.1-1.0 mm		0.00-0.04 in		Ultra-Flush®
<b>g</b>	70 g		Dissipative		

**Product: RX-8150**

	Oval		M	<b>A</b>	138.0 mm
<b>A</b>	5.43 in	<b>B</b>	13 mm	<b>B</b>	0.51 in
<b>C</b>	12.5 mm	<b>C</b>	0.49 in	<b>D</b>	6 mm
<b>D</b>	0.24 inch	<b>F</b>	1.2 mm	<b>F</b>	0.05 in
	0.3-1.6 mm		0.01-0.06 in		Micro-Bevel®
<b>g</b>	73 g		Dissipative		

**Product: RX-8151**

	Oval		M	<b>A</b>	138.0 mm
<b>A</b>	5.43 in	<b>B</b>	13 mm	<b>B</b>	0.51 in
<b>C</b>	12.5 mm	<b>C</b>	0.49 in	<b>D</b>	6 mm
<b>D</b>	0.24 inch	<b>F</b>	1.2 mm	<b>F</b>	0.05 in
	0.2-1.6 mm		0.00-0.06 in		Flush
<b>g</b>	73 g		Dissipative		

**Product: RX-8152**

	Oval		M	<b>A</b>	138.0 mm
<b>A</b>	5.43 in	<b>B</b>	13 mm	<b>B</b>	0.51 in
<b>C</b>	12.5 mm	<b>C</b>	0.49 in	<b>D</b>	6 mm
<b>D</b>	0.24 inch	<b>F</b>	1.2 mm	<b>F</b>	0.05 in
	0.2-1.25 mm		0.00-0.05 in		Ultra-Flush®
<b>g</b>	73 g		Dissipative		

**Product: RX-8160**

	Oval		L	<b>A</b>	147.0 mm
<b>A</b>	5.80 in	<b>B</b>	16 mm	<b>B</b>	0.63 in
<b>C</b>	16 mm	<b>C</b>	0.63 in	<b>D</b>	8 mm
<b>D</b>	0.31 inch	<b>F</b>	1.6 mm	<b>F</b>	0.06 in
	0.4-2.0 mm		0.02 - 0.08 in		Micro-Bevel®
<b>g</b>	97 g		Dissipative		

**Product: RX-8161**

	Oval		L	<b>A</b>	147.0 mm
<b>A</b>	5.80 in	<b>B</b>	16 mm	<b>B</b>	0.63 in
<b>C</b>	16 mm	<b>C</b>	0.63 in	<b>D</b>	8 mm
<b>D</b>	0.31 inch	<b>F</b>	1.6 mm	<b>F</b>	0.06 in
	0.3-2.0 mm		0.01 - 0.08 in		Flush
<b>g</b>	97 g		Dissipative		

**Product: RX8162**

	Oval		L	<b>A</b>	147.0 mm
<b>A</b>	5.80 in	<b>B</b>	16 mm	<b>B</b>	0.63 in
<b>C</b>	16 mm	<b>C</b>	0.63 in	<b>D</b>	8 mm
<b>D</b>	0.31 inch	<b>F</b>	1.6 mm	<b>F</b>	0.06 in
	0.3-1.6 mm		0.01 - 0.06 in		Ultra-Flush®
<b>g</b>	97 g		Dissipative		