



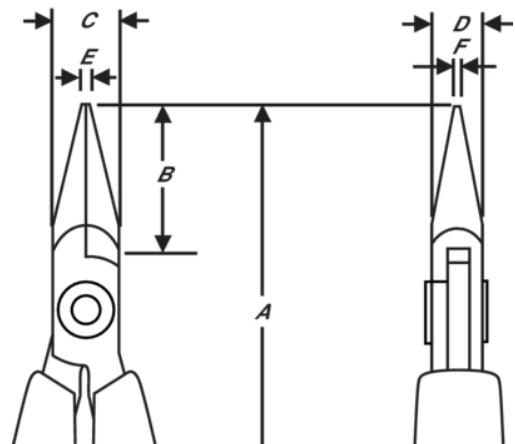
## RX-7894

### Precision Diagonal Cutters with Tapered Head & ESD Safe Handle







#### PRODUCT DETAILS

- Developed according to the ERGO® process for a comfortable and effective grip in all situations
- Material: High performance alloy steel
- Polished and tough hardened 55-58 HRC
- Precision screw joint that minimizes friction and maximizes alignment of jaw alignment
- Micro-Touch™: The shape of the handles makes it possible to control and rotate the pliers between thumb and index finger for precision work
- Biospring® reduces tension throughout the working cycle of the tool and can be easily adjusted in three different positions



PRODUCT ATTRIBUTES

Product: **RX-7894**

|   |             |   |         |   |          |
|---|-------------|---|---------|---|----------|
|  | Needle Nose |  | L       | <b>A</b>  | 158.5 mm |
| <b>A</b>  | 6.24 in     | <b>B</b>  | 32 mm   | <b>B</b>  | 1.26 in  |
| <b>C</b>  | 9 mm        | <b>C</b>  | 0.35 in | <b>D</b>  | 6 mm     |
| <b>D</b>  | 0.24 inch   | <b>E</b>  | 1.5 mm  | <b>E</b>  | 0.059 in |
| <b>F</b>  | 1.5 mm      | <b>F</b>  | 0.59 in |  | Smooth   |
|  | 70 g        |   |         |   |          |