



**RX7892**

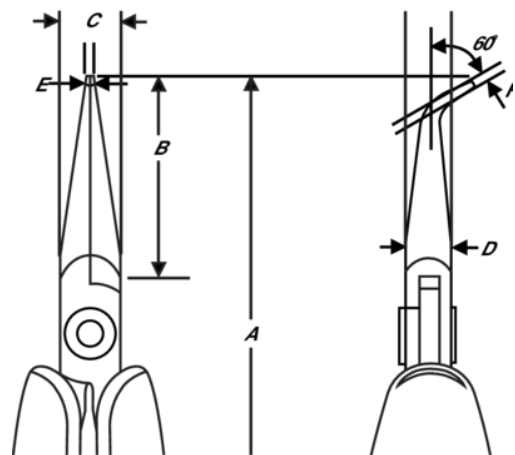
**ERGO™ 60° Bent Tip Snipe Nose Pliers with Dual-Component Synthetic Handle**



**PRODUCT DETAILS**





- Two-component ESD Safe Ergo™ handles: thermoplastic surface on tough polypropylene provides superior grip
- Polished and tough hardened cutting edges to 55-58 HRC
- Precision screw joint minimizes friction and maximizes alignment of cutting edges

- Micro-Touch™: The shape of the handles makes it possible to control and rotate the pliers between thumb and index finger for precision work
- Biospring® reduces tension throughout the working cycle of the tool and can be adjusted in three different positions



PRODUCT ATTRIBUTES

Product: **RX7892**

	Bent Nose		M	<b>A</b>	155.5 mm
<b>A</b>	6.12 in	<b>B</b>	29 mm	<b>B</b>	1.14 in
<b>C</b>	9 mm	<b>C</b>	0.35 in	<b>D</b>	6.7 mm
<b>D</b>	0.26 inch	<b>E</b>	1.2 mm	<b>E</b>	0.05 in
<b>F</b>	0.8 mm	<b>F</b>	0.03 in		Smooth
	73 g				