

SUZHOU PF MOTOR & FAN TECHNOLOGY CO.,LTD

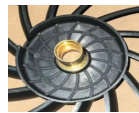
SPECIFICATION FOR APPROVAL

CUSTOMER:

DESCRIPTION: BRUSHLESS DC FAN

DIMENSIONS: 120×120×38mm

MODEL NO.: PF12038DC P/N:PF12038D24MBL-PF



Copper tube

DRAW BY: Crize

CHECK BY: Cristina

APPROVED BY:

http://www.pfmotorfan.com Email: sales@pfmotorfan.com	SPEC NO.	PF12038D24MBL-PF	REVISE DATE	18 Nov.2019
	PAGE	1 OF 7	ISSUE DATE	08 Aug.2001

SUZHOU PF MOTOR & FAN TECHNOLOGY CO.,LTD

SPECIFICATIONS

1.	Rated Voltage	24VDC
2.	Operating Voltage Range	12-27.5VDC
3.	Starting Voltage	12VDC
4.	Rated Speed	3000 RPM±5%
5.	Air Flow	157 CFM
6.	Static Pressure	20.64 mmH ₂ O
7.	Rated Current	0.43Amp
8.	Input Power	10.3Watts
9.	Noise Level	40.2dB(A)
10.	Direction of Rotation	Counter-Clockwise
11.	Motor Protection	Impedance Protected
12.	Operation Temperature	-20°C-80°C
13.	Operation Humidity	20%-80%
14.	Bearing System	Ball Bearing
15.	Life at 25°C	50,000hours
16.	Weight	350 g
17.	Approvals	CE RoHS
18.	Protection	Polarity Protection

http://www.pfmotorfan.com Email: sales@pfmotorfan.com	SPEC NO.	PF12038D24MBL-PF	REVISE DATE	18 Nov.2019
	PAGE	2 OF 7	ISSUE DATE	08 Aug.2001

SUZHOU PF MOTOR & FAN TECHNOLOGY CO.,LTD

DESCRIPTION

1.	Motor Design	Reliable Brushless Motor Construction
2.	Insulation resistance	10 Mega-ohms minimum at 500 VDC
3.	Dielectric Strength	500VAC/min, current<5mA
4.	Motor Protection	Impedance protected
5.	Noise Level	Measured in a semi-anechoic chamber With background noise level below 15 dBA. The fan is running in free air with Microphone at a distance of one meter From the fan intake.
6.	Air Performance	Measured by a double chamber. The value is recorded when the fan speed is stabilized at rated voltage
7.	Tolerances	±15% on rated power and current

http://www.pfmotorfan.com Email: sales@pfmotorfan.com	SPEC NO.	PF12038D24MBL-PF	REVISE DATE	18 Nov.2019
	PAGE	3 OF 7	ISSUE DATE	08 Aug.2001

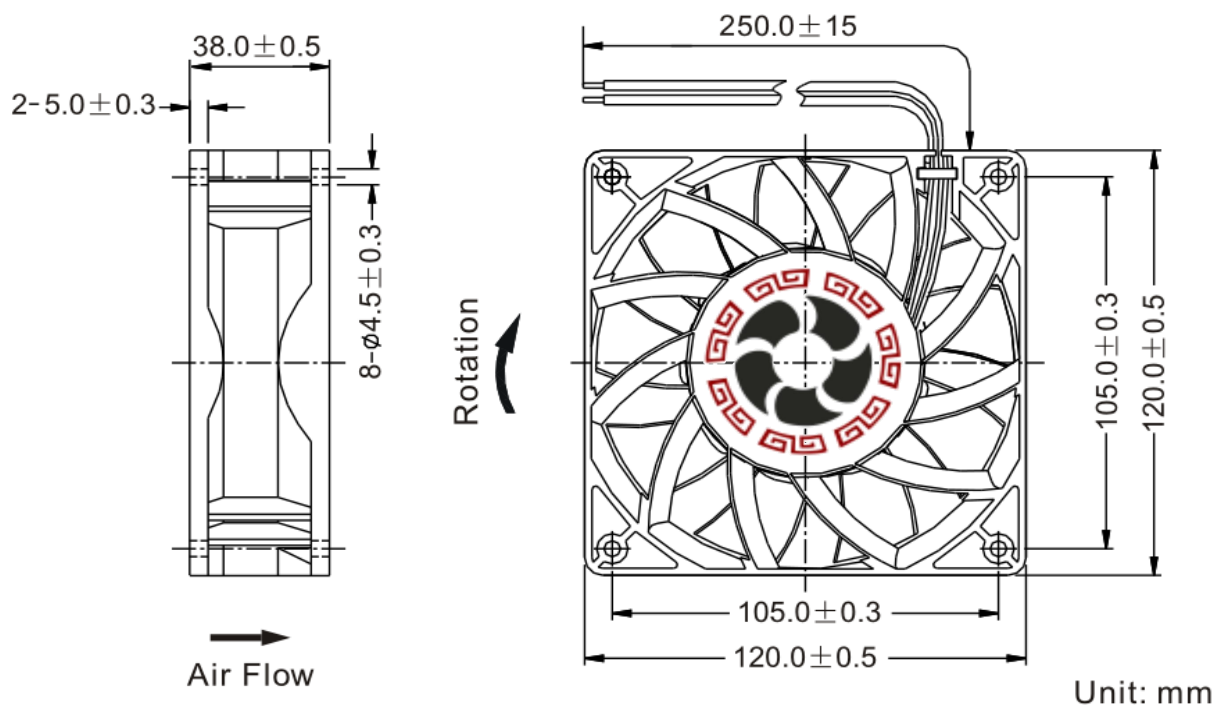
SUZHOU PF MOTOR & FAN TECHNOLOGY CO.,LTD

MATERIAL

Materials

1.	Frame	UNFIRED PBT UL94V-0
2.	Blade	UNFIRED PBT UL94V-0
3.	Lead Wire	24AWG

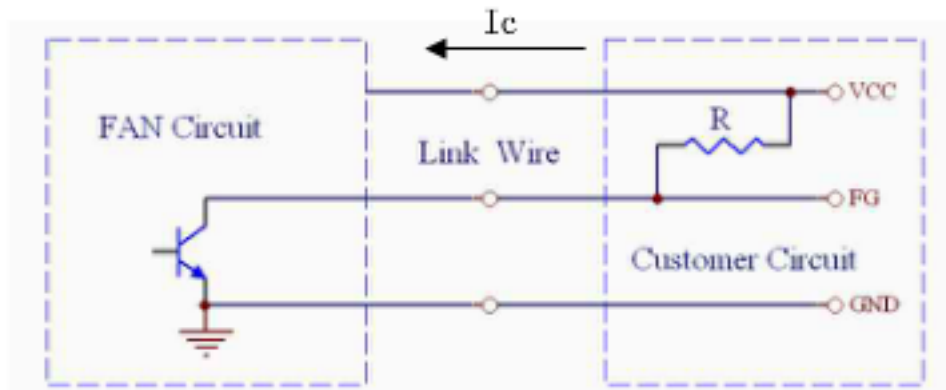
DIMENSIONS



http://www.pfmotorfan.com Email: sales@pfmotorfan.com	SPEC NO.	PF12038D24MBL-PF	REVISE DATE	18 Nov.2019
	PAGE	4 OF 7	ISSUE DATE	08 Aug.2001

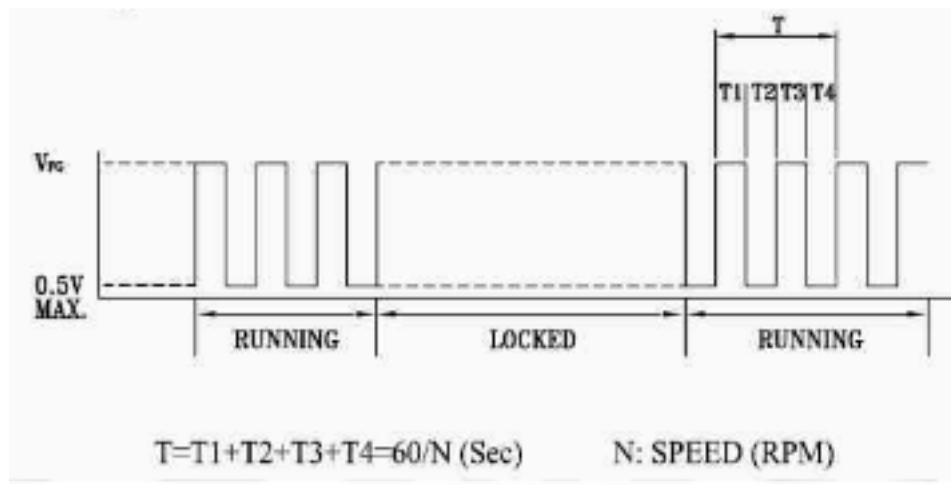
SUZHOU PF MOTOR & FAN TECHNOLOGY CO.,LTD

FG FUNCTION



$$R \geq V(\text{FG})/I_c$$

$$I_c = 10\text{mA (Max.)}$$



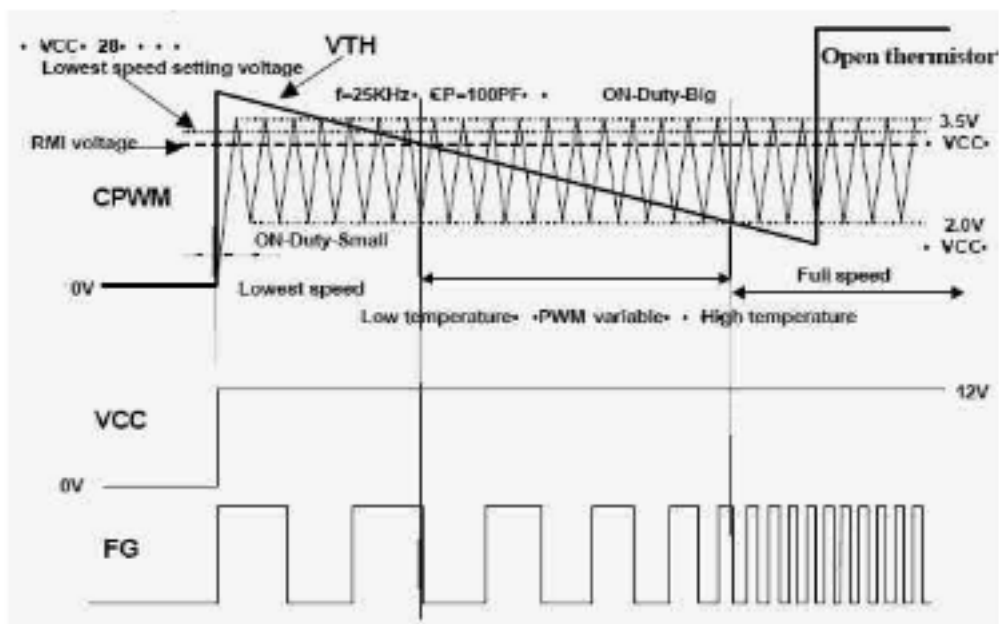
$$T = T_1 + T_2 + T_3 + T_4 = 60/N \text{ (Sec)}$$

$$N: \text{SPEED (RPM)}$$

http://www.pfmotorfan.com Email: sales@pfmotorfan.com	SPEC NO.	PF12038D24MBL-PF	REVISE DATE	18 Nov.2019
	PAGE	5 OF 7	ISSUE DATE	08 Aug.2001

SUZHOU PF MOTOR & FAN TECHNOLOGY CO.,LTD

PWM FUNCTION



http://www.pfmotorfan.com Email: sales@pfmotorfan.com	SPEC NO.	PF12038D24MBL-PF	REVISE DATE	18 Nov.2019
	PAGE	6 OF 7	ISSUE DATE	08 Aug.2001

SUZHOU PF MOTOR & FAN TECHNOLOGY CO.,LTD

NOTES

1. PF MOTOR will not guarantee the products if the application of our products is exceeded the limitation, which is specified on this specification.
2. In case of change of the specification specified on this document, a written notice is requested in advance.
3. Please do not touch the impeller with pressure and never bring the fan with lead wire. The bearings and lead wire may be damaged.
4. No guarantee on the products against the safety problem or failure caused by powder dust, drop of water or insect
5. If there is any data or related documentation different from this data sheet, this data sheet is the principal reference.
6. For the purpose of MIS, please indicate SPEC No. on every order.
7. In case of the fan has no polarity protection function, wires with same color (i.e. red + red, black +black)

http://www.pfmotorfan.com Email: sales@pfmotorfan.com	SPEC NO.	PF12038D24MBL-PF	REVISE DATE	18 Nov.2019
	PAGE	7 OF 7	ISSUE DATE	08 Aug.2001