

# SUZHOU PF MOTOR & FAN TECHNOLOGY CO., LTD

---

## ***SPECIFICATION FOR APPROVAL***

CUSTOMER: Ozdisan

DESCRIPTION: BRUSHLESS DC FAN

DIMENSIONS: 60×60×20MM

MODEL NO.: PF6020DC P/N:PF6020D24HB-ARK



DRAW BY: David Zhang

CHECK BY: Charlie Chen

APPROVED BY:

<a href="http://www.pfmotorfan.com">http://www.pfmotorfan.com</a> Email: sales@pfmotorfan.com	SPEC NO.	PF6020D24HB-ARK	REVISE DATE	21 Nov.2019
	PAGE	1 OF 5	ISSUE DATE	08 Aug.2001

# SUZHOU PF MOTOR & FAN TECHNOLOGY CO., LTD

## ***SPECIFICATIONS***

1.	Rated Voltage	24VDC
2.	Operating Voltage Range	12-40VDC
3.	Starting Voltage	12VDC
4.	Rated Speed	5000 RPM±5%
5.	Air Flow	26.6 CFM
6.	Static Pressure	5.6 mmH <sub>2</sub> O
7.	Rated Current	0.10Amp
8.	Input Power	2.40Watts
9.	Noise Level	37.9dB(A)
10.	Direction of Rotation	Counter-Clockwise
11.	Motor Protection	Impedance Protected
12.	Operation Temperature	-20°C-80°C
13.	Operation Humidity	20%-80%
14.	Bearing System	Ball Bearing
15.	Life at 25°C	50,000hours
16.	Weight	50 g
17.	Approvals	CE      RoHS
18.	Function	Auto Restart / Rvised Protection

<a href="http://www.pfmotorfan.com">http://www.pfmotorfan.com</a> Email: sales@pfmotorfan.com	SPEC NO.	PF6020D24HB-ARK	REVISE DATE	21 Nov.2019
	PAGE	2 OF 5	ISSUE DATE	08 Aug.2001

# SUZHOU PF MOTOR & FAN TECHNOLOGY CO., LTD

## ***DESCTIPTION***

1.	Motor Design	Reliable Brushless Motor Construction
2.	Insulation resistance	10 Mega-ohms minimum at 500 VDC
3.	Dielectric Strength	500VAC/min, current<5mA
4.	Motor Protection	Impedance protected
5.	Noise Level	Measured in a semi-anechoic chamber With background noise level below 15 dBA. The fan is running in free air with Microphone at a distance of one meter From the fan intake.
6.	Air Performance	Measured by a double chamber. The value is recorded when the fan speed is stabilized at rated voltage
7.	Tolerances	±15% on rated power and current

<a href="http://www.pfmotorfan.com">http://www.pfmotorfan.com</a> Email: sales@pfmotorfan.com	SPEC NO.	PF6020D24HB-ARK	REVISE DATE	21 Nov.2019
	PAGE	3 OF 5	ISSUE DATE	08 Aug.2001

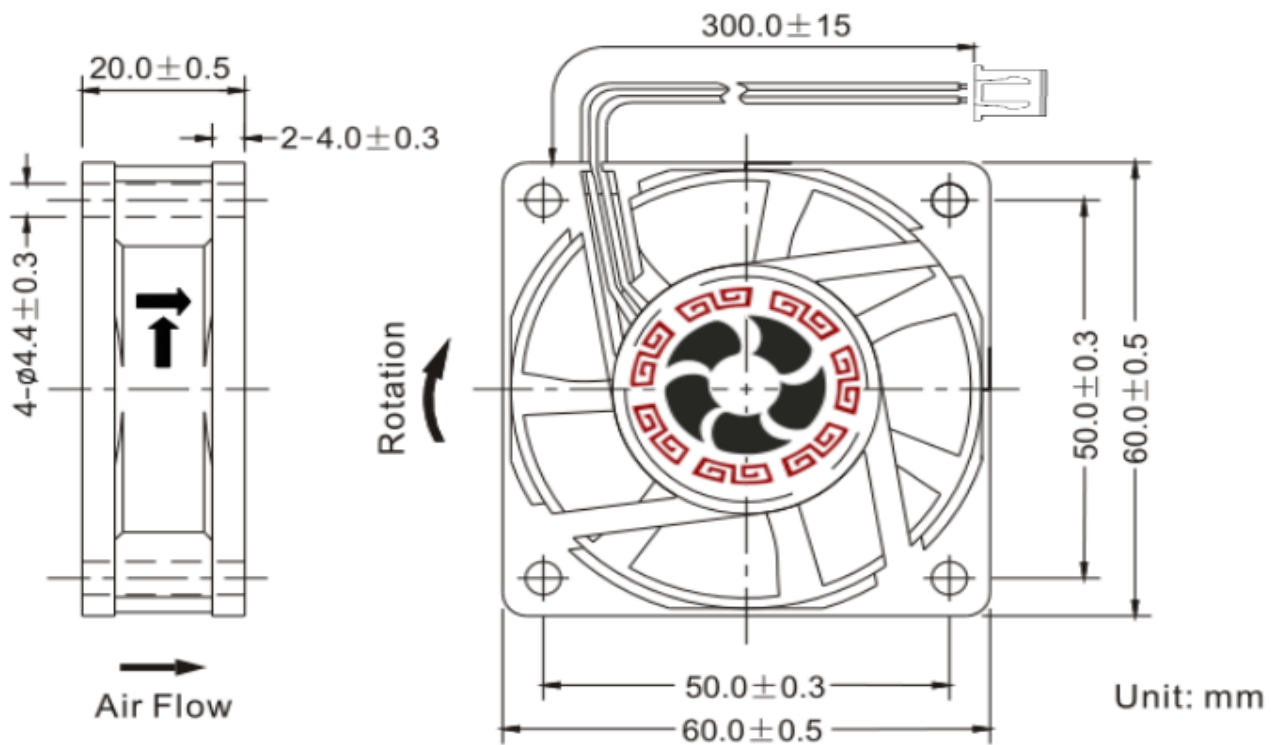
# SUZHOU PF MOTOR & FAN TECHNOLOGY CO., LTD

## **MATERIAL**

### Materials

1.	Frame	Thermoplastic PBT
2.	Blade	Thermoplastic PBT
3.	Lead Wire	26AWG

## **DIMENSIONS**



<a href="http://www.pfmotorfan.com">http://www.pfmotorfan.com</a> Email: sales@pfmotorfan.com	SPEC NO.	PF6020D24HB-ARK	REVISE DATE	21 Nov.2019
	PAGE	4 OF 5	ISSUE DATE	08 Aug.2001

# SUZHOU PF MOTOR & FAN TECHNOLOGY CO., LTD

## NOTES

1. PF MOTOR & FAN will not guarantee the products if the application of our products is exceeded the limitation, which is specified on this specification.
2. In case of change of the specification specified on this document, a written notice is requested in advance.
3. Please do not touch the impeller with pressure and never bring the fan with lead wire. The bearings and lead wire may be damaged.
4. No guarantee on the products against the safety problem or failure caused by powder dust, drop of water or insect
5. If there is any data or related documentation different from this data sheet, this data sheet is the principal reference.
6. For the purpose of MIS, please indicate SPEC No. on every order.
7. In case of the fan has no polarity protection function, wires with same color (i.e. red + red, black +black)

<a href="http://www.pfmotorfan.com">http://www.pfmotorfan.com</a> Email: sales@pfmotorfan.com	SPEC NO.	PF6020D24HB-ARK	REVISE DATE	21 Nov.2019
	PAGE	5 OF 5	ISSUE DATE	08 Aug.2001