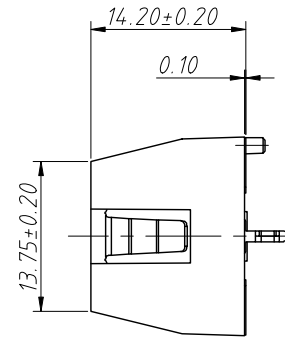
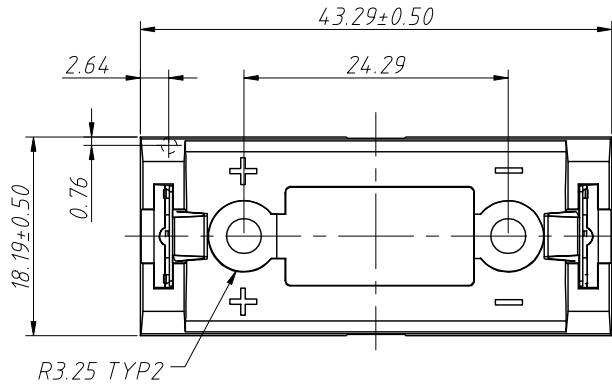
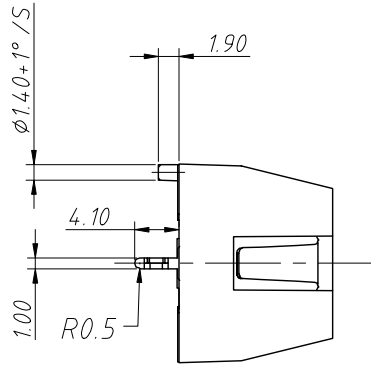
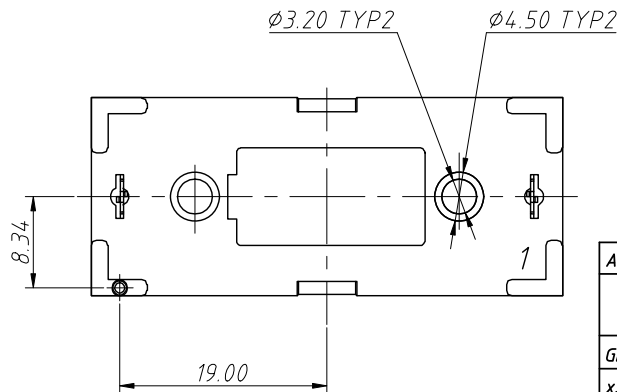
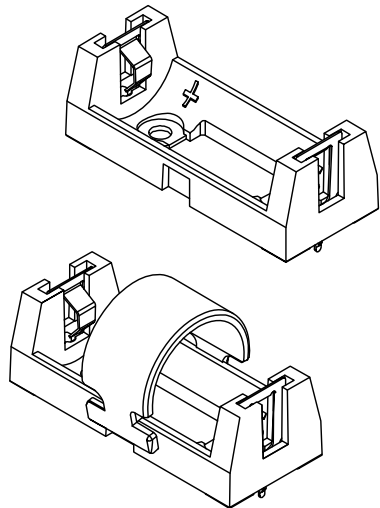
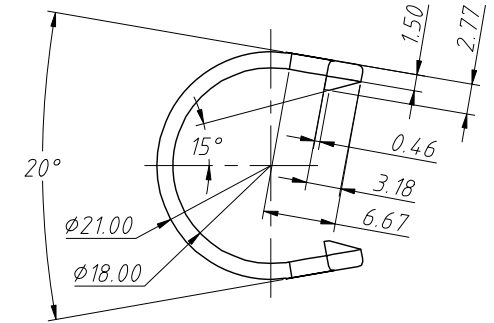
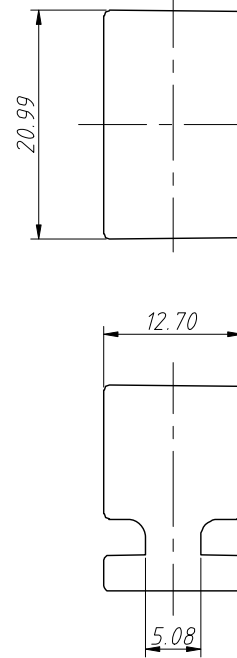
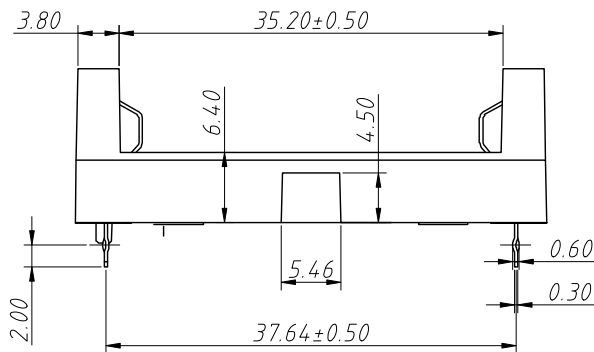
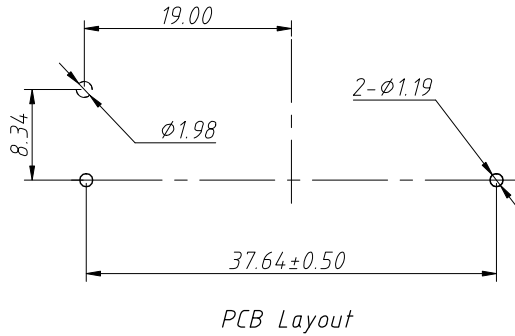


1 RoHS Compliance

REV	SYM	Revision Record	Appr.	Date
V0	KLS05036	New Version Release	Yu	2024-08-12



Note:
 Base Material: ABS Resin, Black
 Flammability Rating: UL 94HB or Custom Made
 PC Pins: 304 Stainless Steel Spring Temper, Nickel Plated
 Rating: 3.6V DC



ANGLE TOLERANCE	PROJECTION	Description:	Battery Holder	
±3°			L-KLS5-829D-D	
GENERAL TOLERANCE	UNITS	mm	KLS P/N:	L-KLS5-829D-D
x.x ±0.30	SHEET SIZE	A4		
x.xx ±0.20	Draw:	Jenny	2024-08-12	
x.xxx ±0.10	Check:	Daniel	2024-08-12	

NingBo KLS ELECTRONIC CO.,LTD.