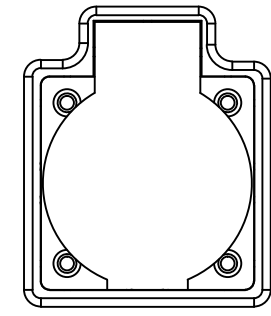
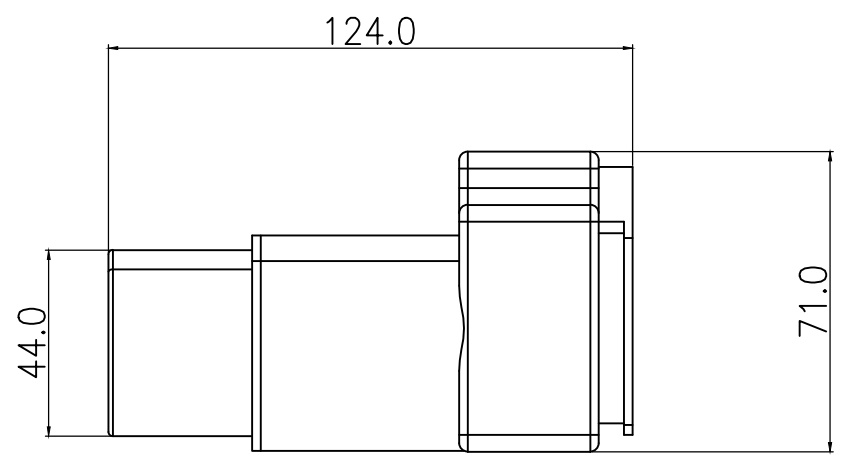
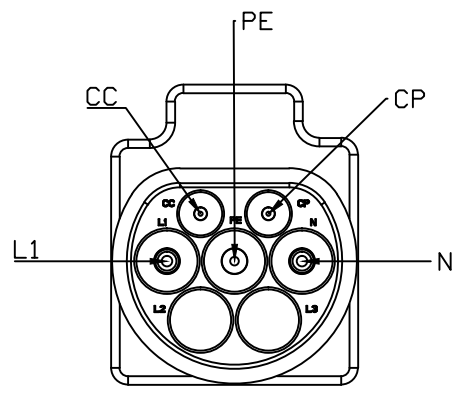
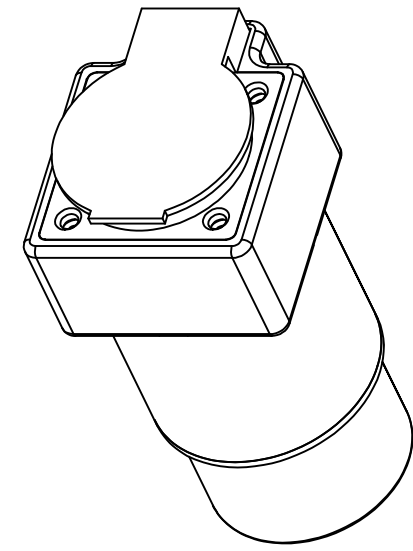


REVISION RECORD				
REV	ECN	DESCRIPTION	DRFT	DATE



Brazil /Israel/schuko/universal socket Available for selection



Technical Parameter	
Rated voltage	250V AC
Rated current	16A
Temperature range	-30℃ ~ +50℃
Insulation resistance	>500MΩ,500V DC
Voltage withstand	L、N and PE 2500V AC
	L and N 2500V AC
Waterproof grade	IP54
Terminal temperature rise	<50K
Insertion/Extraction Force	<100N
Reference standards	GBT20234.2-2015

DETACHED LISTS	PART NO. :/			
	APPD:	NAME: GBT V2L Adapter		
	CHKD:			
	DRFT: 2024-6-6	SHENZHEN MIDA EV POWER CO., LTD	REV	1
			SHEET	1/1
	THIRD ANGLE PROJECTION	MM (INCH)	DO NOT SCALE DRAWING	SCALE