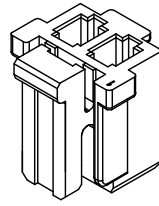
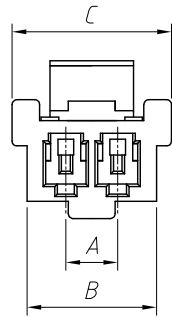
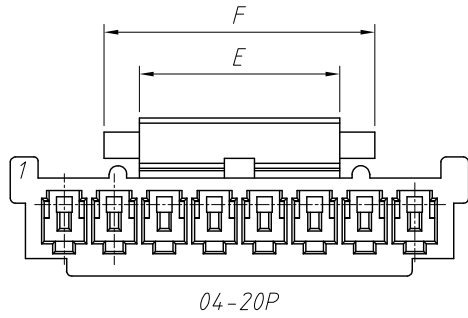
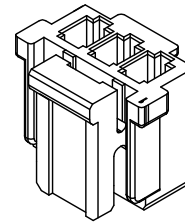


1 RoHS Compliance

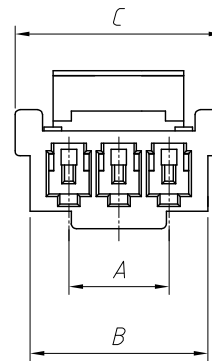
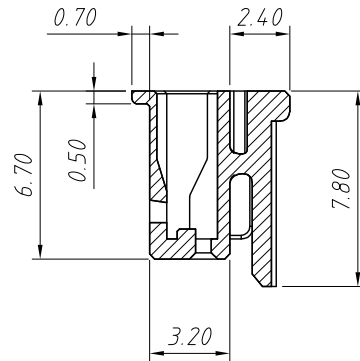
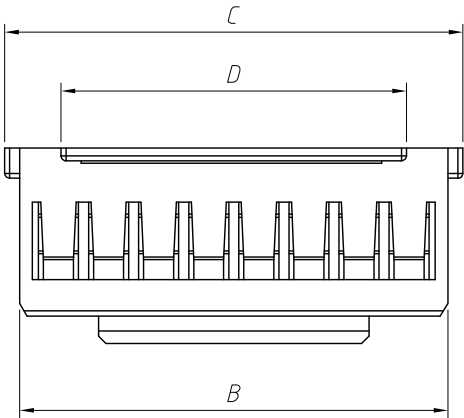


02P



03P

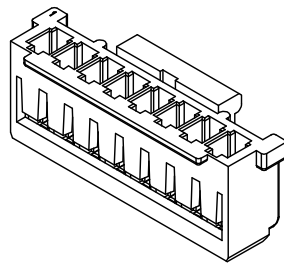
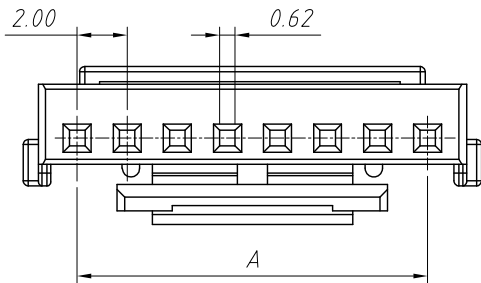
Pin	Dimensions(mm)					
	A	B	C	D	E	F
02	2.00	5.10	7.17	---	---	---
03	4.00	7.10	9.17	---	---	---
04	6.00	9.10	10.30	4.50	7.80	7.80
05	8.00	11.10	12.30	4.50	7.80	7.80
06	10.00	13.10	14.30	4.50	7.80	7.80
07	12.00	15.10	16.30	4.50	7.80	7.80
08	14.00	17.10	18.30	4.50	7.80	7.80
09	16.00	19.10	20.30	4.50	7.80	7.80
10	18.00	21.10	22.30	11.00	14.30	14.30
11	20.00	23.10	24.30	11.00	14.30	14.30
12	22.00	25.10	26.30	11.00	14.30	14.30
13	24.00	27.10	28.30	11.00	14.30	14.30
14	26.00	29.10	30.30	11.00	14.30	14.30
15	28.00	31.10	32.30	11.00	14.30	14.30
16	30.00	33.10	34.30	11.00	14.30	14.30
17	32.00	35.10	36.30	11.00	14.30	14.30
18	34.00	37.10	38.30	11.00	14.30	14.30
19	36.00	39.10	40.30	11.00	14.30	14.30
20	38.00	41.10	42.30	11.00	14.30	14.30



Material:
Housing:PA66,UL 94 V-0

Electrical Characteristics:
Rated Current:2.0AMP
Voltage rating:125V AC,DC
Temperature range:-40°C ~ +105°C
Insulator Resistance:1000MΩ Min
Withstand Voltage:800V AC/DC
Contact Resistance:20mΩ Max

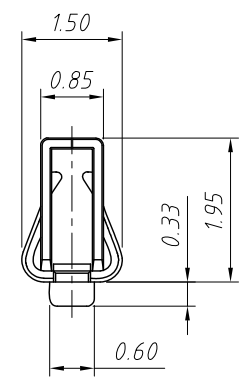
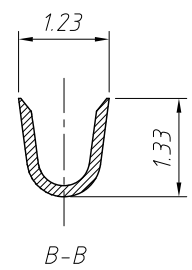
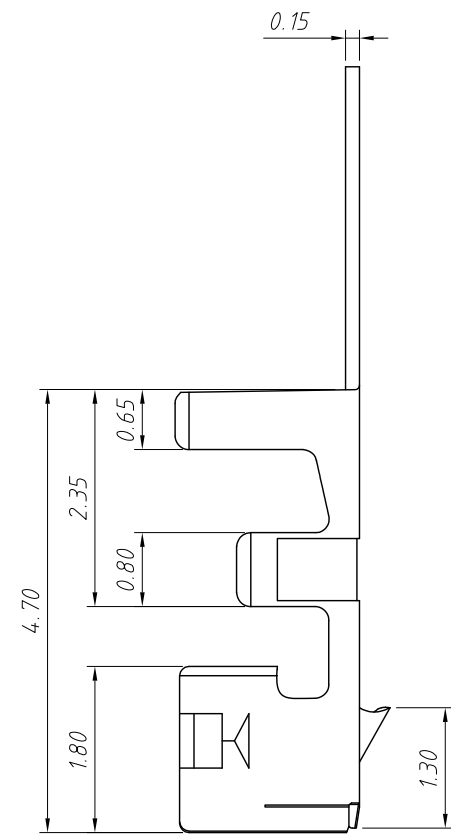
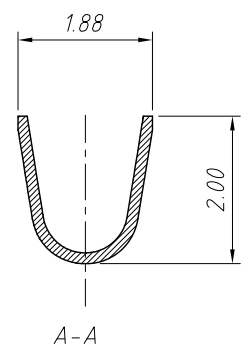
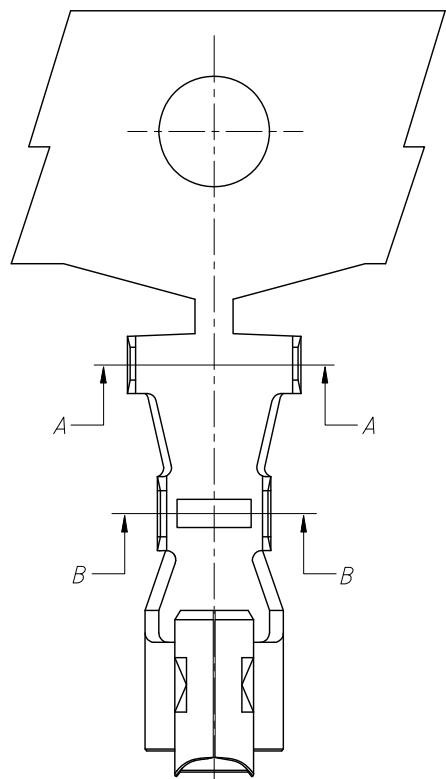
Order Information:
L-KLS1-XA3-2.00-XX-H
L: RoHS
Pitch:2.00mm
XX-No.of 02 ~ 20 pins
Type: T-Terminal H-Hosing
S-Straight male pin
R-Right angle male pin



04-20P

ANGLE TOLERANCE	PROJECTION	Description:	2.00mm Pitch 35507 35362 35363
±3°			Wire to Board Connector
GENERAL TOLERANCE	UNITS	mm	KLS P/N: L-KLS1-XA3-2.00-XX-H
x.x ±0.30	SHEET SIZE	A4	NingBo KLS ELECTRONIC CO.,LTD.
x.xx ±0.20	Draw:	Daniel	
x.xxx ±0.10	Check:	Daniel	

1
RoHS Compliance



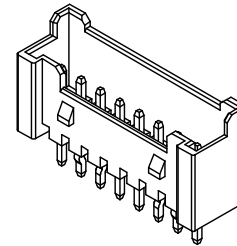
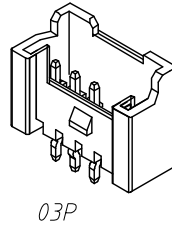
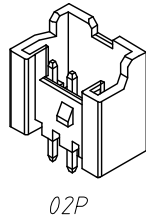
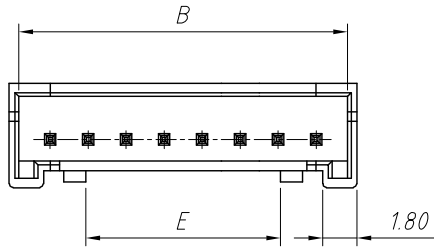
Material:
 Terminal: Phosphor Bronze
 Plating: Tin plated
 Applicable wires: AWG #24 ~ #30
 Insulation O.D.: 1.50mm Max
 Qty/reel: 10000 pcs

Electrical Characteristics:
 Rated Current: 2.0AMP
 Voltage rating: 125V AC/DC
 Temperature range: -40°C ~ +105°C
 Insulator Resistance: 1000MΩ Min
 Withstand Voltage: 800V AC/DC
 Contact Resistance: 20mΩ Max

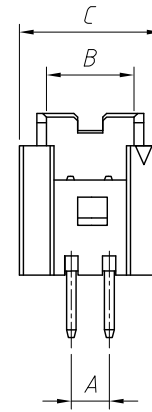
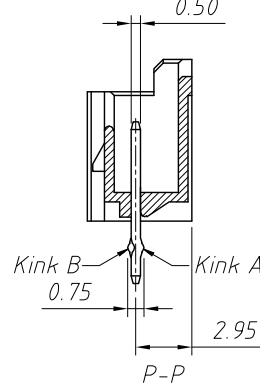
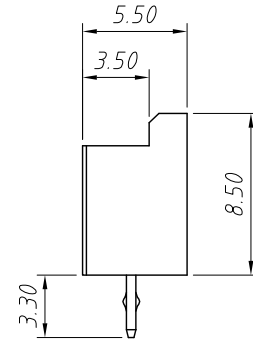
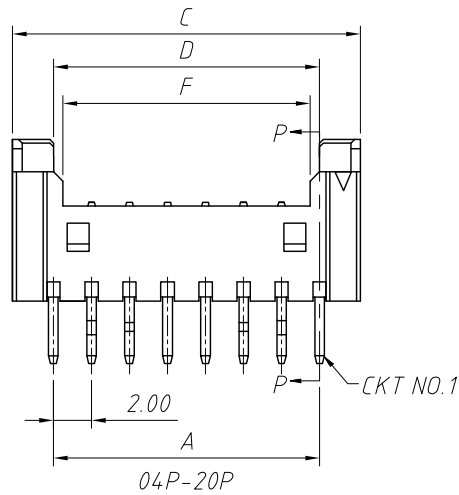
Order Information:
 L-KLS1-XA3-2.00-T
 L: RoHS
 Pitch: 2.00mm
 Type:
 T-Terminal H-Hosing
 S-Straight male pin
 R-Right angle male pin

ANGLE TOLERANCE	PROJECTION	Description:	2.00mm Pitch 35507 35362 35363
±3°		Wire to Board Connector	
GENERAL TOLERANCE	UNITS	mm	KLS P/N: L-KLS1-XA3-2.00-T
x.x ±0.30	SHEET SIZE	A4	NingBo KLS ELECTRONIC CO.,L TD.
x.xx ±0.20	Draw:	Daniel 2021-01-11	
x.xxx ±0.10	Check:	Daniel 2021-01-11	

1 RoHS Compliance



Pin	Dimensions(mm)					
	A	B	C	D	E	F
02	2.00	5.30	7.70	---	---	---
03	4.00	7.30	9.70	---	---	---
04	6.00	9.30	10.30	6.00	4.25	6.70
05	8.00	11.30	12.30	8.00	4.25	7.00
06	10.00	13.30	14.30	10.00	4.25	7.00
07	12.00	15.30	16.30	12.00	4.25	7.00
08	14.00	17.30	18.30	14.00	8.25	11.00
09	16.00	19.30	20.30	16.00	8.25	11.00
10	18.00	21.30	22.30	18.00	8.25	11.00
11	20.00	23.30	24.30	20.00	8.25	11.00
12	22.00	25.30	26.30	22.00	8.25	11.00
13	24.00	27.30	28.30	24.00	8.25	11.00
14	26.00	29.30	30.30	26.00	8.25	11.00
15	28.00	31.30	32.30	28.00	8.25	11.00
16	30.00	33.30	34.30	30.00	8.25	11.00
17	32.00	35.30	36.30	32.00	8.25	11.00
18	34.00	37.30	38.30	34.00	8.25	11.00
19	36.00	39.30	40.30	36.00	8.25	11.00
20	38.00	41.30	42.30	38.00	8.25	11.00

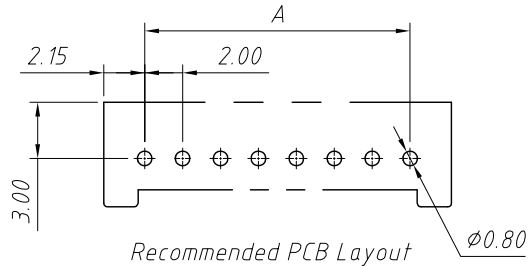
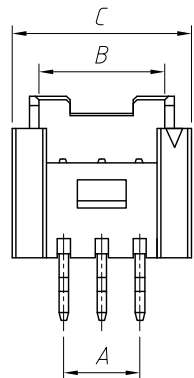


Material:
Housing:PA66,UL94V-0
Contact:Brass
Plating: Tin Plated

Electrical Characteristics:
Rated Current:2.0AMP
Voltage rating:125V AC,DC
Temperature range:-40°C ~ + 105°C
Insulator Resistance:1000M Ω Min
Withstand Voltage:800V AC/DC
Contact Resistance:20m Ω Max

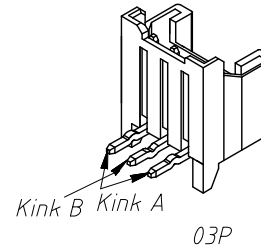
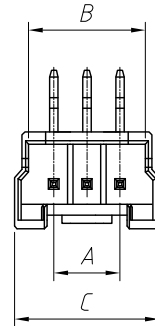
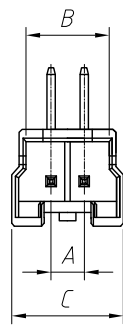
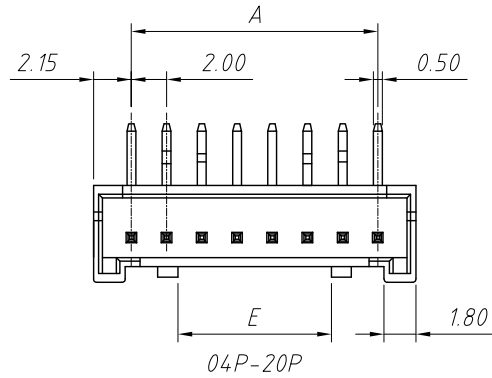
Order Information:
L-KLS1-XA3-2.00-XX-S

L: RoHS
Pitch:2.00mm
XX-No. of 02~20 pins
Type: T-Terminal H-Hosing
S-Straight male pin
R-Right angle male pin

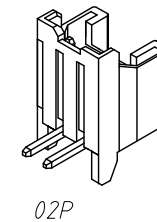
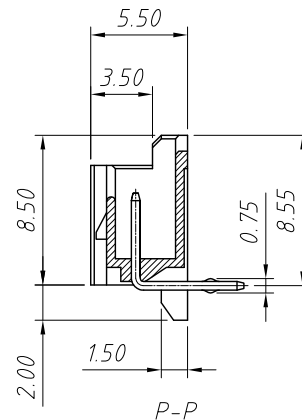
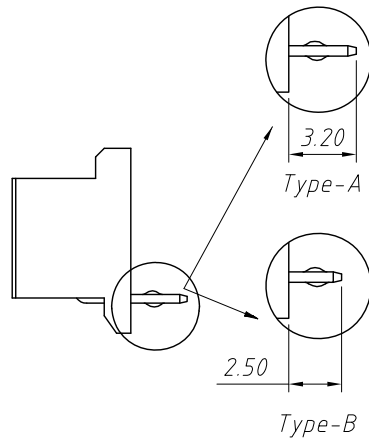
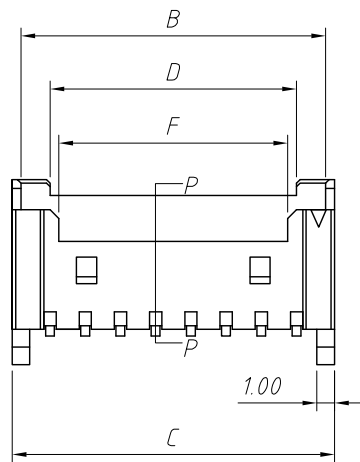


ANGLE TOLERANCE	PROJECTION	Description:	2.00mm Pitch 35507 35362 35363
$\pm 3^\circ$			Wire to Board Connector
GENERAL TOLERANCE	UNITS	mm	KLS P/N: L-KLS1-XA3-2.00-XX-S
x.x ± 0.30	SHEET SIZE	A4	NingBo KLS ELECTRONIC CO.,L TD.
x.xx ± 0.20	Draw:	Daniel	
x.xxx ± 0.10	Check:	Daniel	

RoHS Compliance



Pin	Dimensions(mm)				
	A	B	C	D	E
02	2.00	5.30	6.00	2.00	---
03	4.00	7.30	8.00	3.30	---
04	6.00	9.30	10.00	4.50	---
05	8.00	11.30	12.00	4.50	7.80
06	10.00	13.30	14.00	4.50	7.80
07	12.00	15.30	16.00	4.50	7.80
08	14.00	17.30	18.00	4.50	7.80
09	16.00	19.30	20.00	4.50	7.80
10	18.00	21.30	22.00	11.00	14.30
11	20.00	23.30	24.00	11.00	14.30
12	22.00	25.30	26.00	11.00	14.30
13	24.00	27.30	28.00	11.00	14.30
14	26.00	29.30	30.00	11.00	14.30
15	28.00	31.30	32.00	11.00	14.30
16	30.00	33.30	34.00	11.00	14.30
17	32.00	35.30	36.00	11.00	14.30
18	34.00	37.30	38.00	11.00	14.30
19	36.00	39.30	40.00	11.00	14.30
20	38.00	41.30	42.00	11.00	14.30

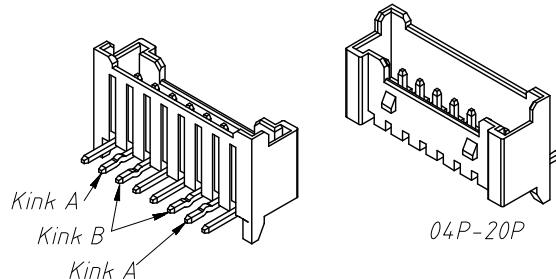
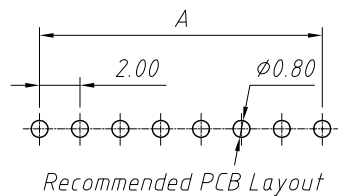


Material:
Housing: PA66, UL 94 V-0
Contact: Brass
Plating: Tin Plated

Electrical Characteristics:
Rated Current: 2.0AMP
Voltage rating: 125V AC, DC
Temperature range: -40°C ~ +105°C
Insulator Resistance: 1000MΩ Min
Withstand Voltage: 800V AC/DC
Contact Resistance: 20mΩ Max

Order Information:
L-KLS1-XA3-2.00-XX-R

L: RoHS
Pitch: 2.00mm
XX-No. of 02 ~ 20 pins
Type:
T-Terminal H-Hosing
S-Straight male pin
R-Right angle male pin



ANGLE TOLERANCE	PROJECTION	Description:	2.00mm Pitch 35507 35362 35363
±3°			Wire to Board Connector
GENERAL TOLERANCE	UNITS	mm	KLS P/N: L-KLS1-XA3-2.00-XX-R
x.x ±0.30	SHEET SIZE	A4	
x.xx ±0.20	Draw:	Daniel 2021-01-11	
x.xxx ±0.10	Check:	Daniel 2021-01-11	

NingBo KLS ELECTRONIC CO.,L TD.