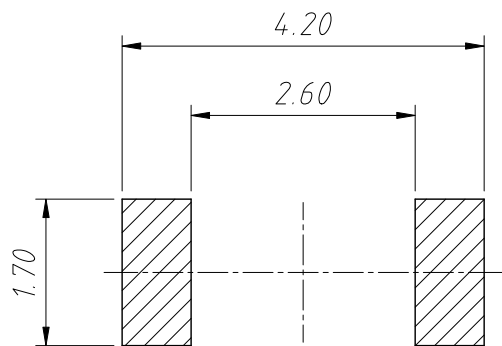
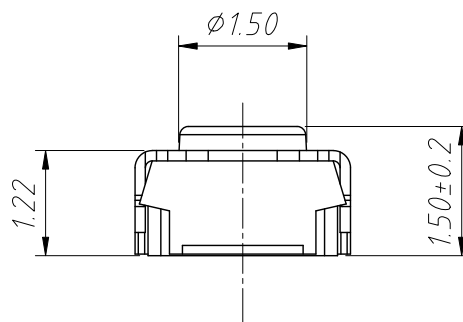
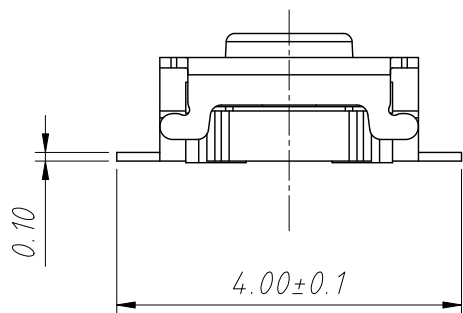
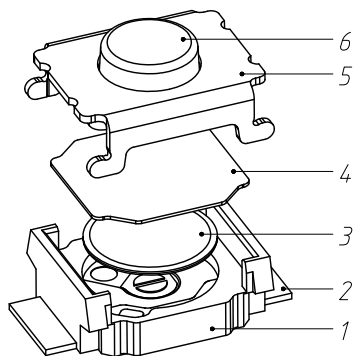


Electronic schematic



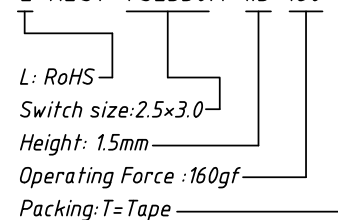
PCB LAND DIMENSION



- Material:**
- 1.Base:LCP
  - 2.Terminal:Phosphor Bronze,Ag plating
  - 3.Contact:SUS,Ag plating
  - 4.Tape:PI
  - 5.Cover:SUS
  - 6.Stem:LCP

- Electrical:**
- 1.Rating:DC 12V 50mA Max
  - 2.Contact Resistance:100mΩ Max.
  - 3.Insulation Resistance:100MΩ Min
  - 4.Dielectric Strength:250VAC/min
  - 5.Operating Force:160gf±50gf
  - 6.Operating life:200000 cycles

**Order Information:**  
L-KLS7-TS2530A-1.5-160-T



GENERAL TOLERANCE	PROJECTION		Description:
X. ±0.50	UNITS	mm	Tactile Switch,Without Post
.X ±0.25	SCALE	1:1	
.XX ±0.10	Draw by:	Jenny	KLS P/N: L-KLS7-TS2530A-1.5-160-T
ANGLE TOLERANCE	Check by:		NingBo KLS ELECTRONIC CO.,L TD.
X. ±5°	Date	2022-08-05	
.X ±3°	SHEET	1 OF 1	
.XX ±2°			