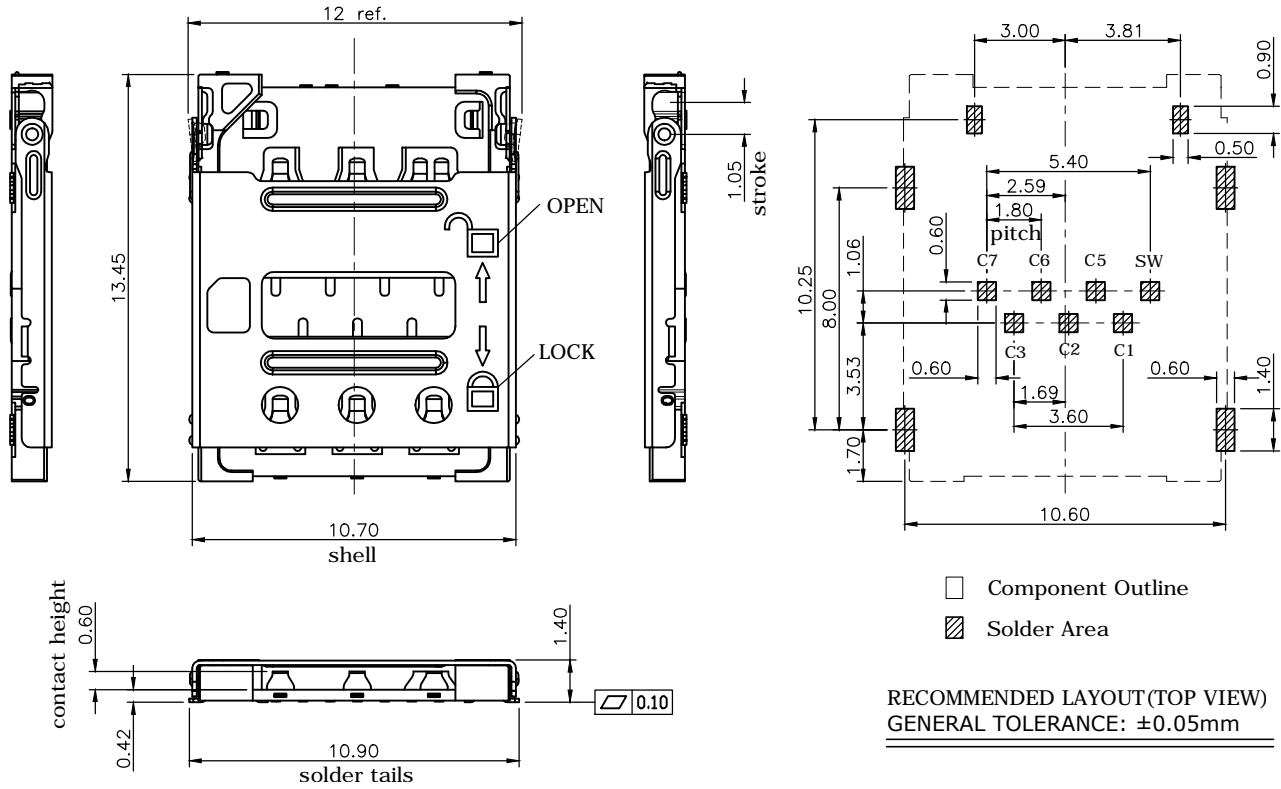


REV.	DESCRIPTION	DRAWN	DATE
1	INITIAL RELEASE	TIM	2020/02/11
2	Corrected spec.	Fros	2020/03/30
3	ECR240219001	Fros	2024/02/19

SPECIFICATION:

1. ELECTRICAL
 - 1.1 Current Rating: 0.5A per pin
 - 1.2 Voltage Rating: 10V
 - 1.3 Contact Resistance: 100mΩ Max
 - 1.4 Insulation Resistance: 1000MΩ Min
 - 1.5 Dielectric Withstanding Voltage: 500VAC
2. MECHANICAL
 - 2.1 Terminal Durability: 5,000 cycles
 - 2.2 Contact Normal Force: 0.3N min. per pin
 - 2.3 Open & Lock Durability: 100 cycles
3. ENVIRONMENTAL
 - 3.1 Operating temperature range: -40°C~+85°C
 - 3.2 Storage temperature range: -40°C~+85°C



RECOMMENDED LAYOUT (TOP VIEW)
 GENERAL TOLERANCE: ±0.05mm

CARD DETECTION SWITCH			
WITHOUT CARD		WITH CARD	
OPEN		CLOSE	
SW	C5	SW	C5

SIM CARD PIN OUT			
PIN NO.	DESCRIPTION	PIN NO.	DESCRIPTION
C1	VCC	C5	GND
C2	RST	C6	VPP
C3	CLK	C7	I/O
C4	N/A	C8	N/A

3	Shell	Stainless steel
2	Contact	Phosphor Bronze, Gold plating over Nickel
1	Insulator	LCP, UL94V-0, Black
NO	PART NAME	DESCRIPTION

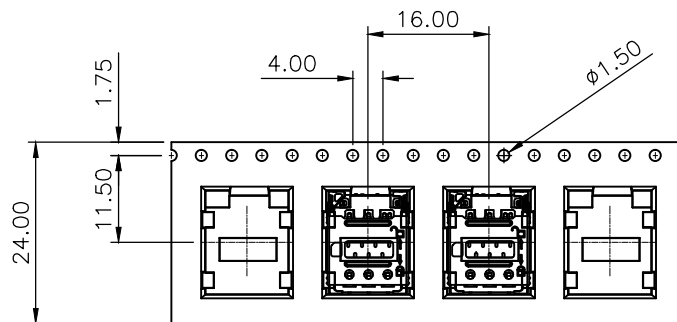
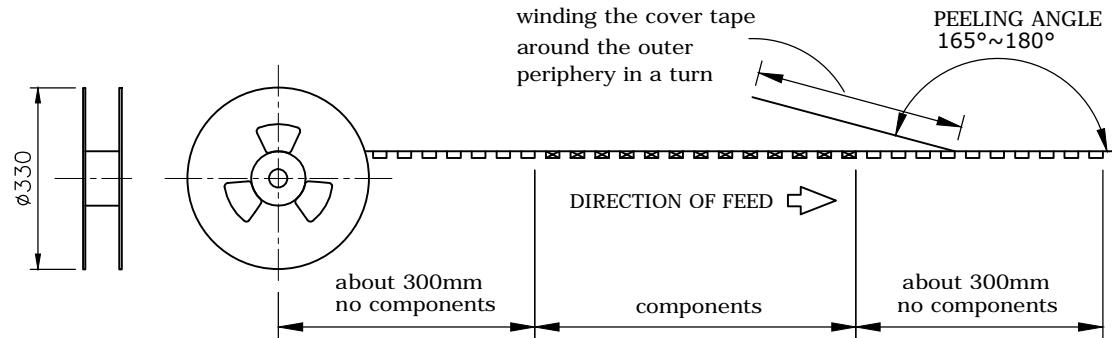
UNLESS OTHERWISE SPECIFIED TOLERANCE			
UNIT:	DECIMAL	LINEAR	ANGLES
mm	X.	±0.50	±5°
	X.X	±0.25	±3°
	X.XX	±0.12	±1°



www.attend.com.tw

DRAWN	Tim	2020/02/11	DRAWN NAME:	Nano SIM Socket	
CHECKED	Fros	2020/02/11		Hinge 6+1 Pin G/F Reel	
APPROVED	Ken	2020/02/11	PRODUCT NO.	115V-AA01	
SCALE	4/1	SHEET	1/2	SIZE	A4
			FILE NAME	115V-AA01_B_3	

REV.	DESCRIPTION	DRAWN	DATE
------	-------------	-------	------



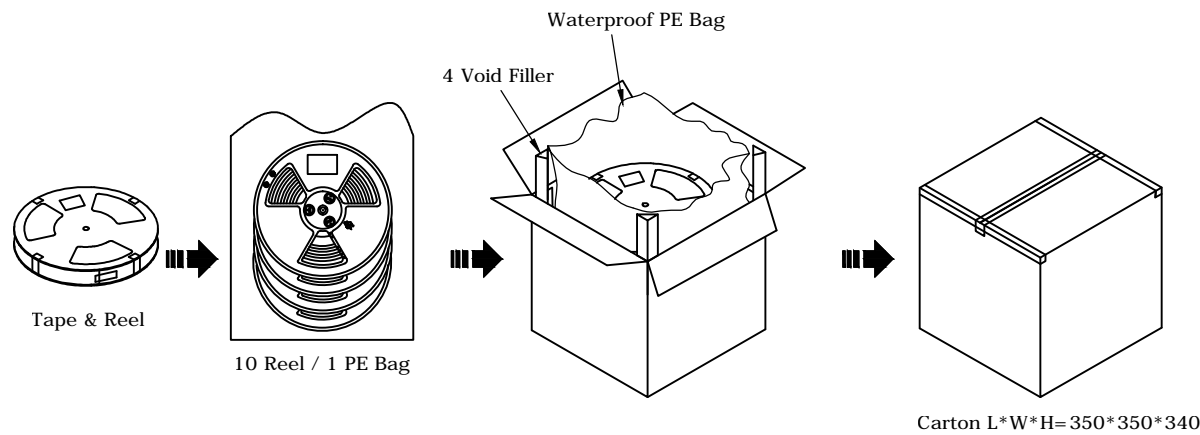
PACKAGING SPECIFICATION:

1. MATERIAL

- 1.1 Embossed Carrier Tape: PS Black
- 1.2 Top Cover Tape: PET
20-80g(Peel Speed 300mm/Minute)
- 1.3 Taping Reel: Plastic

2. PACKING

- 2.1 Quantity:
2000 Piece/Reel
20000 Piece/Outer Carton



UNLESS OTHERWISE SPECIFIED TOLERANCE

UNIT:	DECIMAL	LINEAR	ANGLES
mm	X.	± 0.50	$\pm 5^\circ$
	X.X	± 0.25	$\pm 3^\circ$
	X.XX	± 0.12	$\pm 1^\circ$



www.attend.com.tw

DRAWN	Tim	2020/02/11	DRAWN NAME: Nano SIM Socket Hinge 6+1 Pin G/F Reel
CHECKED	Fros	2020/02/11	
APPROVED	Ken	2020/02/11	
SCALE	N/A	SHEET 2/2	SIZE A4

PRODUCT NO. 115V-AA01

FILE NAME 115V-AA01_B_3