

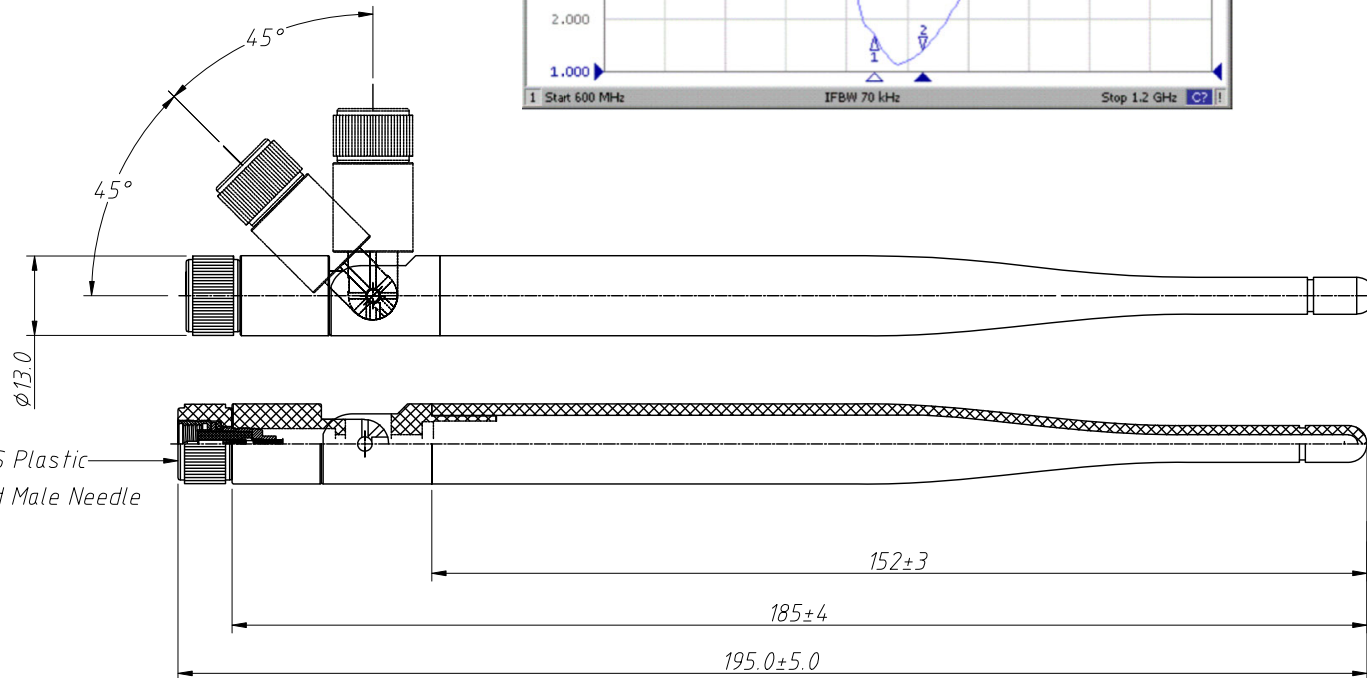
1 RoHS Compliance

6	7	8
REV	SYM	Revision Record
V0	KLS17048	New Version Release
Appr.	Song	Date
		2024-06-11



Notes:
 Frequency Range:868-928MHZ
 Band Width:60MHZ
 Vswr:≤2.0
 Gain:1 DBi
 Impedance:50 OHM
 Polarization:Vertical
 Radiation:Omni Directional
 Power:10W Max
 Connector:SMA J
 Dimensions:195mm ×13mm
 Shell material:ABS
 Temperature:-40°C ~ +85°C

The Assembly Of Each Component Should Be Firm And Reliable
 The Signal Parameters Of The Finished Product Must Reach
 The Specified Value
 The Product Needs To Be Packaged In Quantity According To
 The Requirements, And There Should Be No Obvious Signs
 During Transportation Phenomena Such As Compression
 Deformation



ANGLE TOLERANCE	PROJECTION	Description:	433/868 Antenna	
±3°				
GENERAL TOLERANCE	UNITS	mm	KLS P/N:	L-KLS1-868/928-010195
.x ±0.30	SHEET SIZE	A4		
.xx ±0.20	Draw:	Song	2024-06-11	NingBo KLS ELECTRONIC CO.,L TD.
.xxx ±0.10	Check:	Daniel	2024-06-11	