

SUZHOU PF MOTOR & FAN TECHNOLOGY CO., LTD

SPECIFICATION FOR APPROVAL

CUSTOMER: Ozdisan

DESCRIPTION: AC AXIAL FAN

DIMENSIONS: 172 × 150 × 51mm

MODEL NO.: PF17251A2HBL



DRAW BY: Chris

CHECK BY: James

APPROVED BY:

http://www.pfmotorfan.com Email: sales@pfmotorfan.com	SPEC NO.	PF17251A2HBL	REVISE DATE	18 Nov.2004
	PAGE	1 OF 5	ISSUE DATE	08 Aug.2001

SUZHOU PF MOTOR & FAN TECHNOLOGY CO., LTD

SPECIFICATIONS

1.	Rated Voltage	220-240VAC
2.	Voltage Range	160-250VAC
3.	freq	50/60 Hz
4.	Starting Voltage	160VAC
5.	Rated Speed	2700/3000 RPM
6.	Air Flow	182/203 CFM
7.	Static Pressure	12/9 mmH ₂ O
8.	Rated Current	0.27/0.24Amp
9.	Input Power	36/34Watts
10.	Noise Level	52/55dB(A)
11.	Direction of Rotation	Counter-Clockwise
12.	Motor Protection	Impedance Protected
13.	Operation Temperature	-20°C - 80°C
14.	Operation Humidity	20%-80%
15.	Bearing System	Ball Bearing
16.	Life at 25°C	50,000hours
17.	Weight	950 g
18.	Approvals	CE RoHS

http://www.pfmotorfan.com Email: sales@pfmotorfan.com	SPEC NO.	PF17251A2HBL	REVISE DATE	18 Nov.2004
	PAGE	2 OF 5	ISSUE DATE	08 Aug.2001

SUZHOU PF MOTOR & FAN TECHNOLOGY CO., LTD

DESCRIPTION

1.	Motor Design	Reliable Brushless Motor Construction
2.	Insulation resistance	10 Mega-ohms minimum at 500 VDC
3.	Dielectric Strength	2000VAC/min, current<5mA
4.	Motor Protection	Impedance protected
5.	Noise Level	Measured in a semi-anechoic chamber With background noise level below 15 dBA. The fan is running in free air with Microphone at a distance of one meter
6.	Air Performance	Measured by a double chamber. The value is recorded when the fan speed is stabilized at rated voltage
7.	Tolerances	±15% on rated power and current

http://www.pfmotorfan.com Email: sales@pfmotorfan.com	SPEC NO.	PF17251A2HBL	REVISE DATE	18 Nov.2004
	PAGE	3 OF 5	ISSUE DATE	08 Aug.2001

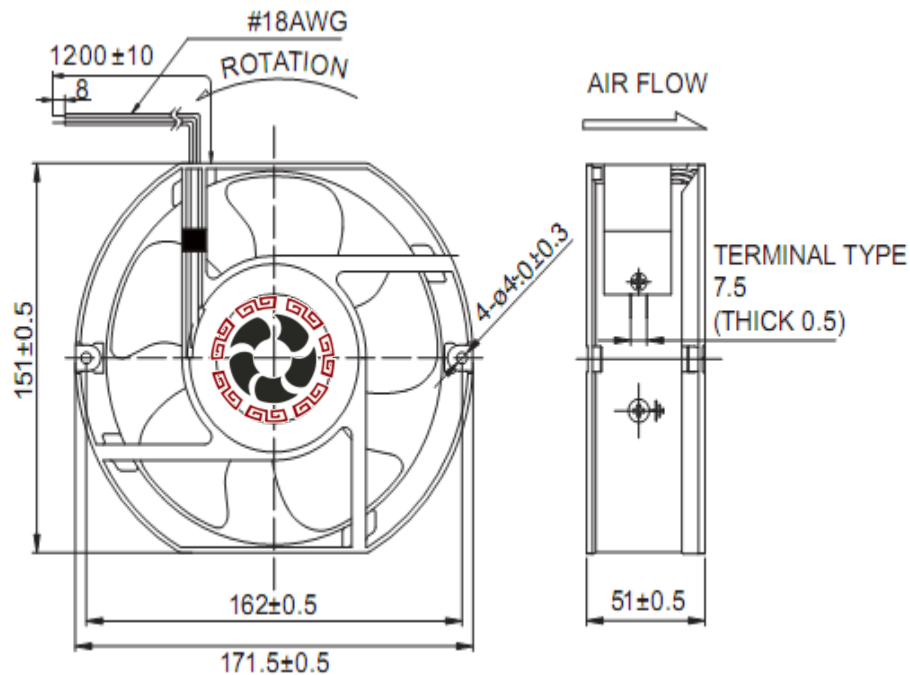
SUZHOU PF MOTOR & FAN TECHNOLOGY CO., LTD

MATERIAL

Materials

1.	Frame	Die-Cast Aluminum Painted
2.	Blade	Thermoplastic PBT

DIMENSIONS



http://www.pfmotorfan.com Email: sales@pfmotorfan.com	SPEC NO.	PF17251A2HBL	REVISE DATE	18 Nov.2004
	PAGE	4 OF 5	ISSUE DATE	08 Aug.2001

SUZHOU PF MOTOR & FAN TECHNOLOGY CO., LTD

NOTES

1. PF MOTOR & FAN will not guarantee the products if the application of our products is exceeded the limitation, which is specified on this specification.
2. In case of change of the specification specified on this document, a written notice is requested in advance.
3. Please do not touch the impeller with pressure and never bring the fan with lead wire. The bearings and lead wire may be damaged.
4. No guarantee on the products against the safety problem or failure caused by powder dust, drop of water or insect
5. If there is any data or related documentation different from this data sheet, this data sheet is the principal reference.
6. For the purpose of MIS, please indicate SPEC No. on every order.
7. In case of the fan has no polarity protection function, wires with same color (i.e. red + red, black +black)

http://www.pfmotorfan.com Email: sales@pfmotorfan.com	SPEC NO.	PF17251A2HBL	REVISE DATE	18 Nov.2004
	PAGE	5 OF 5	ISSUE DATE	08 Aug.2001