

### General Description

15mm x 11mm Smart Phone Speaker



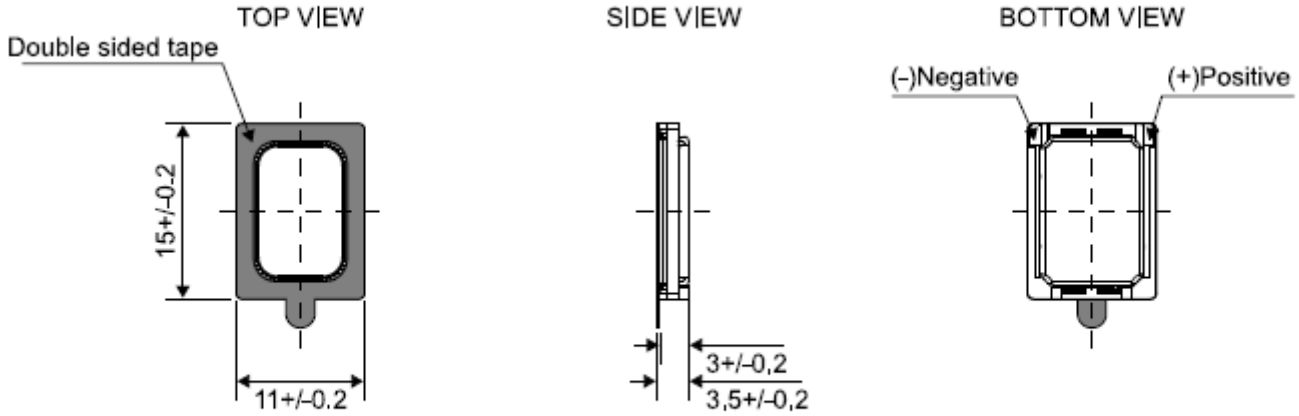
**IP67**



### ELECTRICAL SPECIFICATIONS

Parameters		Value	Unit	
Resonant Frequency (Fo)	In free air	550±20%	Hz	
	In 1cc box	850±20%	Hz	
Frequency Response		Fo ~ 20	kHz	
Rated Input Power, max	@ 1cc box	0.10	W	
Input Power, max	@ 1cc box	0.15	W	
Dimension		15 x 11 ±0.2	mm	
Height		3.0 ±0.2	mm	
Output S.P.L.	@ Testing in 1cc box at 0.7W / 0.1m/ 0.8 kHz / 1.0 kHz , 1.2 kHz, 1.5 kHz	92±3	dB	
Impedance		8 ±15%	Ω	
Operating Temperature Range		-20 ~ +70	°C	
Storage Temperature Range		-20 ~ +70	°C	
Case Material		Plastic	-	
Magnet		Internal Magnet - NdFeB	-	
Reliability	Buzz & Rattle	Must be normal at sine, [in air free, F0 ~ 20Hz ]	0.89	V
		Must be normal at sine, [in 1cc box, F0 ~ 20kHz ]	2.36	V
	Load Test	Must be normal, white noise, 96hours ]	0.7	W
	Heat Test	Must be normal, 96hours	+70±3	°C
	Cold Test	Must be normal, 96hours	-20±3	°C
Relative Humidity	@+40±3 °C, 96hours	92 ~ 95	%	
IP Rating		IP67	-	

### Dimensions



All dimensions are in mm  
Unspecified Tolerance are  $\pm 0.5$ mm

### APPROVAL

DRAWN BY	AR, January 22, 2024
APPROVED BY	CP, January 22, 2024
REVISION	A, Initial Release



Raltron Electronics / RAMI Technology USA, LLC, including its affiliates, employees, agents and other persons acting on its behalf (collectively Raltron/RAMI Tech), disclaim any and all liability for any errors or inaccuracies contained in this data sheet. While Raltron/RAMI Tech has made every reasonable effort ensure the accuracy of all product information, specifications and data contained herein, Raltron/RAMI Tech does not guarantee that the information is accurate, reliable or current. The product information is provided only for reference purposes only and is subject to change, correction or revision, at any time without notice. Raltron/RAMI Tech does not assume any liability arising out of an application or use of any product described herein and disclaims any warranties expressed or implied. The user of products in such applications shall assume all risks of such use and will agree to hold Raltron/RAMI Tech, harmless against all damages. Copyright © 2016, Raltron Electronics / RAMI Technology USA, LLC. All rights reserved. No part of this document may be reproduced in any form without the prior written permission of Raltron Electronics / RAMI Technology USA, LLC.