

General Description

Ø3.0mm x 1.5mm, Omni-Directional Microphone



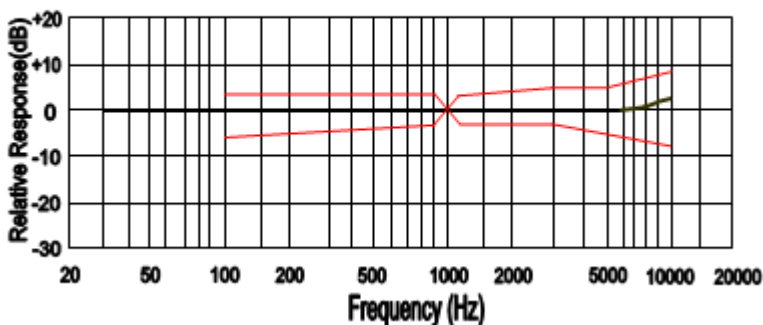
ELECTRICAL SPECIFICATIONS

Parameters		Value			Unit
		min	center	max	
Sensitivity	@ 0dB=1V/Pa, @ 1kHz	-45	-42	-39	dB
Current Consumption	@ V _{CC} =2.0V,RL=2.2kΩ			500	μA
Output Impedance	@ f=1kHz			5.5	kΩ
Decreasing Voltage	@ V _{CC} =3.0V ~ 2.0V			-3	dB
Signal to Noise Ratio	@ 1kHz S.P.L=1Pa (A-Weighted Curve)	55			dB
Operating Voltage		1.4		5	V
Input S.P.L, max				110	dB
Operating Temperature Range		-40		+85	°C
Storage Temperature Range		-40		+85	°C

FREQUENCY CHARACTERISTICS

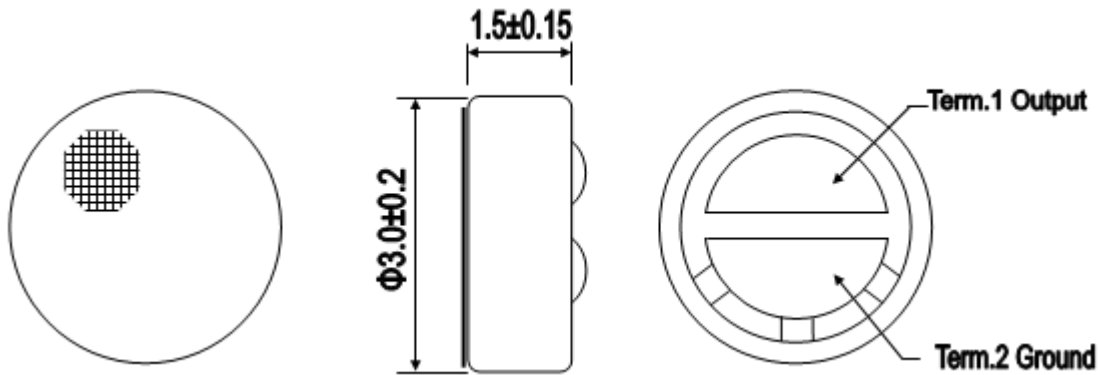
Microphone Response Tolerance Window

Frequency Response

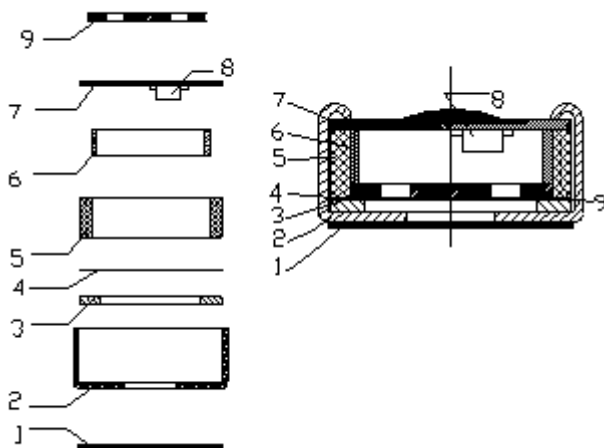


Frequency (Hz)	Lower Limit(dB)	Upper Limit(dB)
100	-6	+3
800	-3	+3
1000	0	0
1200	-3	+3
3000	-3	+5
5000	-5	+5
10000	-8	+8

DIMENSIONS AND MATERIAL/STRUCTURE

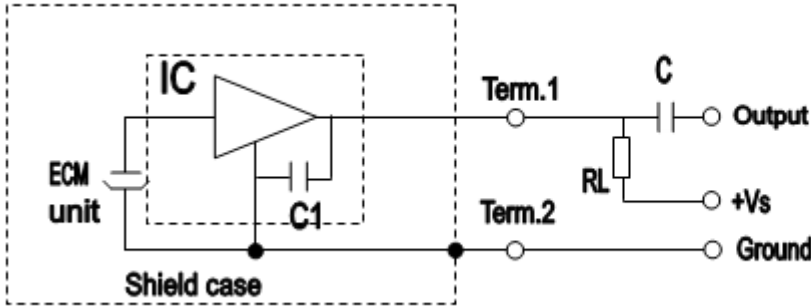


Unit: mm



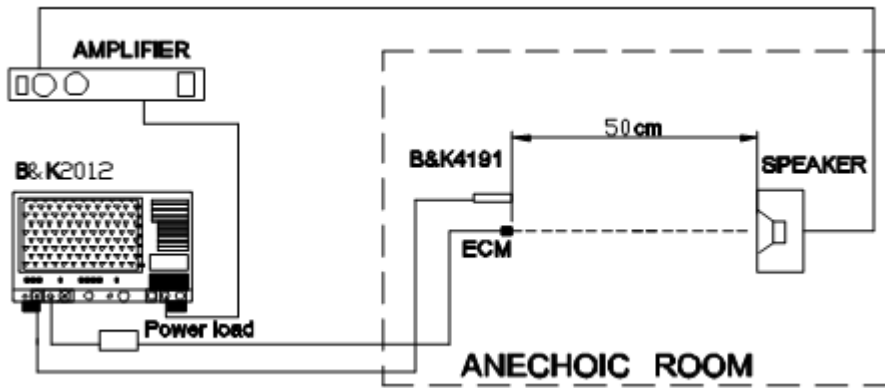
9	Electret back		
8	Ft		1
7	P.C.B		1
6	Copper Ring		
5	Housing Chamber		1
4	Spacer		1
3	Polarized Diaphragm		1
2	Case	copper	1
1	Felt		1
No.	Name	Material	QTY

MEASUREMENT CIRCUIT



$R_L = 2.2K\Omega$
$V_S = 2.0V$
$C_1 = 10PF$
$C = 1\mu F$

MEASUREMENT SETUP DRAWING



APPROVAL

DRAWN BY	AR, December 12, 2023
APPROVED BY	CP, December 12, 2023
REVISION	A, Initial Release



Raltron Electronics / RAMI Technology USA, LLC, including its affiliates, employees, agents and other persons acting on its behalf (collectively Raltron/RAMI Tech), disclaim any and all liability for any errors or inaccuracies contained in this data sheet. While Raltron/RAMI Tech has made every reasonable effort ensure the accuracy of all product information, specifications and data contained herein, Raltron/RAMI Tech does not guarantee that the information is accurate, reliable or current. The product information is provided only for reference purposes only and is subject to change, correction or revision, at any time without notice. Raltron/RAMI Tech does not assume any liability arising out of an application or use of any product described herein and disclaims any warranties expressed or implied. The user of products in such applications shall assume all risks of such use and will agree to hold Raltron/RAMI Tech, harmless against all damages. Copyright © 2016, Raltron Electronics / RAMI Technology USA, LLC. All rights reserved. No part of this document may be reproduced in any form without the prior written permission of Raltron Electronics / RAMI Technology USA, LLC.