

General Description

Ø4.0mm x 1.5mm, Omni-Directional Microphone

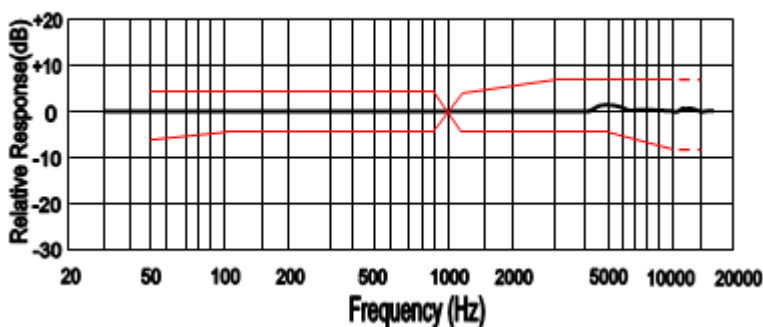


ELECTRICAL SPECIFICATIONS

Parameters		Value			Unit
		min	center	max	
Sensitivity	@ 0dB=1V/Pa, @ 1kHz	-45	-42	-39	dB
Current Consumption	@ Vcc =2.0V,RL=2.2kΩ			500	μA
Output Impedance	@ f=1kHz			2.2	kΩ
Decreasing Voltage	@ Vcc=3.0V ~ 2.0V			-3	dB
Signal to Noise Ratio	@ 1kHz S.P.L=1Pa (A-Weighted Curve)	58			dB
Operating Voltage		1.0		10	V
Input S.P.L, max	@ THD<2% (f=1kHz)			110	dB
	@ f=1kHz · Distortion≤2%			104	dB
Operating Temperature Range		-40		+85	°C
Storage Temperature Range		-40		+85	°C

FREQUENCY CHARACTERISTICS

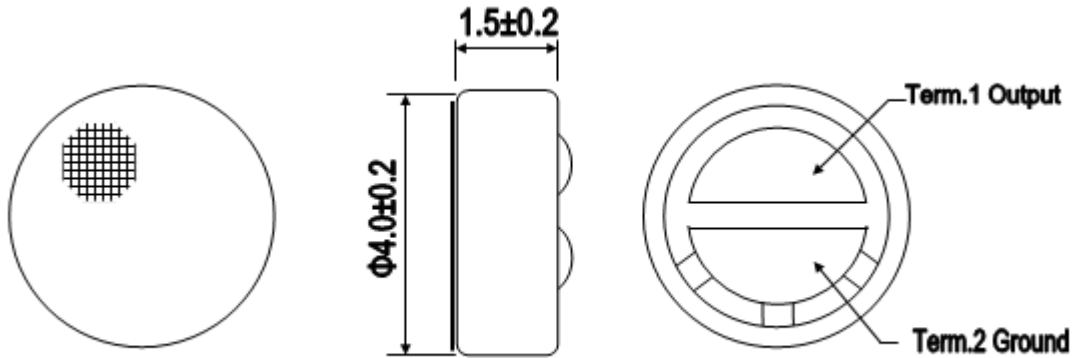
Frequency Response



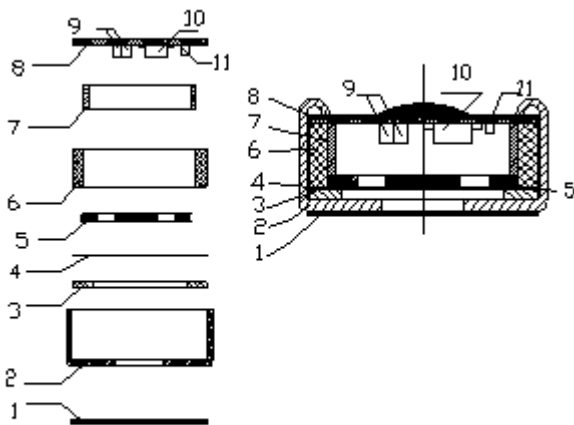
Microphone Response Tolerance Window

Frequency (Hz)	Lower Limit(dB)	Upper Limit (dB)
50	-6	+3
100	-3	+3
800	-3	+3
1000	0	0
1200	-3	+3
3000	-3	+8
5000	-3	+8
10000	-8	+8

DIMENSIONS AND MATERIAL/STRUCTURE

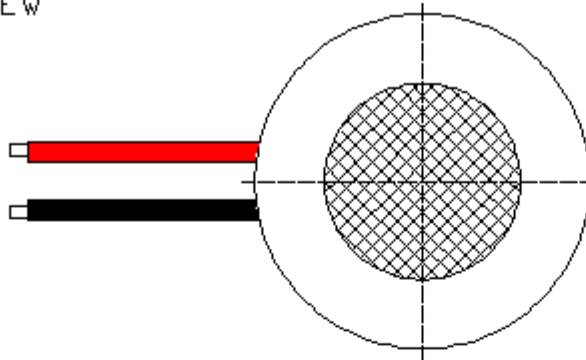


Unit: mm

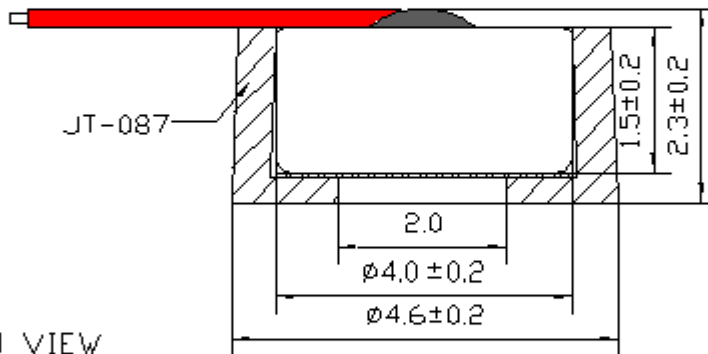


11	Resistance		1
10	Fet		1
9	Chip Capacitor		2
8	P.C.B	FR-4	1
7	Copper Ring		1
6	Chamber		1
5	Electret Back		1
4	Spacer		1
3	Polarized Diaphragm		1
2	Case	Al-Mg	1
1	Felt	Non-weave cloth	1
No.	Name	Material	QTY

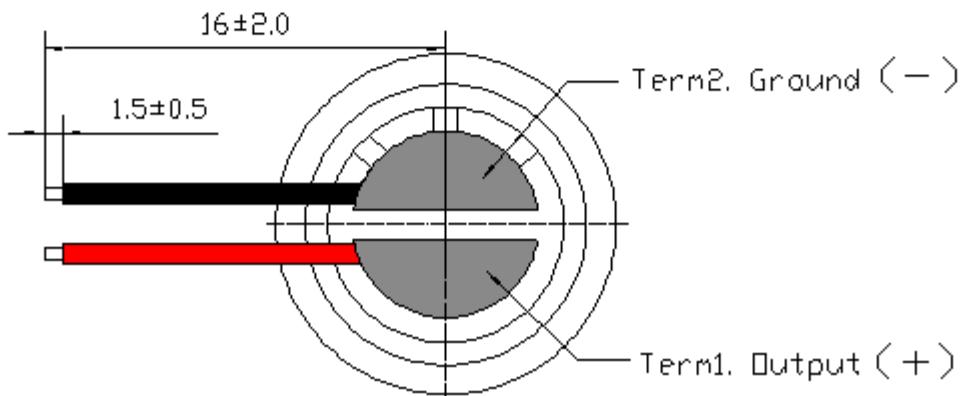
TOP VIEW



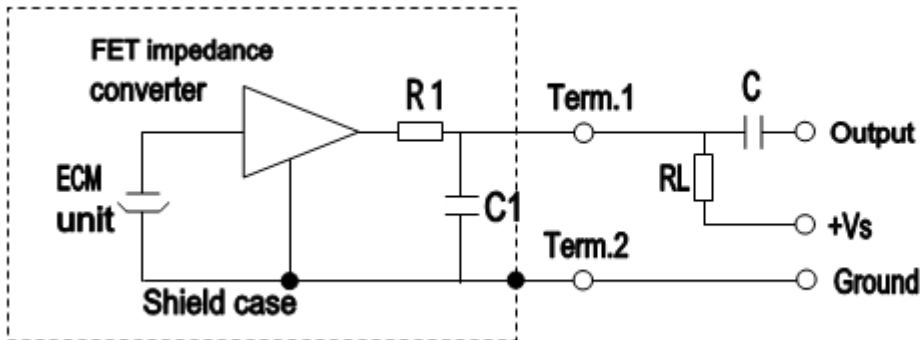
SIDE VIEW



BOTTOM VIEW

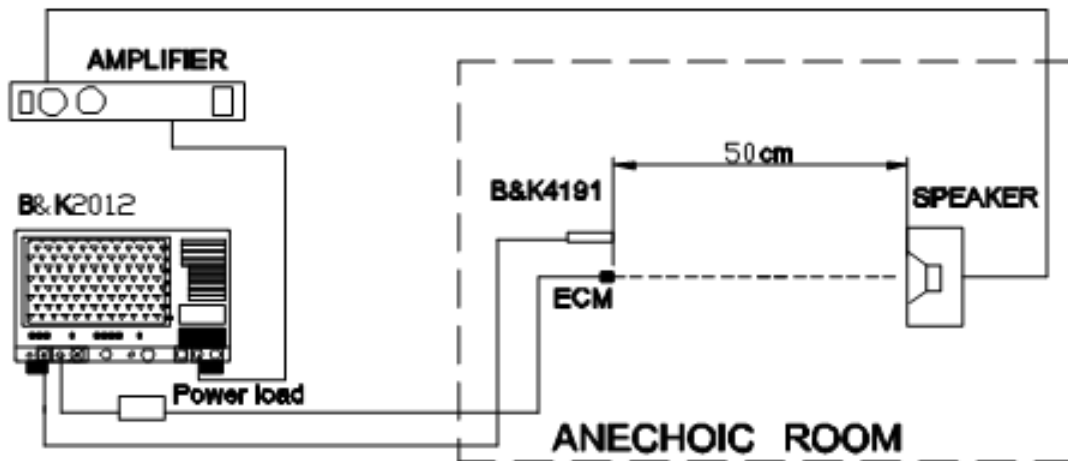


MEASUREMENT CIRCUIT



$R_L = 2.2K\Omega$
$V_s = 2.0V$
$R_1 = 330\Omega$
$C_1 = 10000PF$
$C = 1\mu F$

MEASUREMENT SETUP DRAWING



APPROVAL

DRAWN BY	AR, December 12, 2023
APPROVED BY	CP, December 12, 2023
REVISION	A, Initial Release

