

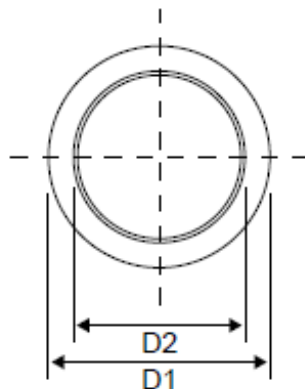


### Electrical Specifications

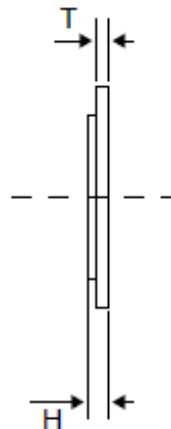
PARAMETERS		VALUE	UNIT
Frequency		7000±1000	Hz
Capacitance	@ 100Hz	13000±30%	pF
Resonant Impedance, max		800	Ω
Insulation Resistance, min		100	MΩ
Input Voltage, max		30	Vp-p
Heat Test	Must be Normal , 24h	+70±3	°C
Cold Test	Must be Normal , 24h	-20±3	°C
Humidity Test	+40±3 °C, R.H, 24h	92 ~ 95	%
Terminal		Nil	-
Metal Material		Brass	-
Metal Color		Golden	-
Operating Temperature Range		-20 ~ +60	°C
Storage Temperature Range		-20 ~ +70	°C

### Dimension

TOP VIEW



SIDE VIEW



Diameter (D1)	[+/-0.1mm]	10
Ceramic Diameter (D2)	[+/-0.5mm]	7
Metal Thickness (T)	[+/-0.03mm]	0.05
Total Height (H)	[+/-0.05mm]	0.1

Unit: mm

- **APPROVAL**

DRAWN BY	AR, December 05, 2023
APPROVED BY	CP, December 05, 2023
REVISION	A, Initial Release

Raltron Electronics / RAMI Technology USA, LLC, including its affiliates, employees, agents and other persons acting on its behalf (collectively Raltron/RAMI Tech), disclaim any and all liability for any errors or inaccuracies contained in this data sheet. While Raltron/RAMI Tech has made every reasonable effort ensure the accuracy of all product information, specifications and data contained herein, Raltron/RAMI Tech does not guarantee that the information is accurate, reliable or current. The product information is provided only for reference purposes only and is subject to change, correction or revision, at any time without notice. Raltron/RAMI Tech does not assume any liability arising out of an application or use of any product described herein and disclaims any warranties expressed or implied. The user of products in such applications shall assume all risks of such use and will agree to hold Raltron/RAMI Tech, harmless against all damages.

Copyright © 2016, Raltron Electronics / RAMI Technology USA, LLC. All rights reserved. No part of this document may be reproduced in any form without the prior written permission of Raltron Electronics / RAMI Technology USA, LLC.