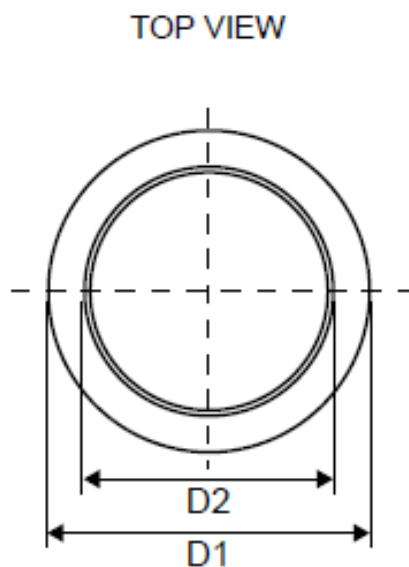




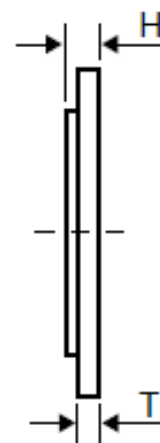
Electrical Specifications

PARAMETERS		VALUE	UNIT
Frequency		40000±2500	Hz
Capacitance	@ 100Hz	2300±30%	pF
Resonant Impedance, max		1000	Ω
Insulation Resistance, min		100	MΩ
Input Voltage, max		30	Vp-p
Terminal		Nil	-
Metal Material		Brass	-
Metal Color		Golden	-
Operating Temperature Range		-20 ~ +60	°C
Storage Temperature Range		-20 ~ +70	°C

Dimension



SIDE VIEW



Diameter (D1)	[+/-0.1mm]	8
Ceramic Diameter (D2)	[+/-0.2mm]	7
Metal Thickness (T)	[+/-0.03mm]	0.20
Total Height (H)	[+/-0.05mm]	0.40

Unit: mm



A **RAMI TECHNOLOGY** Company

PIEZO ELEMENT

Page 2 of 2

RPE-40.000-8004-NS1

- **APPROVAL**

DRAWN BY	AR, December 05, 2023
APPROVED BY	CP, December 05, 2023
REVISION	A, Initial Release

Raltron Electronics / RAMI Technology USA, LLC, including its affiliates, employees, agents and other persons acting on its behalf (collectively Raltron/RAMI Tech), disclaim any and all liability for any errors or inaccuracies contained in this data sheet. While Raltron/RAMI Tech has made every reasonable effort ensure the accuracy of all product information, specifications and data contained herein, Raltron/RAMI Tech does not guarantee that the information is accurate, reliable or current. The product information is provided only for reference purposes only and is subject to change, correction or revision, at any time without notice. Raltron/RAMI Tech does not assume any liability arising out of an application or use of any product described herein and disclaims any warranties expressed or implied. The user of products in such applications shall assume all risks of such use and will agree to hold Raltron/RAMI Tech, harmless against all damages.

Copyright © 2016, Raltron Electronics / RAMI Technology USA, LLC. All rights reserved. No part of this document may be reproduced in any form without the prior written permission of Raltron Electronics / RAMI Technology USA, LLC.